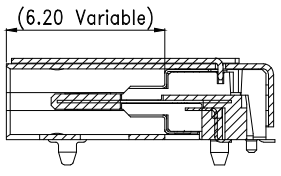
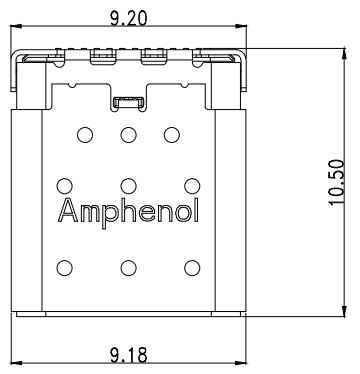


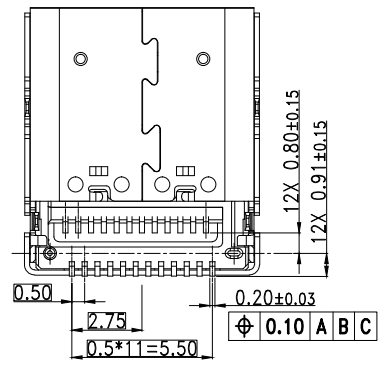
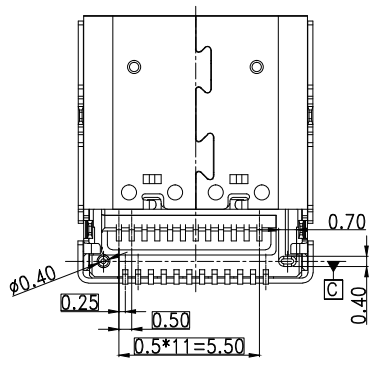
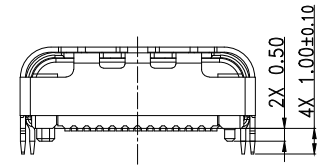
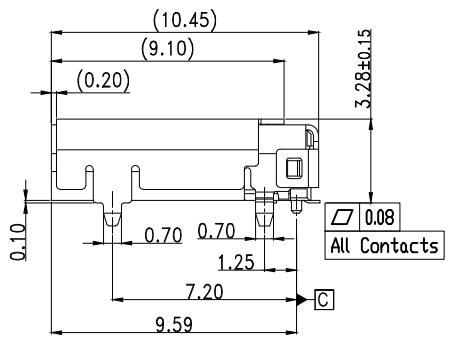
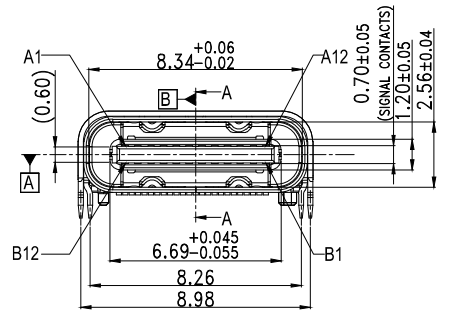
REV.	ECN.NO.	MODIFY.CONTENT	DATE
A		NEW RELEASE	04/28/17
B		Add NO PATTERN AREA	09/09/18
C		Modify the description NO PATTERN AREA => Keep out zone	10/10/18



SECTION A-A



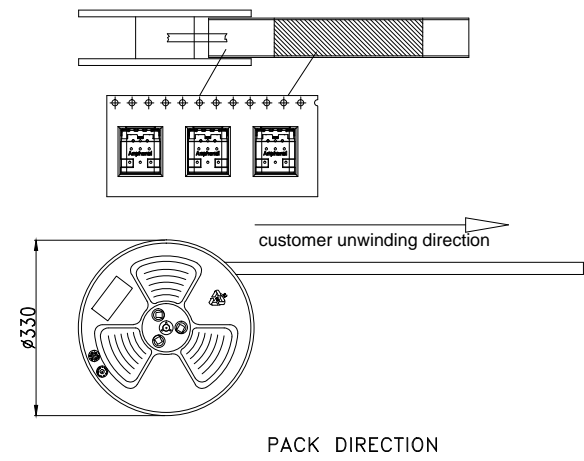
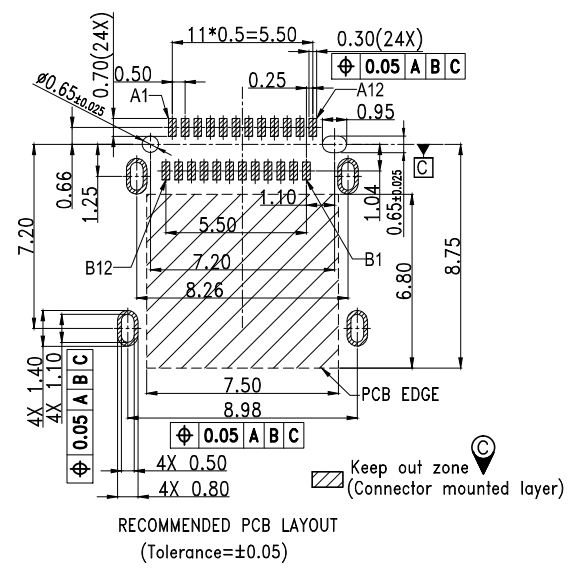
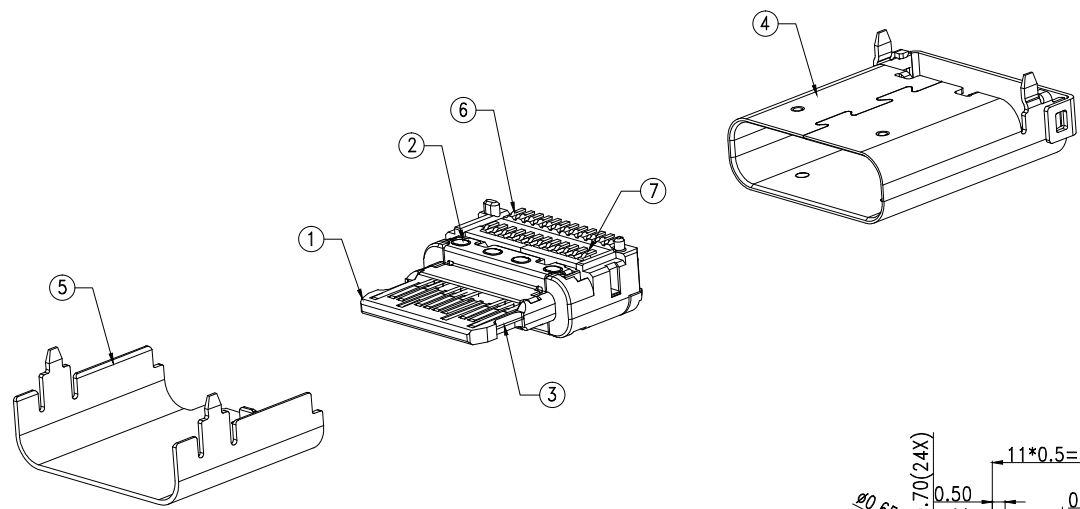
Pin No	Signal Name	Mating Sequence	Pin No	Signal Name	Mating Sequence
A1	GND	First	B12	GND	First
A2	TX1+	Second	B11	RX1+	Second
A3	TX1-	Second	B10	RX1-	Second
A4	Vbus	First	B9	Vbus	First
A5	CC1	Second	B8	SBU2	Second
A6	D+	Second	B7	D-	Second
A7	D-	Second	B6	D+	Second
A8	SBU1	Second	B5	CC2	Second
A9	Vbus	First	B4	Vbus	First
A10	RX2-	Second	B3	TX2-	Second
A11	RX2+	Second	B2	TX2+	Second
A12	GND	First	B1	GND	First
SHELL	GND		SHELL	GND	



- Notes:
- Material :  
Contacts : copper alloy  
Shell : Stainless steel.  
Housing : High-temperature polymer UL94V-0, black.
  - Plating :  
Contacts: contact area 30u" Au, Solder tail gold flash or matte tin, nickel overall.  
Shell : Nickel Plating
  - Coplanarity : 0.08Max.
  - Packaging type: carrier tape.
  - Material should be fulfilled Amphenol spec# SSN002 AND Customer Requirements, for halogen free products, also need to meet SSN004

GENERAL	TOLERANCE	FILE.NO.	12401610	PART.NO.	12401610E4#2A	DRAWN	Allan.Lai	MATERIAL	SCALE	1:1	
x.±0.50	x. ±5°	REV.	C	TITLE	USB TYPE C CONNECTOR	CHECKED	Weison.lu	DATE	10/10/18	UNIT	mm
.x±0.38	.x ±2°	SIZE		SHEET	1 OF 2	APPROVED	Tom	Amphenol Shouhmin Industry			
.xx±0.25	.xx±1°	A4									

REV.	ECN.NO.	MODIFY.CONTENT	DATE
A		NEW RELEASE	04/28/17
B		Add NO PATTERN AREA	09/09/18
C		Modify the description NO PATTERN AREA => Keep out zone	10/10/18



ITEM	DESCRIPTION	Q'TY	MATERIAL	FINISH
7	BOTTOM TERMINAL	1	Copper alloy	CONTACT:30u" AU MIN; SOLDER TAIL:100u" MATTE TIN MIN;
6	TOP TERMINAL	1	Copper alloy	CONTACT:30u" AU MIN; SOLDER TAIL:100u" MATTE TIN MIN;
5	OUTER SHELL	1	Stainless steel	SOLDER NICKEL: 50U" MIN
4	MAIN SHELL	1	Stainless steel	SOLDER NICKEL: 50U" MIN
3	GND SHEET	1	Stainless steel	SOLDER NICKEL: 50U" MIN
2	EMC	2	Stainless steel	SOLDER NICKEL: 50U" MIN
1	MAIN HOUSING	1	Nylon	BLACK

GENERAL	TOLERANCE	FILE.NO.	12401610	PART.NO.	12401610E4#2A	DRAWN	Allan.Lai
x.±0.50	x. ± 5'	REV.	C	TITLE	USB TYPE C CONNECTOR	CHECKED	Weison.lu
.x±0.38	.x ± 2'	SIZE		SHEET	2 OF 2	APPROVED	Tom
.xx±0.25	.xx ± 1'	A4					

BILL OF MATERIAL			
MATERIAL	SCALE	1:1	
DATE	10/10/18	UNIT	mm
Amphenol Shouhmin Industry			