

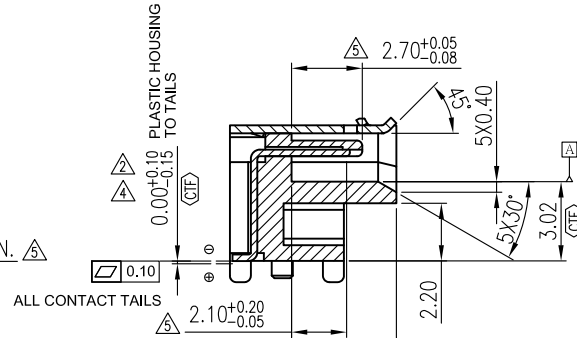
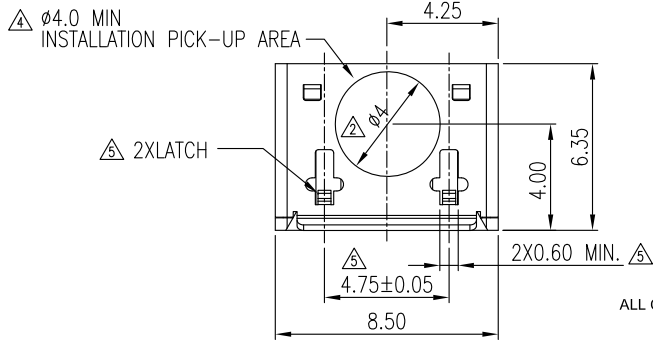
This document is the property of Amphenol Corporation and is delivered on the express condition that is not to be disclosed, reproduced or used, in whole or in part, for manufacture or sale by anyone other than Amphenol Corporation without its prior consent, and that no right is granted to disclose or to use any information in this document.

The marking on this product doesn't contain environmental hazardous materials per Material Specification 55-00259 for Sony GP compliant or per directive 2002/95/EC for RoHS compliant.



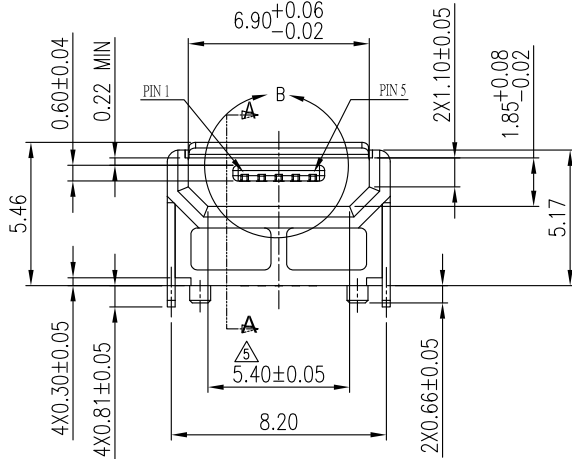
ORIGINAL

REVISIONS				
SYM	ECN No.	DESCRIPTION	DATE	APPROVED
A		RELEASE TO PRODUCTION	03/11/2009	Hank Hsu
B	NE-09107	ADD DIM	06/23/2009	Arron Lin
C	NE-09147	MODIFIED PK LABEL	08/18/2009	Arron Lin
D	NE-09173	MODIFIED PK DRAWING	10/15/2009	Arron Lin
E	NE-10005	MODIFIED PK DRAWING	01/12/2010	Arron Lin

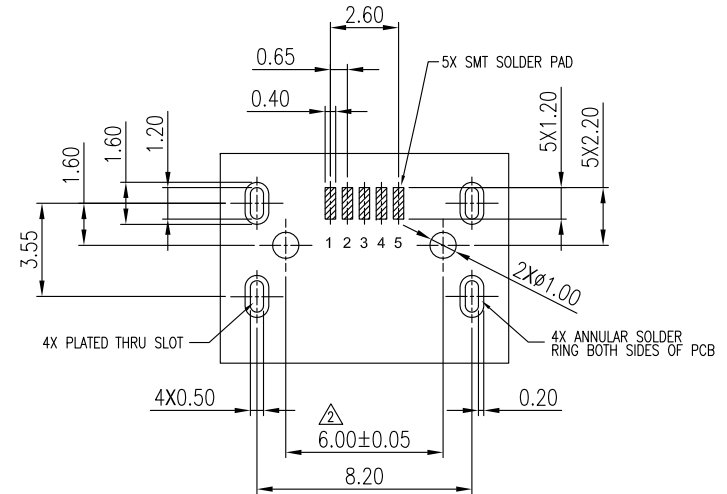
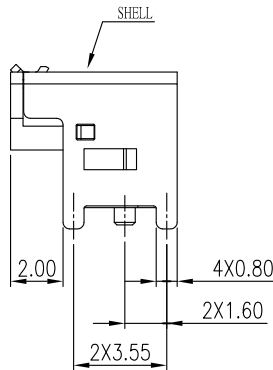


NOTE: UNLESS OTHERWISE SPECIFIED

- MATERIAL:
HOUSING: LCP GLASS FILLED, UL94V-0, COLOR BLACK
SHELL: STAINLESS STEEL SUS301, THICKNESS = 0.30 mm.
CONTACT: COPPER ALLOY, THICKNESS = 0.15 mm.
- FINISH:
CONTACT:
CONTACT AREA: 0.00076mm (0.000030") GOLD
TAIL AREA: 0.00381mm (0.000150") TIN MINIMUM
UNDER PLATE: 0.00127mm (0.000050") NICKEL MINIMUM
SHELL: NICKEL PLATING
- INSERTION AND EXTRACTION FORCE SPECIFICATIONS AS TESTED IN ACCORDANCE WITH EIA 364-13:
INSERTION: 35 N MAXIMUM FORCE
8 N MINIMUM FORCE AFTER 5,000 INSERTION/EXTRACTION CYCLES
EXTRACTION: 10 N MINIMUM FORCE INITIAL
- CONNECTOR MUST BE RoHS COMPLIANT.
- CONNECTOR MUST COMPLY WITH THE UNIVERSAL SERIAL BUS SPECIFICATION REVISION 2.0.
- FINISHED PART SHALL CONFORM TO ENVIRONMENTAL GUIDE LINES FOR MATERIAL AND COMPONENTS PER WDC SPECIFICATION 2096-001669.
- CONNECTORS TO BE PACKAGED IN TAPE AND REEL.
- THE INDICATED INSTALLATION PICK-UP AREA TO BE FREE OF HOLES, PROTRUSIONS, AND RECESSED FEATURES.
- CRITICAL DIMENSION (CTF) SHOULD BE CONTROLLED BY SPC
- PACKING: PLEASE REFER TO PKS-GMCB05001



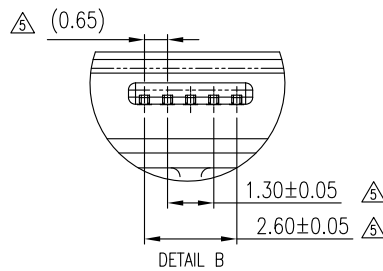
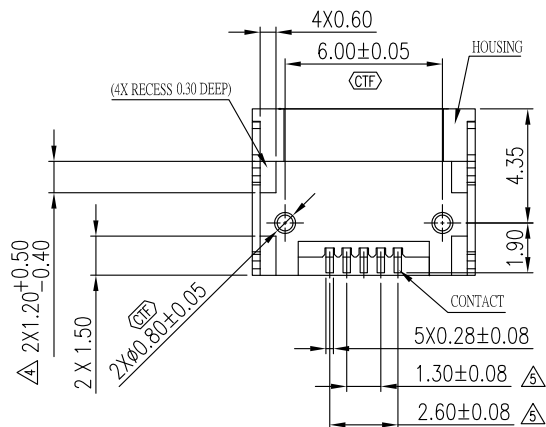
SECTION A-A



RECOMMENDED PCB LAYOUT

COMPONENT SIDE SHOWN

TOLERANCES ARE ±0.05 UNLESS OTHERWISE SPECIFIED



TOLERANCE	APPROVALS	DATE	TITLE	Amphenol®			
X. X.X ±0.30 X.XX ±0.13 X.XXX ±0.10	DRAWN Daniel Hsieh CHECKED Roger Tsai	01/12/2010 01/12/2010	MICRO USB RECEPTABLE SMT R/A HI-RISE	Amphenol Corporation Amphenol Taiwan Corporation			
ANGULAR ±1°	APPROVED Arron Lin	01/12/2010		UNIT mm SCALE NA	SIZE A3 SHEET 1 OF 2	PART No. GMCB05821124EU	REV. E
UNLESS OTHERWISE SPECIFIED	DWG TYPE CUST DWG	PROJECT CODE OTHER			DWG No. GMCB05821124EU		

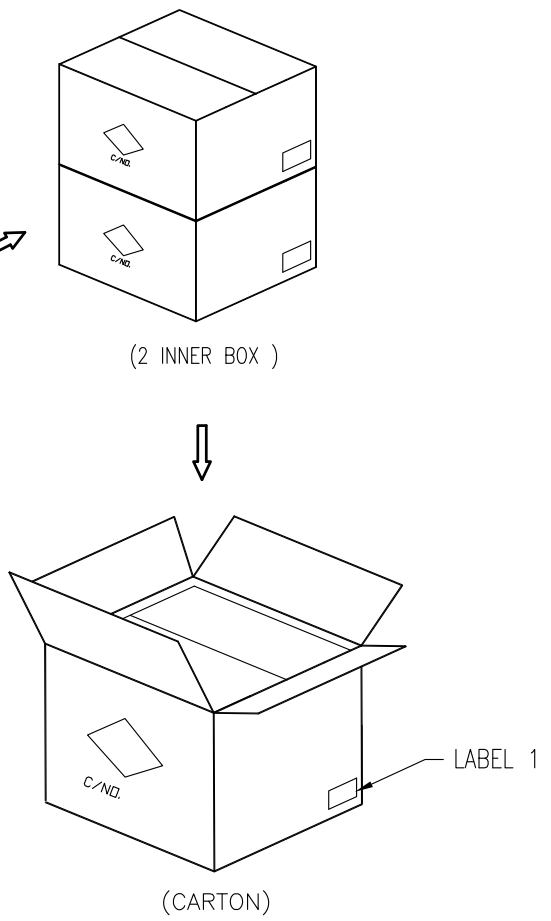
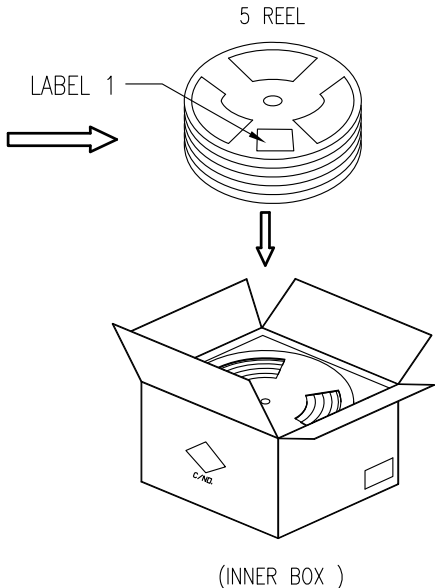
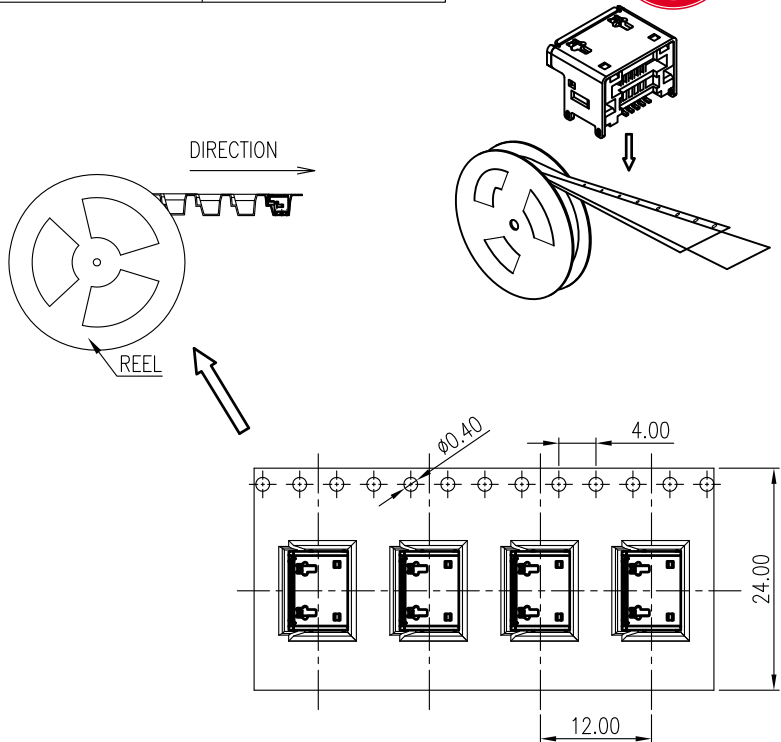
This document is the property of Amphenol Corporation and is delivered on the express condition that is not to be disclosed, reproduced or used, in whole or in part, for manufacture or sale by anyone other than Amphenol Corporation without its prior consent, and that no right is granted to disclose or to use any information in this document.

The marking on this product doesn't contain environmental hazardous materials per Material Specification 55-00259 for Sony GP compliant or per directive 2002/95/EC for RoHS compliant.



ORIGINAL

REVISIONS				
SYM	ECN No.	DESCRIPTION	DATE	APPROVED
A		RELEASE TO PRODUCTION	03/11/2009	Hank Hsu
B	NE-09107	ADD DIM	06/23/2009	Arron Lin
C	NE-09147	MODIFIED PK LABEL	08/18/2009	Arron Lin
D	NE-09173	MODIFIED PK DRAWING	10/15/2009	Arron Lin
E	NE-10005	MODIFIED PK DRAWING	01/12/2010	Arron Lin



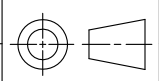
LABEL 1

Amphenol East Asia Electronic Technology(Shen Zhen)Co.,Ltd.
 NXX 4041-705037-000 B YYYYMMDD
 (F) CUST PROD ID: 4041-705037-000
 (Q) QUANTITY: 8000 (T) DATECODE: YYYYMMDD
 (1T) LOT CODE: XXXXXX
 (1P) Amphenol P/N : GMCB05821124EU

RoHS
HF

Code: 39 OR 128

G.W		8.7 Kg			
N.W		3.5 Kg			
TOLERANCE		APPROVALS		DATE	
X.		DRAWN	Daniel Hsieh	01/12/2010	
X.X	±0.30	CHECKED	Roger Tsai	01/12/2010	
X.XX	±0.13	APPROVED	Arron Lin	01/12/2010	
X.XXX	±0.10	DWG TYPE	CUST DWG	PROJECT CODE	OTHER
ANGULAR	±1°			UNIT	mm
UNLESS OTHERWISE SPECIFIED				SCALE	NA
				SHEET	2 OF 2
				PART No.	PKS-GMCB05001
				DWG No.	PKS-GMCB05001
				REV.	E



Amphenol®

Amphenol Corporation
Amphenol Taiwan Corporation

MICRO USB RECEPTABLE
MICRO FOR GMCB05821124EU