

ORIGINAL

This document is the property of Amphenol Corporation and is delivered on the express condition that is not to be disclosed, reproduced or used, in whole or in part, for manufacture or sale by anyone other than Amphenol Corporation without its prior consent, and that no right is granted to disclose or to use any information in this document.

The marking on this product doesn't contain environmental hazardous materials per Material Specification SS-00259 for Sony GP compliant or per directive 2011/65/EU for RoHS compliant.

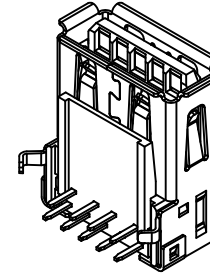
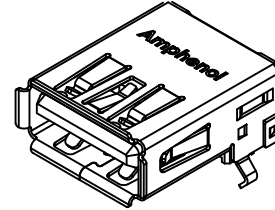
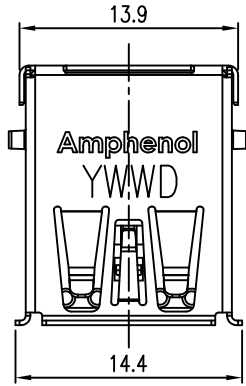
PART NUMBER: GSB3 111 X X X HR SOLDER TAIL LENGTH / PACKAGE OPTION

CONTACT FINISH
 1: GOLD FLASH
 2: 15μ" GOLD
 3: 30μ" GOLD

PART NO	DIM. E	DIM. F	PACKAGE
GSB3111XXHR	2.40	3.20	TRAY
GSB3111XX1HR	3.00	3.60	TRAY
GSB3111XX3HR	2.17	3.20	TRAY
GSB3111XX5HR	2.40	3.20	T&R
GSB3111XX6HR	3.00	3.60	T&R
GSB3111XX7HR	2.17	3.20	T&R

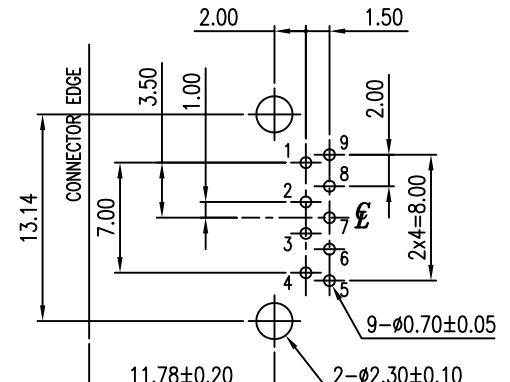
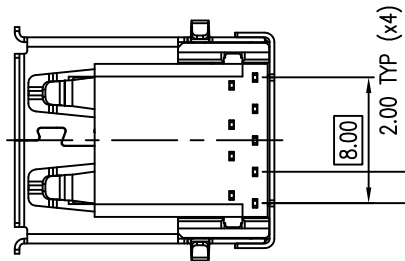
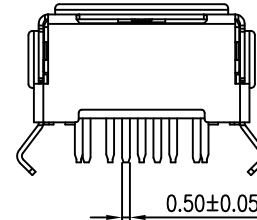
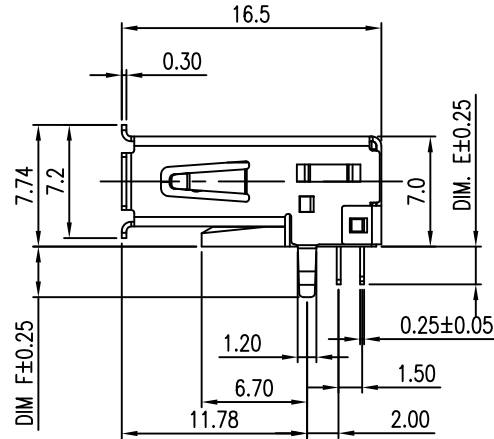
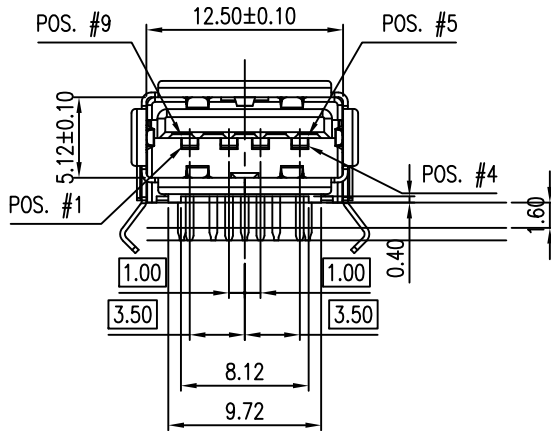
INSULATOR AND COLOR
 1: LCP, Blue
 3: LCP, Black

REVISIONS				
SYM	ECN No.	DESCRIPTION	DATE	APPROVED
F	NE-11115	MODIFIED DRAWING	08/22/2011	Sondra Sang
A1	NE-13107	MODIFIED PINS & ADDED DIMENSION	07/09/2013	Sondra Sang
B1	NE-13138	ADDED COLOR OPTIONS AND DIMENSIONS	08/22/2013	Sondra Sang
C1	NE-13175	CANCELED PIN LENGTH OPTIONS	10/29/2013	Sondra Sang
D1	NE-14166	ADDED SOLDER TAIL LENGTH OPTION	10/29/2013	Sondra Sang
E1	NE-16213	ADD D/C T&R /REMOVE NYLON /COMBINE SD	09/14/2016	Arron Lin



PIN #	SIGNAL NAME
1	VBUS
2	D-
3	D+
4	GND
5	SSRX-
6	SSRX+
7	GND_DRAIN
8	SSTX-
9	SSTX+
SHELL	SHIELD

PIN ASSIGNMENT



RECOMMENDED PCB LAYOUT- TOP VIEW
 (OTHER GENERAL TOLERANCES: ±0.05)

- NOTES:
- HOUSING: HIGH TEMPERATURE THERMOPLASTIC OPTIONS UL 94V-0 COLOR-OPTIONS
 - BOTTOM COVER: HIGH TEMPERATURE THERMOPLASTIC, UL 94V-0, COLOR:OPTIONS
 - CONTACT: COPPER ALLOY, 0.25mm THICKNESS, SELECTIVE GOLD PLATING ON CONTACT AREA, 120μ" MIN. MATTE TIN PLATED ON SOLDERING TAIL, 80μ" MIN. NICKEL UNDER-PLATED OVERALL
 - METAL SHELL: COPPER ALLOY, 0.3mm THICKNESS, 50μ" MIN. NICKEL UNDER-PLATED OVERALL
 - THIS PRODUCT DOESN'T CONTAIN ENVIRONMENTAL HAZARDOUS PER DIRECTIVE 2011/65/EU FOR RoHS COMPLIANT.
 - P/N: GSB31113XXXHR PRODUCT SPECIFICATION REFER TO: PS-7411
 P/N: GSB31111XXXHR/GSB31112XXXHR PRODUCT SPECIFICATION REFER TO: PS-7440

TOLERANCE	APPROVALS	DATE	TITLE	UNIT	SIZE	PART No.
X. ±0.30	DRAWN Debby Hung	09/14/2016	USB 3.0 CONNECTOR STANDARD A R/A DIP TYPE	mm	A3	GSB3111XXXHR
X.X ±0.20				CHECKED Roger Tsai	09/14/2016	
X.XX ±0.10	APPROVED Arron Lin	09/14/2016		NA	1 OF 3	
ANGULAR ±1°	DWG TYPE CUST DWG	PROJECT CODE OTHER				DWG No. GSB3111XXXHR
UNLESS OTHERWISE SPECIFIED						REV. E1

Amphenol®

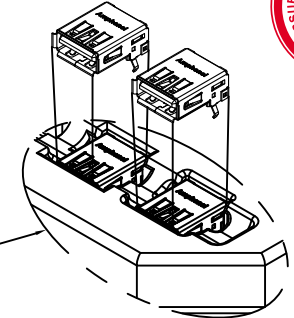
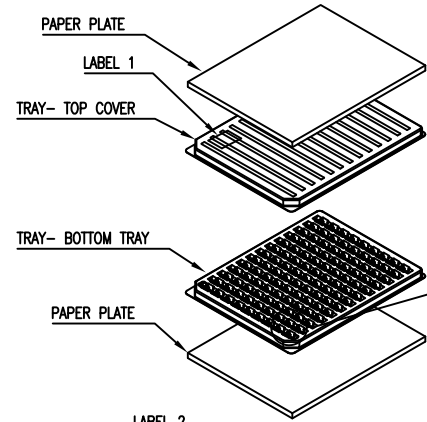
Amphenol Corporation
 Amphenol Taiwan Corporation

This document is the property of Amphenol Corporation and is delivered on the express condition that is not to be disclosed, reproduced or used, in whole or in part, for manufacture or sale by anyone other than Amphenol Corporation without its prior consent, and that no right is granted to disclose or to use any information in this document.

The marking on this product doesn't contain environmental hazardous materials per Material Specification SS-00259 for Sony GP compliant or per directive 2011/65/EU for RoHS compliant.

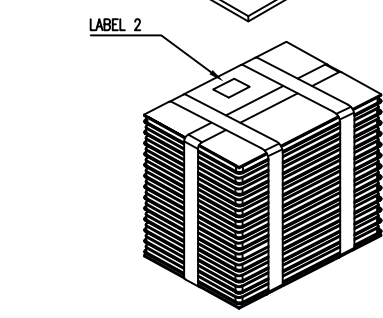
REVISIONS				
SYM	ECN No.	DESCRIPTION	DATE	APPROVED
F	NE-11115	MODIFIED DRAWING	08/22/2011	Sondra Sang
A1	NE-13107	MODIFIED PINS & ADDED DIMENSION	07/09/2013	Sondra Sang
B1	NE-13138	ADDED COLOR OPTIONS AND DIMENSIONS	08/22/2013	Sondra Sang
C1	NE-13175	CANCELED PIN LENGTH OPTIONS	10/29/2013	Sondra Sang
D1	NE-14166	ADDED SOLDER TAIL LENGTH OPTION	10/29/2013	Sondra Sang
E1	NE-16213	ADD D/C T&R /REMOVE NYLON /COMBINE SD	09/14/2016	Arron Lin

ORIGINAL

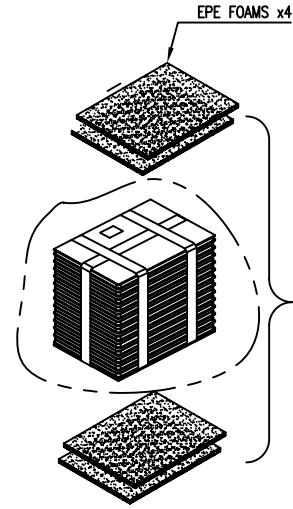


PN : GSBX1113XXHR	LABEL 1 = QTY : 117 LABEL 2 = QTY : 2340
QTY : 117	
P/O : 411-012345-001	
DATE : 07 / 31 / 2009	
MM / DD / YYYY	
G.W : 15.00 KG	HF
Amphenol Taiwan Corporation	

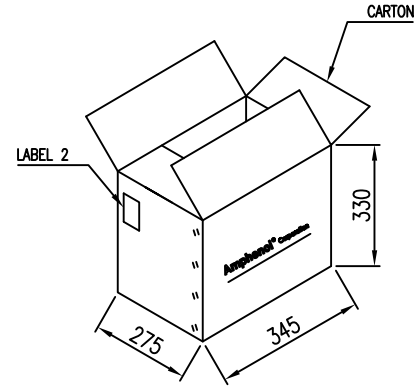
LABEL 1 & LABEL 2



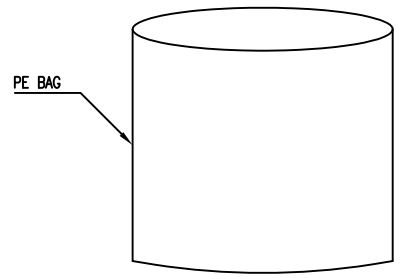
TOTAL 20 LAYERS TRAYS



EPE FOAMS x4



- NOTES:
1. MATERIAL: TRAY- PET
 2. THICKNESS: 0.80 mm MINIMUM
 3. THE BARCODE MUST BE 3 OF 9 BARCODE
 4. COMPONENTS LOAD PER THE TRAY: 117 PCS.
 5. THIS PRODUCT DOESN'T CONTAIN ENVIRONMENTAL HAZARDOUS MATERIALS PER DIRECTIVE 2011/65/EU FOR RoHS COMPLIANT
 6. TRAY SIZE : 333 X 265 X 15.6 mm



PE BAG

PART NO.	PCS. / TRAY	TRAY / CARTCON	N.W.	G.W.
GSBX1113XXHR	117 PCS.	117X20=2340 PCS.	6.0	9.4

(****) FOR REFERENCE

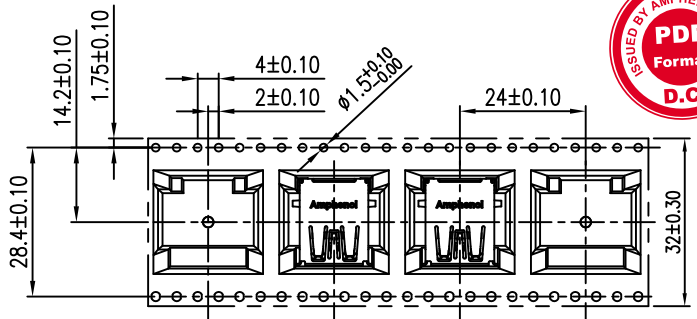
TOLERANCE	APPROVALS	DATE	TITLE		Amphenol®	
X. ±0.30	DRAWN Debby Hung	09/14/2016	USB 3.0 CONNECTOR STANDARD A R/A DIP TYPE		Amphenol Corporation Amphenol Taiwan Corporation	
X.X ±0.20	CHECKED Roger Tsai	09/14/2016				
X.XXX ±0.10	APPROVED Arron Lin	09/14/2016				
ANGULAR ±1°	DWG TYPE CUST DWG	PROJECT CODE OTHER	UNIT mm	SIZE A3	PART No. GSB31113XXHR	
UNLESS OTHERWISE SPECIFIED			SCALE NA	SHEET 2 OF 3	DWG No. GSB31113XXHR REV. E1	

This document is the property of Amphenol Corporation and is delivered on the express condition that is not to be disclosed, reproduced or used, in whole or in part, for manufacture or sale by anyone other than Amphenol Corporation without its prior consent, and that no right is granted to disclose or to use any information in this document.

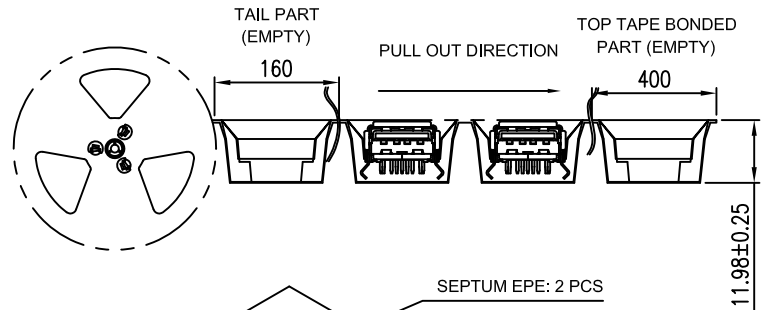
The marking on this product doesn't contain environmental hazardous materials per Material Specification SS-00259 for Sony GP compliant or per directive 2011/65/EU for RoHS compliant.

ORIGINAL

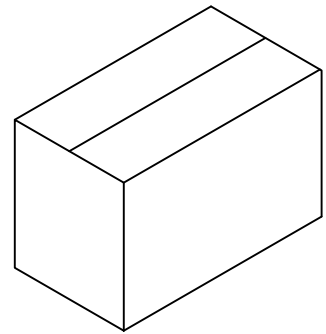
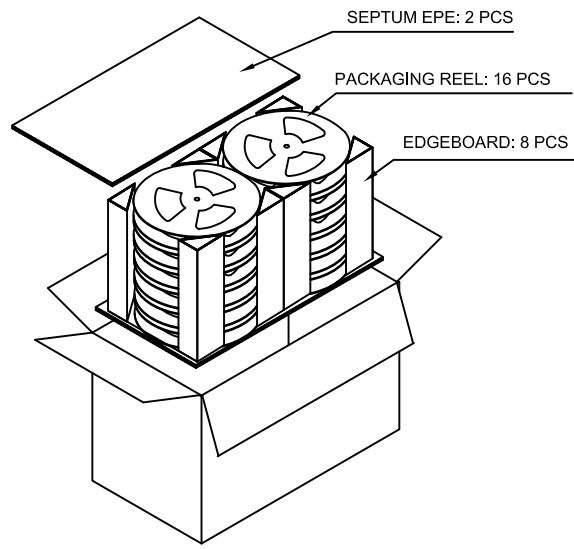
REVISIONS				
SYM	ECN No.	DESCRIPTION	DATE	APPROVED
F	NE-11115	MODIFIED DRAWING	08/22/2011	Sondra Sang
A1	NE-13107	MODIFIED PINS & ADDED DIMENSION	07/09/2013	Sondra Sang
B1	NE-13138	ADDED COLOR OPTIONS AND DIMENSIONS	08/22/2013	Sondra Sang
C1	NE-13175	CANCELED PIN LENGTH OPTIONS	10/29/2013	Sondra Sang
D1	NE-14166	ADDED SOLDER TAIL LENGTH OPTION	10/29/2013	Sondra Sang
E1	NE-16213	ADD D/C T&R /REMOVE NYLON /COMBINE SD	09/14/2016	Arron Lin



REEL SIZE	PARTS PER CARTON<S.P.Q>	PARTS PER REEL	TOTEL REEL PER CARTON
ø330	3520	220	16



- NOTES:
1. STAPLES SHOULD ONLY BE USED TO SET UP CARTON. ALL CARTON CLOSURES MUST BE DONE WITH TAPE.
 2. FILL PACKAGING TRAYS WITH THE QUANTITIES AS INDICATED IN THE CHART.
 3. SHIPPING CARTON DIMENSION: 690 X 360 X 325mm.
 4. NET WEIGHT: 8.4 KG. GROSS WEIGHT: XX KG.



TOLERANCE	APPROVALS	DATE	TITLE		PART No.	
X. ±0.30	DRAWN Debby Hung	09/14/2016	USB 3.0 CONNECTOR STANDARD A R/A DIP TYPE		Amphenol® Amphenol Corporation Amphenol Taiwan Corporation	
X.X ±0.20	CHECKED Roger Tsai	09/14/2016				
X.XXX ±0.10	APPROVED Arron Lin	09/14/2016				
ANGULAR ±1°	DWG TYPE CUST DWG	PROJECT CODE OTHER	UNIT mm	SCALE NA	SIZE A3	SHEET 3 OF 3
UNLESS OTHERWISE SPECIFIED					REV. E1	