

FOR 15P

REMARK:

1. CHARACTERISTICS:

RATED VOLTAGE: 250V
 RATED CURRENT: 2.5AMP
 CONTACT RESISTANCE: 25mohms MAX. INITIAL, 40mohms MAX. AFTER.
 INSULATION RESISTANCE: 5000Mohms MIN. at 500V DC
 DIELECTRIC STRENGTH: 750VRMS
 OPERATING TEMPERATURE RANGE: -55° C~105° C
 INSERTION/EXTRACTION FORCE PER CONTACT: 5N Max./0.2N Min.
 MATING/UNMATING CYCLES: 200MATINGS MIN FOR GOLD-FLASH 500MATINGS MIN FOR 30u" GOLD.

2. MATERIAL:

INSULATORS: THERMOPLASTIC G.F(UL94V-0) BLACK
 CONTACTS: COPPER ALLOY, GOLD(G/F or 30u") TOP OVER CONTACT AREA, 100u" Min MATTE TIN TOP OVER SOLDER AREA, 50u" Min NICKEL UNDER PLATE.
 SHELL: CARBON STEEL, 100u" Min NICKEL TOP OVER, 50u" Min COPPER UNDER PLATE.
 HARPOON: COPPER ALLOY, 100u" Min MATTE TIN PLATED.

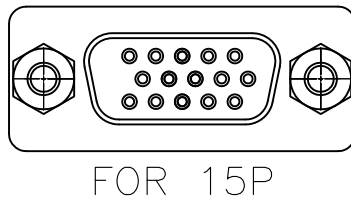
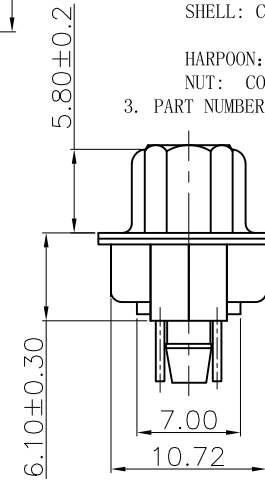
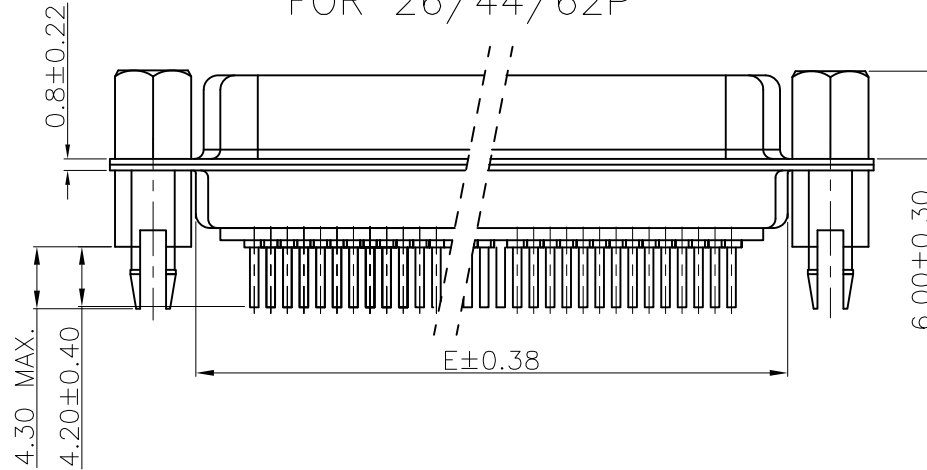
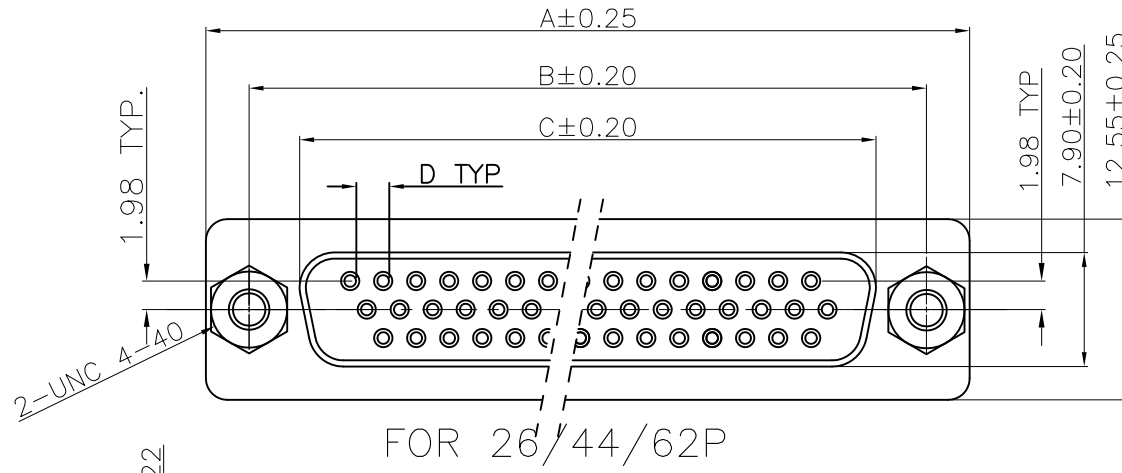
3. PART NUMBER DESCRIPTION: **10090929-S XX X X LF**

SERIES NO. _____ LF: ROHS COMPLIANT
 TYPE _____ FLANGE MOUNTING OPTION
 S: SOCKET (FEMALE) _____ X: UNC #4-40 CLINCHNUTS
 L: M3 CLINCHNUTS
 NUMBER OF CONTACTS _____ CONTACT FINISH
 15: 15-PIN _____ 4: FLASH GOLD
 26: 26-PIN _____ 6: 30u" GOLD
 44: 44-PIN _____
 62: 62-PIN _____

POS.	PART NO.	THREAD TYPE
15	10090929-S15*LLF	M3X0.5
26	10090929-S26*LLF	M3X0.5
44	10090929-S44*LLF	M3X0.5
62	10090929-S62*LLF	M3X0.5
15	10090929-S15*XLf	UNC #4-40
26	10090929-S26*XLf	UNC #4-40
44	10090929-S44*XLf	UNC #4-40
62	10090929-S62*XLf	UNC #4-40

POS.	A	B	C	D	E
15	30.81	24.99	16.33	2.29	19.10
26	39.24	33.32	24.66	2.29	27.75
44	53.04	47.04	38.38	2.29	41.30
62	69.32	63.50	54.84	2.41	57.40

mat'l. code				tolerances unless otherwise specified				CUSTOMER COPY		FCI		www.fciconnect.com		
ltr	ecn no	dr	date	linear	.X ± 0.38			projection	title					
A	T09-1156	J.H	12/10/09		.XX ± 0.25					H/D D-SUB FEMALE STRAIGHT	product family		code	
B	T10-0164	J.H	10/19/10		.XXX ± 0.10						D-SUB		TWN	
				angles	0° ±2°			MM	size	dwg no	sheet			
				dr	JASON HSU	10/19/10	scale				A4	10090929	1 of 5	
				enr	JASON HSU	10/19/10								
				chr	GARY HSIEH	10/19/10								
				appd	JOSEPH HSIA	10/19/10								
sheet index	revision sheet	B 1	B 2	B 3	B 4	B 5								



REMARK:

1. CHARACTERISTICS:

RATED VOLTAGE: 250V
 RATED CURRENT: 2.5AMP
 CONTACT RESISTANCE: 25mohms MAX. INITIAL,
 40mohms MAX. AFTER.
 INSULATION RESISTANCE: 5000Mohms MIN. at 500V DC
 DIELECTRIC STRENGTH: 750VRMS
 OPERATING TEMPERATURE RANGE: -55° C~105° C
 INSERTION/EXTRACTION FORCE PER CONTACT: 5N Max. /0.2N Min.
 MATING/UNMATING CYCLES: 200MATINGS MIN FOR GOLD-FLASH
 500MATINGS MIN FOR 30u" GOLD.

2. MATERIAL:

INSULATORS: THERMOPLASTIC G.F(UL94V-0) BLACK
 CONTACTS: COPPER ALLOY, GOLD(G/F or 30u") TOP OVER CONTACT
 AREA, 100u" Min MATTE TIN TOP OVER SOLDER AREA,
 50u" Min NICKEL UNDER PLATE.
 SHELL: CARBON STEEL, 100u" Min NICKEL TOP OVER,
 50u" Min COPPER UNDER PLATE.
 HARPOON: COPPER ALLOY, 100u" Min MATTE TIN PLATED.
 NUT: COPPER ALLOY, 50u" Min NICKEL PLATED.

3. PART NUMBER DESCRIPTION: 10090929-S XX X X LF

SERIES NO. _____ LF: ROHS COMPLIANT
 TYPE _____ FLANGE MOUNTING OPTION
 S: SOCKET (FEMALE) V: UNC #4-40 SCREWLOCKS
 NUMBER OF CONTACTS _____ CONTACT FINISH
 15: 15-PIN 4: FLASH GOLD
 26: 26-PIN 6: 30u" GOLD
 44: 44-PIN
 62: 62-PIN

POS.	A	B	C	D	E
15	30.81	24.99	16.33	2.29	19.10
26	39.24	33.32	24.66	2.29	27.75
44	53.04	47.04	38.38	2.29	41.30
62	69.32	63.50	54.84	2.41	57.40

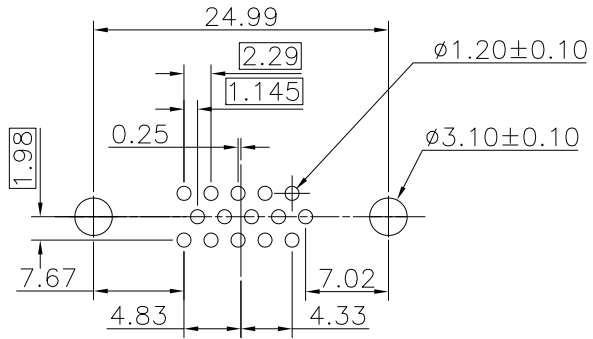
mat'l. code				tolerances unless otherwise specified		CUSTOMER COPY		 www.fciconnect.com	
ltr	ecn no	dr	date	linear	.X ± 0.38	projection		title	
B					.XX ± 0.25			H/D D-SUB FEMALE STRAIGHT	
					.XXX ± 0.10			product family D-SUB	
				angles	0° ±2°	MM	scale	size	dwg no
				dr	JASON HSU 10/19/10	1:1	A4	10090929	code
				enr	JASON HSU 10/19/10				TWN
				chr	GARY HSIEH 10/19/10				sheet
				appd	JOSEPH HSIA 10/19/10				2 of 5
sheet index	revision sheet								



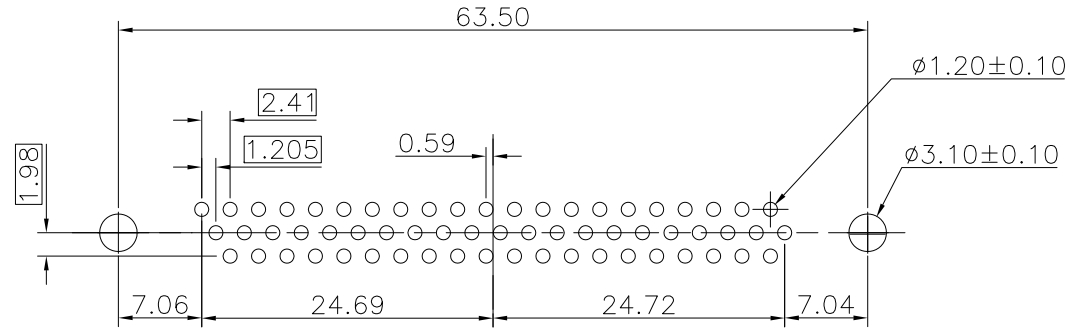
1 | 2

3 |

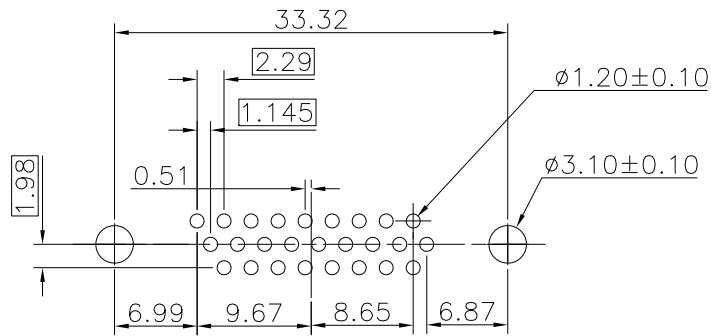
4



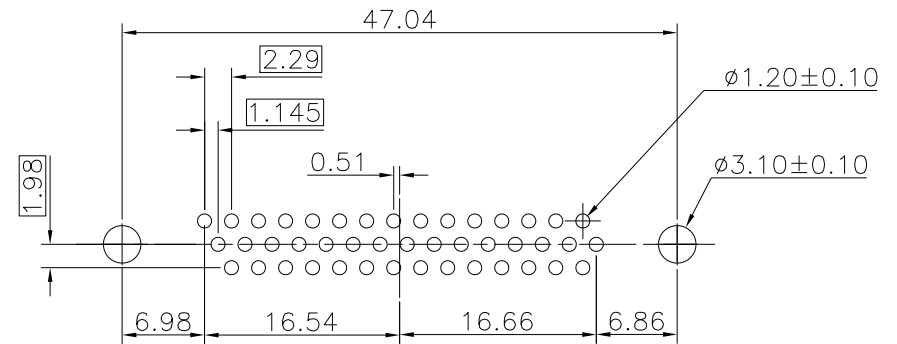
P.C.B LAYOUT (FOR 15P)



P.C.B LAYOUT (FOR 62P)



P.C.B LAYOUT (FOR 26P)



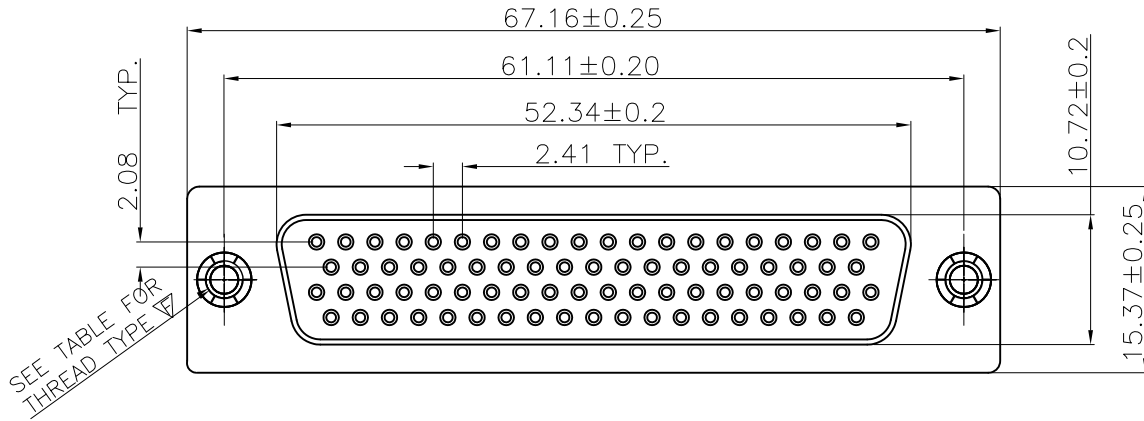
P.C.B LAYOUT (FOR 44P)

mat'l. code				tolerances unless otherwise specified			CUSTOMER COPY		 www.fciconnect.com			
ltr	ecn no	dr	date	linear	.X \pm 0.38		projection	title				
B					.XX \pm 0.25				H/D D-SUB FEMALE STRAIGHT PCB			
					.XXX \pm 0.10				product family D-SUB		code	
				angles	0° \pm 2°		MM		size	dwg no	sheet	
				dr	JASON HSU	10/19/10	scale		A4		10090929	3 of 5
				enr	JASON HSU	10/19/10	1:1					
				chr	GARY HSIEH	10/19/10						
				appd	JOSEPH HSIA	10/19/10						
sheet index	revision sheet											

1 | 2

3 |

4



REMARK:

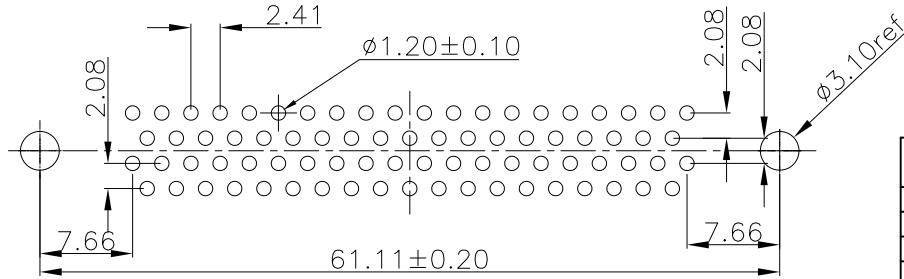
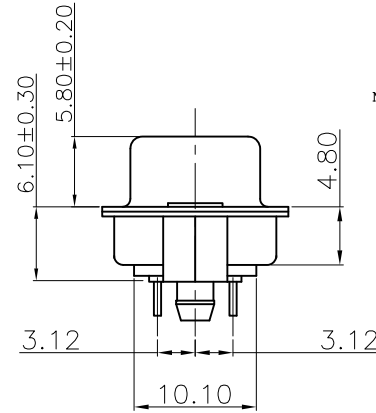
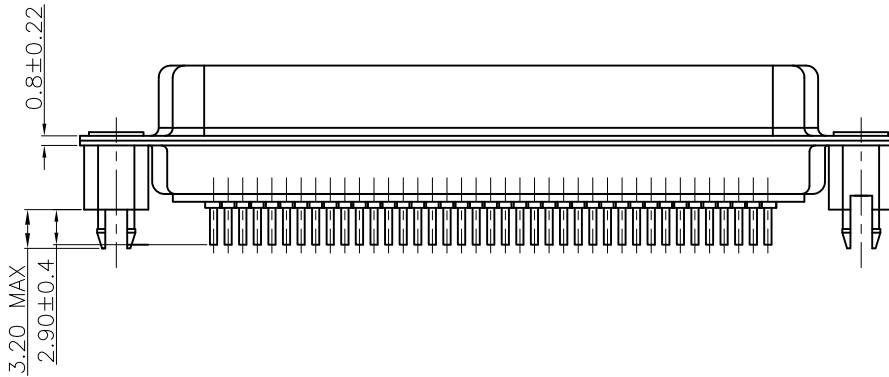
- CHARACTERISTICS:
 RATED VOLTAGE: 250V
 RATED CURRENT: 2.5AMP
 CONTACT RESISTANCE: 35mohms MAX. INITIAL, 50mohms MAX. AFTER.
 INSULATION RESISTANCE: 5000Mohms MIN. at 500V DC
 DIELECTRIC STRENGTH: 750VRMS
 OPERATING TEMPERATURE RANGE: -55° C~105° C
 INSERTION/EXTRACTION FORCE PER CONTACT: 5N Max./0.2N Min.
 MATING/UNMATING CYCLES: 200MATINGS MIN FOR GOLD-FLASH, 500MATINGS MIN FOR 30u" GOLD.

2. MATERIAL:

- INSULATORS: THERMOPLASTIC G, F (UL94V-0) BLACK
- CONTACTS: COPPER ALLOY, GOLD(G/F or 30u") TOP OVER CONTACT AREA, 100u" Min MATTE TIN TOP OVER SOLDER AREA, 50u" Min NICKEL UNDER PLATE.
- SHELL: CARBON STEEL, 100u" Min NICKEL TOP OVER, 50u" Min COPPER UNDER PLATE.
- HARPOON: COPPER ALLOY, 100u" Min MATTE TIN PLATED.

3. PART NUMBER DESCRIPTION: **10090929-S XX X X LF**

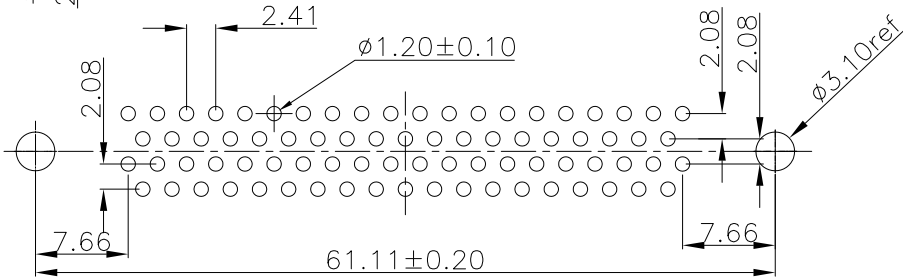
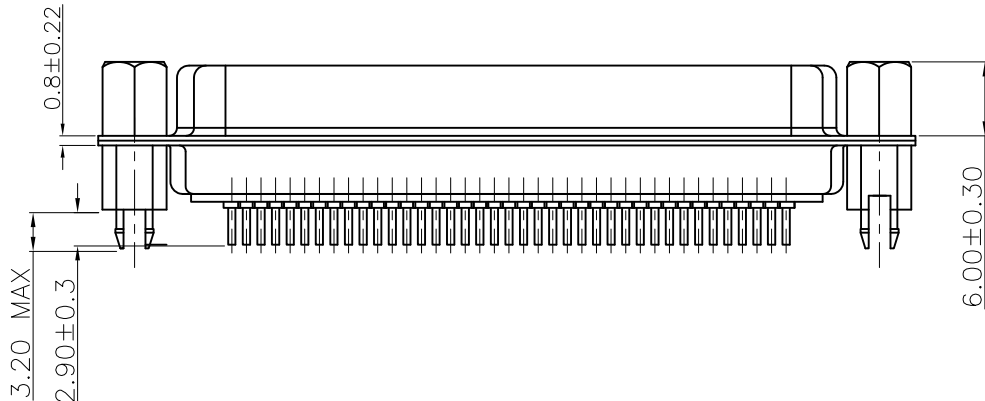
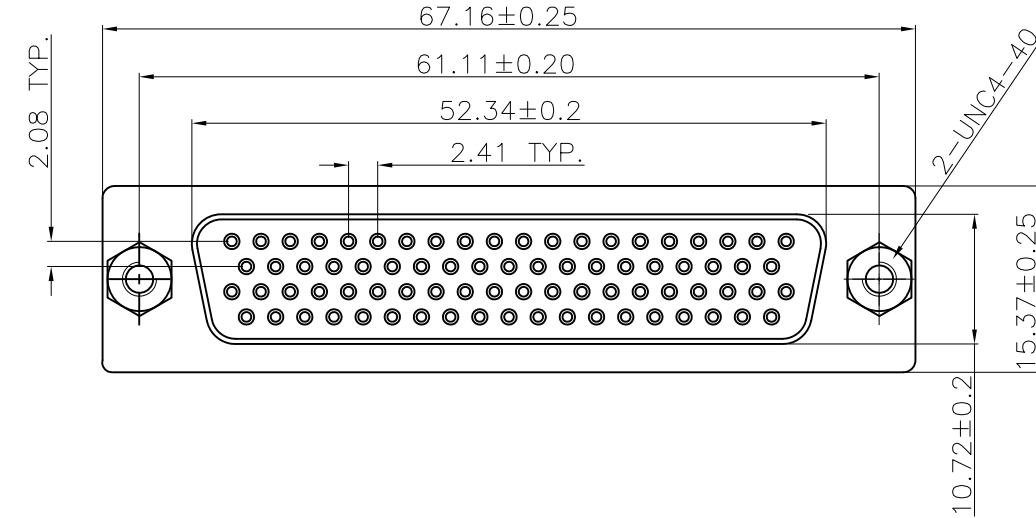
SERIES NO.	LF: ROHS COMPLIANT
TYPE S: SOCKET (FEMALE)	FLANGE MOUNTING OPTION X: UNC #4-40 CLINCHNUTS L: M3 CLINCHNUTS
NUMBER OF CONTACTS 78: 78-PIN	CONTACT FINISH 4: FLASH GOLD 6: 30u" GOLD



P.C.B LAYOUT

POS.	PART NO.	THREAD TYPE
78	10090929-S78*LLF	M3X0.5
78	10090929-S78*XLF	UNC #4-40

mat'l. code				tolerances unless otherwise specified			CUSTOMER COPY		FCI www.fciconnect.com	
ltr	ecn no	dr	date	linear	.X ± 0.38	projection		title		
B					.XX ± 0.25			H/D D-SUB FEMALE STRAIGHT		
					.XXX ± 0.10			product family D-SUB		
				angles	0° ±2°	MM	scale	A4	10090929	code TWN
				dr	JASON HSU 10/19/10		1:1			sheet 4 of 5
				enr	JASON HSU 10/19/10					
				chr	GARY HSIEH 10/19/10					
				appd	JOSEPH HSIA 10/19/10					
sheet index	revision sheet									



P.C.B LAYOUT

REMARK:

1. CHARACTERISTICS:

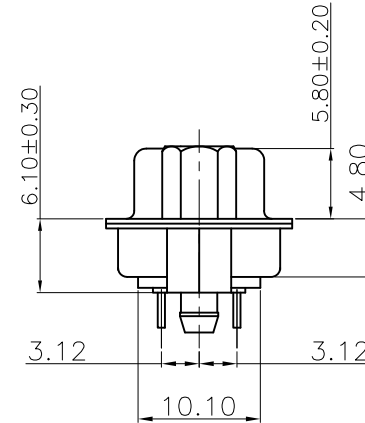
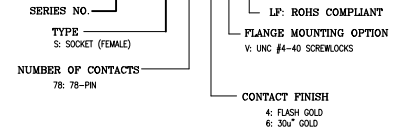
- RATED VOLTAGE: 250V
- RATED CURRENT: 2.5AMP
- CONTACT RESISTANCE: 35mohms MAX. INITIAL, 50mohms MAX. AFTER.
- INSULATION RESISTANCE: 5000Mohms MIN. at 500V DC
- DIELECTRIC STRENGTH: 750VRMS
- OPERATING TEMPERATURE RANGE: -55° C~105° C
- INSERTION/EXTRACTION FORCE PER CONTACT: 5N Max./0.2N Min.
- MATING/UNMATING CYCLES: 200MATINGS MIN FOR GOLD-FLASH 500MATINGS MIN FOR 30u" GOLD.

2. MATERIAL:

- INSULATORS: THERMOPLASTIC G.F(UL94V-0) BLACK
- CONTACTS: COPPER ALLOY, GOLD(G/F or 30u") TOP OVER CONTACT AREA, 100u" Min MATTE TIN TOP OVER SOLDER AREA, 50u" Min NICKEL UNDER PLATE.
- SHELL: CARBON STEEL, 100u" Min NICKEL TOP OVER, 50u" Min COPPER UNDER PLATE.
- HARPOON: COPPER ALLOY, 100u" Min MATTE TIN PLATED.
- NUT: COPPER ALLOY, 50u" Min NICKEL PLATED.

3. PART NUMBER DESCRIPTION:

10090929-S XX X X LF



PART NO.: 10090929-S78*VLF

mat'l. code				tolerances unless otherwise specified			CUSTOMER COPY		 www.fciconnect.com		
ltr	ecn no	dr	date	linear	.X ± 0.38		projection	title			
B					.XX ± 0.25			H/D D-SUB FEMALE STRAIGHT			
					.XXX ± 0.10						
				angles	0° ±2°						
				dr	JASON HSU	10/19/10	MM		product family	D-SUB	code
				enr	JASON HSU	10/19/10	←		size	dwg no	TWN
				chr	GARY HSIEH	10/19/10	scale		10090929		sheet
				appd	JOSEPH HSIA	10/19/10	1:1		A4		5 of 5
sheet index	revision sheet										