

1

2

3

4

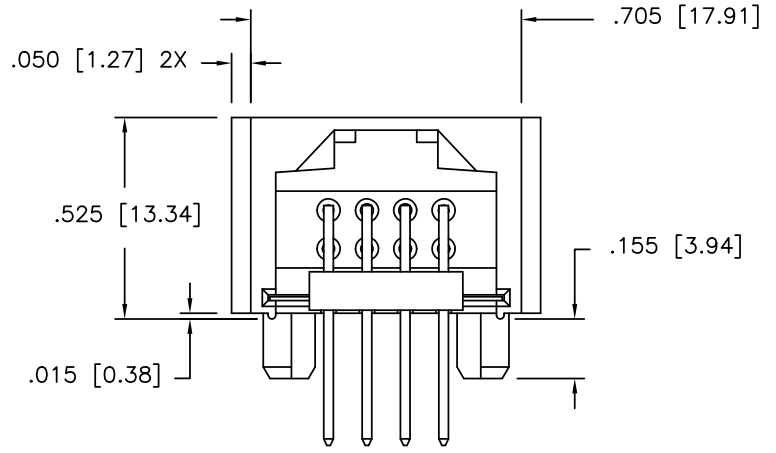
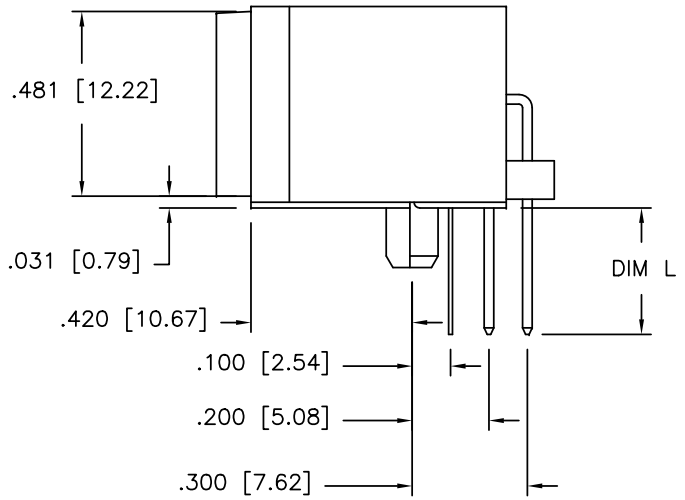
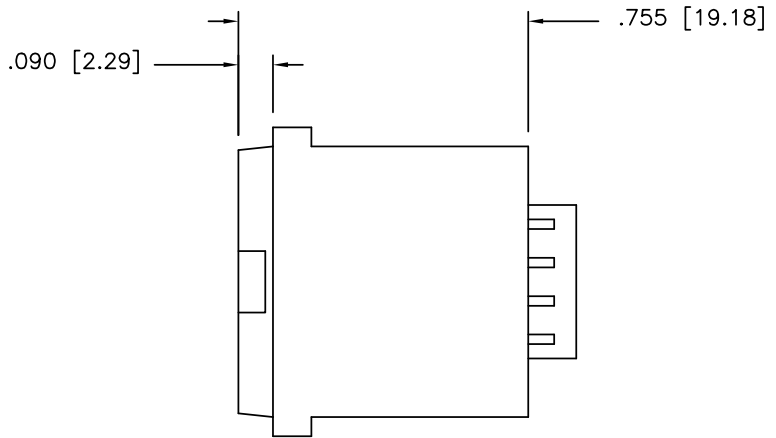
PRODUCT NUMBER
SEE TABLE

A

B

C

D



A

B

C

D



Copyright FCI.

rev	ecn no	dr	date
M	M07-0521	AGS	12/10/07
N	ECN-ELX-N-004176	KW	2011-06-22
H	M05-0033	ERE	2/25/05
J	M05-0052	MHT	3/16/05
K	M06-0285	AGS	7/28/06
L	M06-0365	AGS	9/20/06

www.fciconnect.com		surface ISO 1302	tolerance std ISO 406/ISO 1101	projection ISO 10	INCH/MM
		TOLERANCES UNLESS OTHERWISE SPECIFIED			
Dr	M. CLOUSER	12/22/89	ANGULAR	size	A4
Eng	D. HORCHLER	12/22/89	LINEAR	Scale	1:1
Chr	D. HORCHLER	12/22/89	0° ±2°	ECN-ELX-N-004176	
Appr	D. HORCHLER	12/22/89	Product family		LATCH-N-LOK
		title		Spec ref	
		FCI		69958	
		title		Rev.	
		2X4 LNL LOW PROFILE		N	
		HEADER ASSEMBLY			
		catalog no		CUSTDEM CRPY	
				sheet 1 of 2	

REV F - 2006-04-17

1

2

3

4

PDS: Rev :N

STATUS:Released

Printed: Jun 24, 2011

69958-XXXXLF

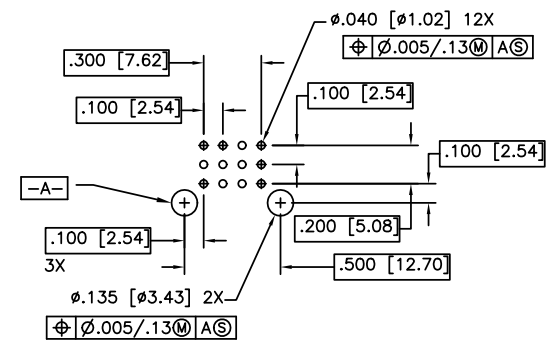
LEAD FREE OPTION ⑥ ⑧

HIGH TEMPERATURE ⑦

COLOR ④		
1	70343-LT GRAY	OBS
2	80166 OFF WHITE	
3	70634-DK GRAY	OBS
4	701 BLACK	
5	70514-SLATE GRAY	OBS
7	70455 SILVER GRAY	
8	80189 PEARL WHITE	OBS
9	70419 PEBBLE GRAY	

PLATING ⑨	
0	30u" GXT
3	30u" AU OVER 50u" NI
5	50u" AU OVER 50u" NI

PIN LENGTH	
	DIM L
0	.200/5.08
	.130/3.30



RECOMMENDED PCB LAYOUT

NOTES:

- HEADER SHROUD
MAT'L: POLYCARBONATE.
94 V-0 RATED
- GROUND CONTACT
MAT'L: COPPER ALLOY
PLATING: 100-160u"/2.54-4.06u TIN.
- SIGNAL CONTACT
MAT'L: COPPER ALLOY
PLATING: 30u"/.76u PALLADIUM ALLOY WITH GOLD
- NUMBERS SHOWN ARE FOR G.E. LEXAN AND ARE FOR REFERENCE ONLY.
- THIS ASSEMBLY UL APPROVED PER FILE E66906 VOL. 1, SEC. 84 AND CSA APPROVED PER MASTER FILE LR46923
- ADD LF SUFFIX AT THE END OF PART NUMBER FOR LEAD FREE OPTION.
- FOR 69958-XXXXLF THE HOUSING WILL WITHSTAND EXPOSURE TO 260°C PEAK TEMPERATURE; FOR 69958-XXXXM CAN WITHSTAND EXPOSURE TO 270°C PEAK TEMPERATURE FOR 15 SECONDS IN A WAVE SOLDER APPLICATION WITH A 1.5mm MINIMUM THICK CIRCUIT BOARD. SEE APPLICATION NOTES/PROCEDURES IF THEY ARE AVAILABLE.
- THIS PRODUCT MEETS EUROPEAN UNION DIRECTIVES AND OTHER COUNTRY REGULATION AS DESCRIBED IN GS-22-008.
- PLATING OPTIONS: MAY BE EITHER GOLD OR GXT PLATED AT MANUFACTURER'S OPTION.
- PRODUCT SPECIFICATION: GS-12-003



Copyright FCI.

www.fciconnect.com			surface ISO 1302	tolerance std ISO 406/ISO 1101	projection ISO 10	INCH/MM	
			TOLERANCES UNLESS OTHERWISE SPECIFIED				
Dr	M. CLOUSER	12/22/89	ANGULAR	LINEAR	0.XX/0.X	±0.01/0.3	size A4
Eng	D. HORCHLER	12/22/89			0.XXX/0.XX	±0.005/0.13	Scale 1:1
Chr	D. HORCHLER	12/22/89	0°	±2°	0.XXXX/0.XXX	±0.0020/0.051	ECN-ELX-N-004176
Appr	D. HORCHLER	12/22/89	Product family LATCH-N-LOK		Spec ref		
FCI			title 2X4 LNL LOW PROFILE		dwg no 69958		Rev. N
			catalog no		CUSTDEM CRPY		sheet 2 of 2