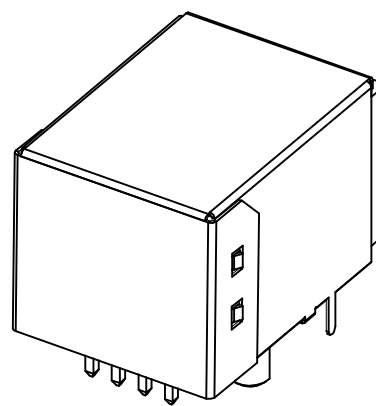
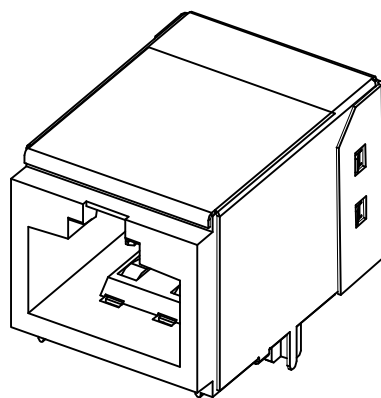


PRODUCT NUMBER
74355

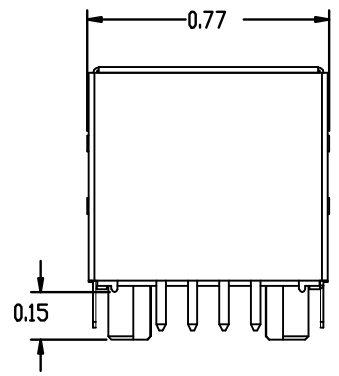
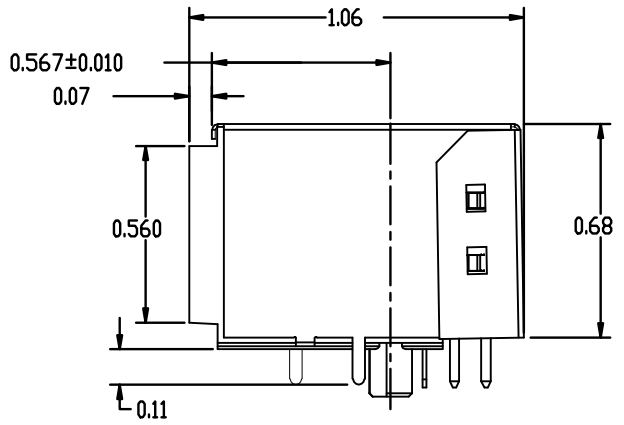
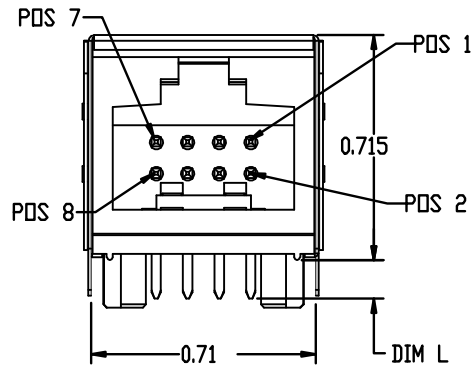
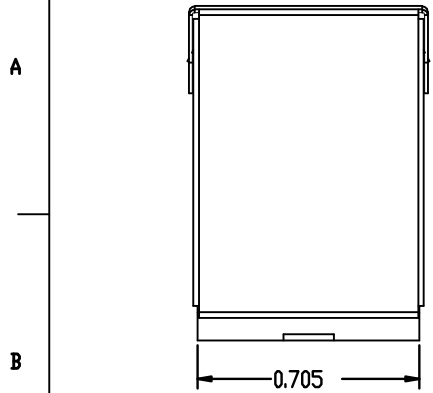


Copyright FCI

rev	ecn no	dr	date
H	V00632	TFG	03/06/00
J	V02267	RGD	11/9/00
K	M05-0023	MHT	2/18/05
L	M05-0033	MHT	3/03/05
M	M06-0365	AGS	9/27/06
N	M07-0372	MHT	2007-08-21
P	M09-0048	MHT	2009-03-12

www.fciconnect.com		surface ASN Y145	tolerance std ASME Y14.5	projection ASME Y14.5	INCH
TOLERANCES UNLESS OTHERWISE SPECIFIED		ANGULAR	LINEAR	size A4	Scale 2:1
Dr T.DIAMOND	2/24/98	0.X	±.01	ECN	M09-0048
Eng B.BRUBAKER	2/24/98	0.XX	±.005	Spec ref	-
Chr B.BRUBAKER	7/6/98	0.XXX	±.0020		
Appr B.BRUBAKER	7/6/98	Product family			
FCI title 2 X 4 LNL SHIELDED HEADER ASSEMBLY		ding no 74355		Rev. P	
catalog no		CUSTOMER		sheet 1 of 5	

PRODUCT NUMBER
74355



Copyright FCI

	title 2 X 4 LNL SHIELDED HEADER ASSEMBLY	dwg no 74355	Rev. P
	catalog no	- CUSTOMER	sheet 2 of 5
	-		

1 2 3 4

COMPONENT SIDE

A

A

B

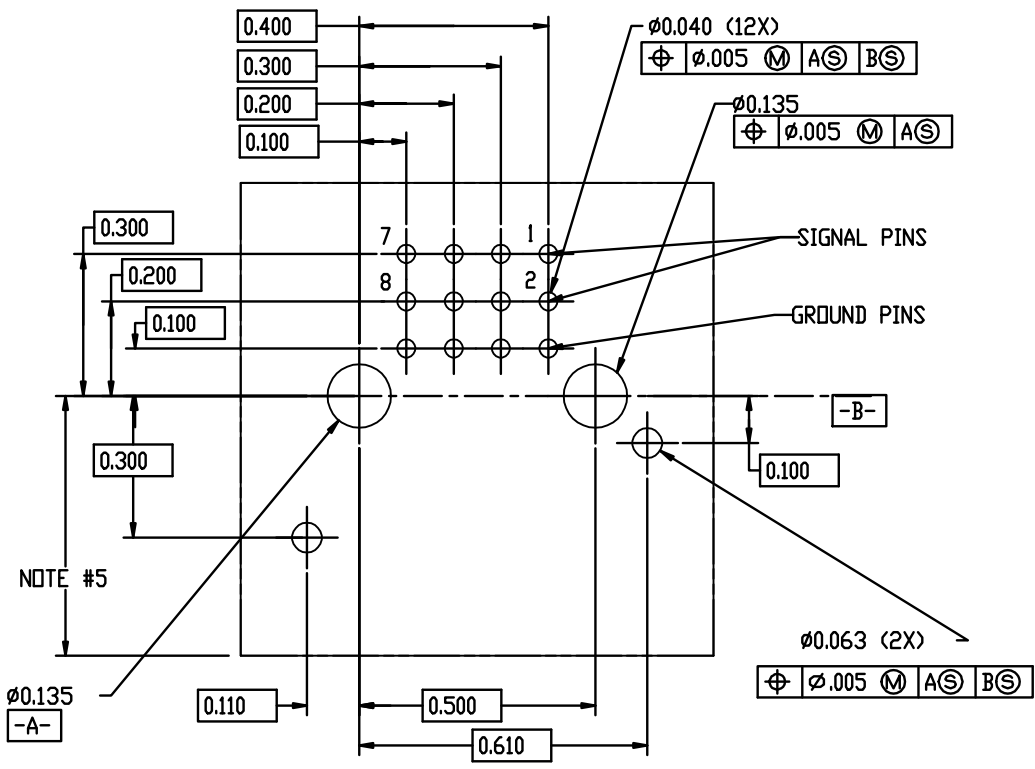
B

C

C

D

D



Copyright FCI

	title	2 X 4 LNL SHIELDED HEADER ASSEMBLY	ding no	74355	Rev.	P
	catalog no	-	CUSTOMER	sheet 3 of 5		

REV F - 888447

1 2 3 4

1

2

3

4

A

A

B

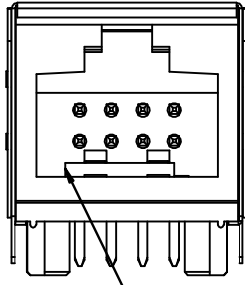
B

C

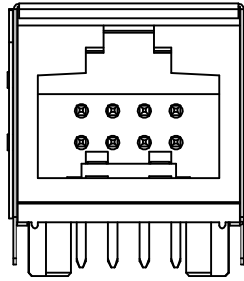
C

D

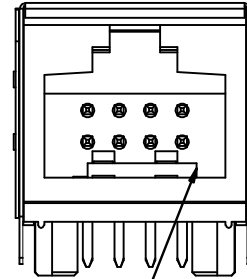
D



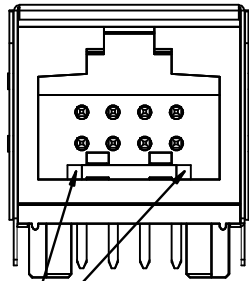
KEY POSITION 1
SCALE 2:1



NO KEY
SCALE 2:1



KEY POSITION 2
SCALE 2:1



KEY POSITION 3



Copyright FCI

REV 7 - 000007

1

2

3

4

	title 2 X 4 LNL SHIELDED HEADER ASSEMBLY	dwg no 74355	Rev. P
	catalog no -	CUSTOMER	sheet 4 of 5

74355-XYZZLF

LEAD FREE OPTION(NOTES 9 & 10)

KEY POSITION (NOTE 7)

- STD NO KEY	(NOTE 8)
1-KEY POSITION 1	(NOTE 7)
2-KEY POSITION 2	(NOTE 7)
3-KEY POSITION 3	(NOTE 7)

COLOR

01	LIGHT GRAY	OBS.
02	OFF WHITE	
03	DARK GRAY	OBS.
04	BLACK	
05	SLATE GRAY	OBS.
07	SILVER GRAY	
08	PEARL WHITE	OBS.
09	PEBBLE GRAY	

PIN LENGTH LEY (DIM L)

0	.200/5.08
1	.130/3.30

NOTES:

1. HEADER SHROUD
MAT'L: UNFILLED POLYCARBONATE,
94V-0 RATED.
2. GROUND CONTACT
MAT'L: 3/4 HARD PHOS. BRONZE
PLATING: 100-160 MICRO"/2.54-4.06 MICRON Sn.
3. SIGNAL CONTACT
MAT'L: 3/4 HARD PHOS. BRONZE
PLATING: 30 MICRO"/.76 MICRON GOLD OR GXT
OVER 50 MICRO"/1.27 MICRON NICKEL
4. HEADER SHIELD
MAT'L: FULL HARD BRASS C260
PLATING: 100 MICRO"/2.54 MICRON BRIGHT
TIN OVER 50 MICRO"/1.27 MICRON NICKEL
5. LOCATION DIMENSION FROM EDGE OF PCB
TO BE DETERMINED BY CUSTOMER.
6. THIS ASSEMBLY IS UL RECOGNIZED PER FILE
E66906, VOL. 1, SECT 40 AND CSA
APPROVED PER MASTER FILE NO. LR 46923-162
7. MUST USE PLUG OF THE SAME KEY.
KEYED PLUGS WILL MATE WITH STANDARD HEADER.
8. OMIT 4th DIGIT FOR STD NO KEY PRODUCT
9. ADD LF SUFFIX AT THE END OF PART NUMBER FOR LEAD FREE OPTION
10. THIS PRODUCT MEETS EUROPEAN UNION DIRECTIVES AND OTHER
COUNTRY REGULATION AS DESCRIBED IN GS-22-008.
11. PLATING OPTIONS:
MAY BE EITHER GOLD OR GXT PLATED AT MANUFACTURER'S OPTION.
12. PART NUMBER WITH SUFFIX 'A' IS CUSTOM TO INTENDED FOR FMLB
EXAMPLE: 74355-1041ALF



Copyright FCI

	title 2 X 4 LNL SHIELDED HEADER ASSEMBLY	dng no 74355	Rev. P
	catalog no -	CUSTOMER	sheet 5 of 5

REV F - 888447