

LEAD FREE VERSION

PARTS NUMBER

7332E0225S15LF

7332E0225S15

SEE NOTES

GENERAL :

High cycle life duration smart card connector with semi landing type contacts mechanism. Smart card for reference purpose only.

ELECTRICAL PROPERTIES :

Insulation resistance : > 1000MΩ
Dielectric withstanding voltage : >750 Vrms
Current carrying capacity : Min 10μA, Max 1A
Contact resistance : < 100mΩ

MECHANICAL PROPERTIES :

Operating force : Insertion : F < 10N
Withdrawal : 1 < F < 10N
Contact normal force : 0.2 < F < 0.5N for 0.6mm of deflection
Durability : 50 000 mating cycles

MATERIAL :

Head reader : Pa4/6, Colour Black, Rated UL94V0
Cover : Pa4/6, Colour Grey, Rated UL94V0
Contacts : Copper alloy
Plating : 2.5μm Nickel min. all over
2μm Gold min. on contact area
3μm SnPb(60/40) min. on solder tails
3μm matte tin min. on solder tails(for lead free version)

ENVIRONMENT :

Operating temperature : -20°C / +70°C
Storage temperature : -40°C / +85°C
Climatic condition : UTE 93-421

PACKAGING :

Cavity tray

LEAD FREE VERSION:

"This product meets European Union Directives and other country regulations as described in GS-22-008"

The housing will withstand exposure to 260°C peak temperature for 10seconds in a convection reflow oven.

A

B

C

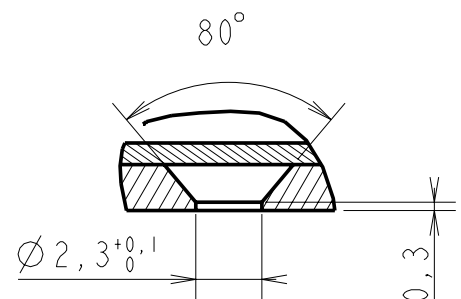
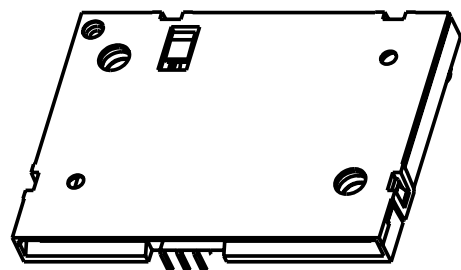
D

A

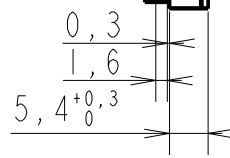
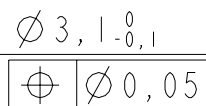
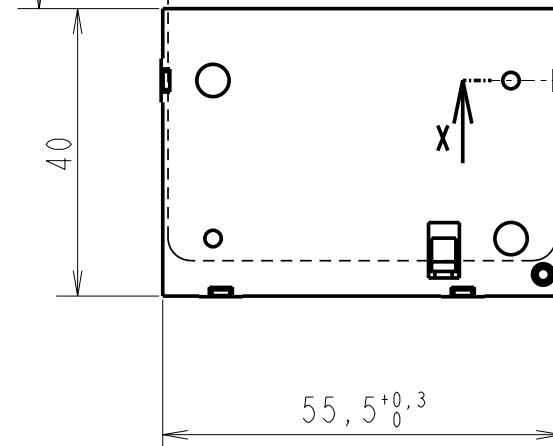
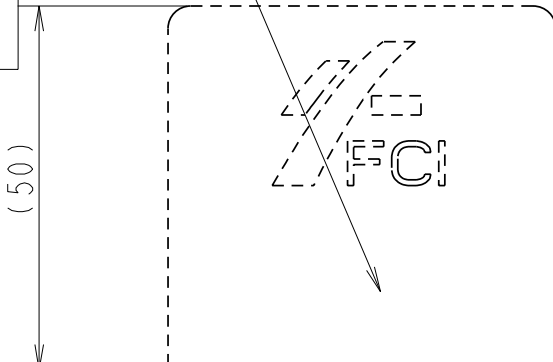
B

C

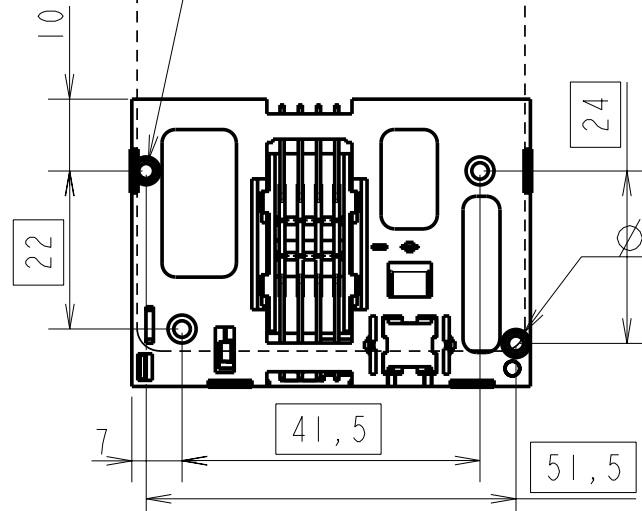
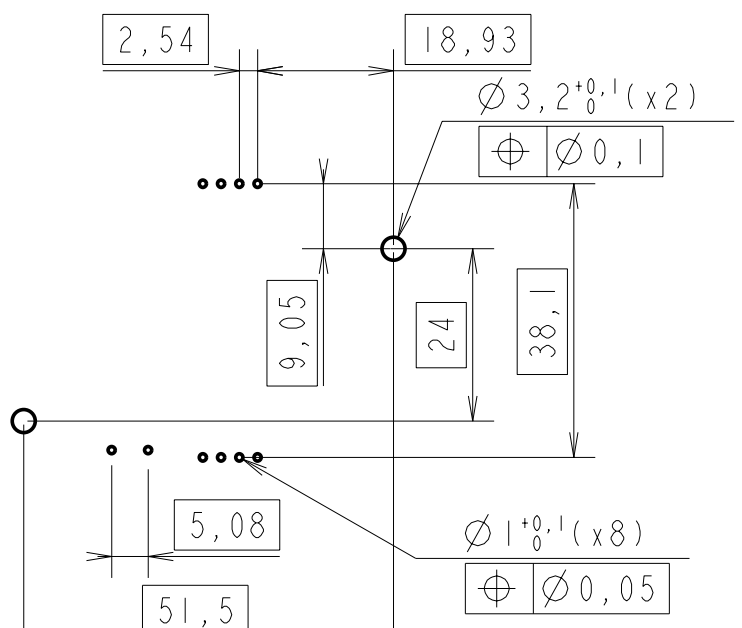
D



SECTION X-X SCALE 4:1



Recommended PCB Layout (Component side)



General Tolerances

Table with 2 columns: Dimension range and Tolerance value.

Revision table with columns: rev, ecn no, dr, date.

Product specification table including website, standards, tolerances, and part numbers.



Copyright FCI.