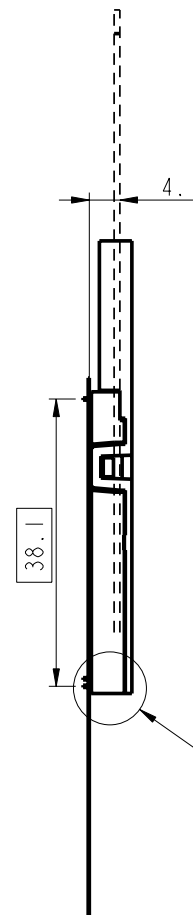
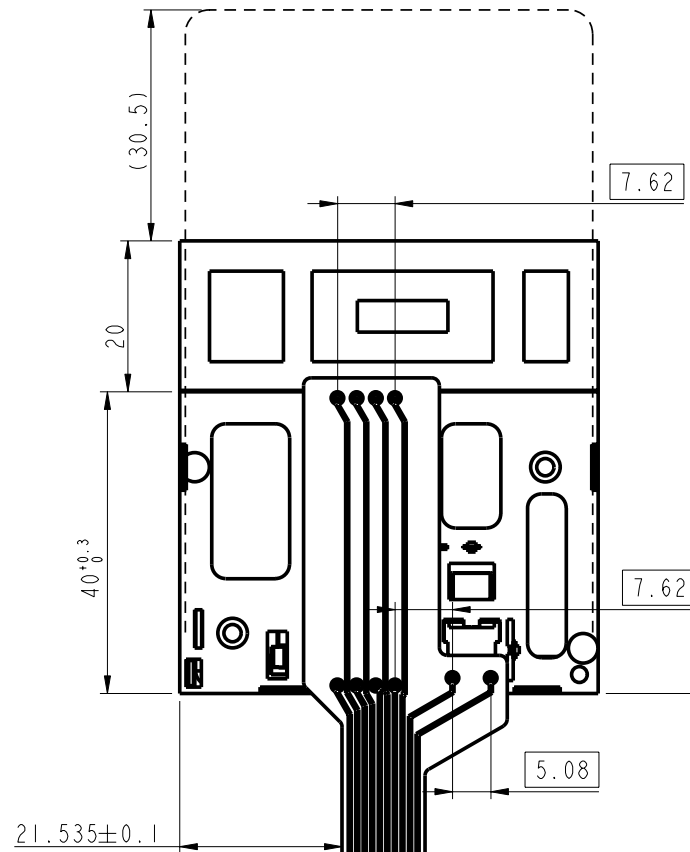
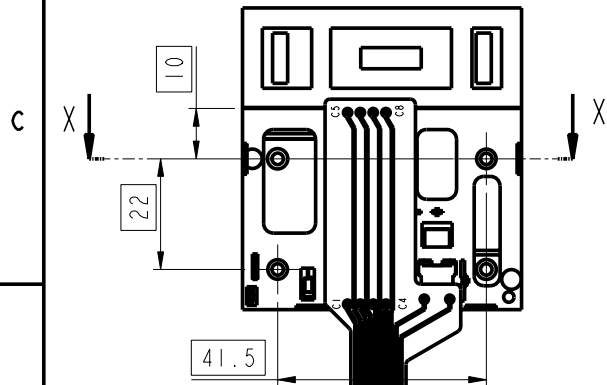
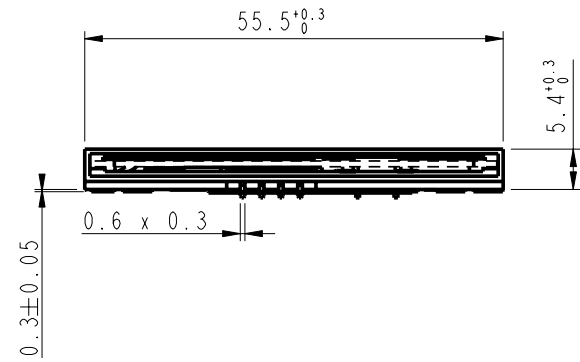
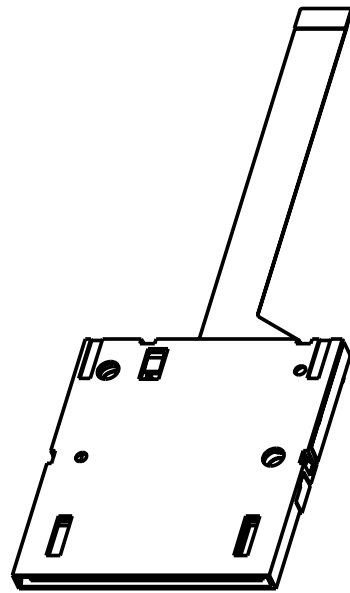


<b>PART NUMBER</b>	<b>LEAD FREE VERSION</b>	<b>DIM L</b>
7361E0525S05	7361E0525S05LF	90



**GENERAL :**  
 High cycle life duration smart card connector with landing type contacts mechanism. The landing type connector also provides the feature of recessed contacts when card is not inserted which protects them against vandalism.  
 Smart card for reference purposes only.

**ELECTRICAL PROPERTIES:**  
 Insulation resistance : > 1000MΩ  
 Dielectric withstanding voltage : >750 Vrms  
 Current carrying capacity : Min 10μA, Max 1A  
 Contact resistance : < 100mΩ

**MECHANICAL PROPERTIES :**  
 Operating force : Insertion : F < 10N  
 Withdrawal : 1 < F < 10N  
 Contact Normal force : 0.2 < F < 0.3 for 0.6mm of deflection  
 Durability : 200 000 mating cycles

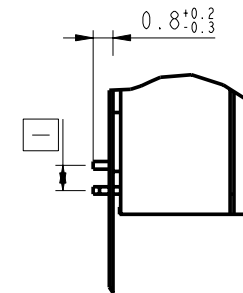
**MATERIAL :**  
 Head reader : Thermoplastic, Colour Grey, Rated UL94V0  
 Cover : Thermoplastic, Colour Black, Rated UL94V0  
 Contacts : Copper alloy,  
 Plating : Gold over Ni or equivalent on contact area  
 SnPb over Ni on solder tails (for leaded version)  
 Matte tin over Ni on solder tails (for lead free version)

**ENVIRONMENT :**  
 Operating temperature : -40°C / +85°C  
 Climatic conditions : UTE 93-421

**PACKAGING :**  
 Plastic cavity tray

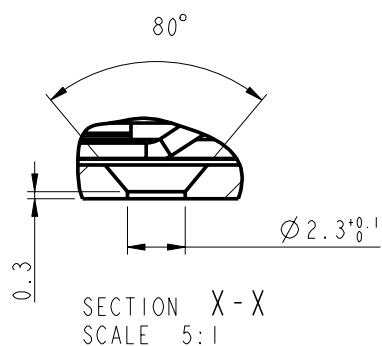
LEAD FREE VERSION:

"This product meets European Union Directives and other country regulations as described in GS-22-008"

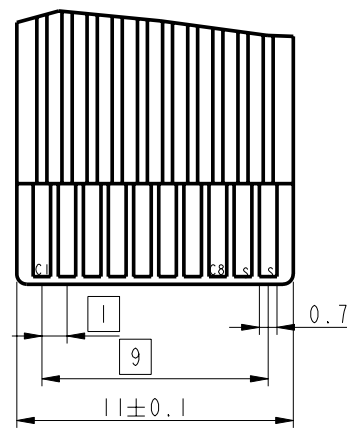


DETAIL B  
 SCALE 5:1

Copyright FCJ



SECTION X-X  
 SCALE 5:1



DETAIL A  
 SCALE 5:1

General Tolerances			
0 to 10mm:	±0.1mm		
10 to 30mm:	±0.15mm		
30 to 60mm:	±0.2mm		
60 and more:	±0.3mm		

rev	ecn no	dr	date
A	F20307	DLE	2002/04/29
B	F20341	DLE	2002/06/04
C	LS3088	JTA	2003/11/28
D	105-0176	NT	2005/10/01
E	106-0078	DTK	2006/06/19
F	109-0013	SSC	2009/01/24

www.fciconnect.com		surface -- ✓	tolerance std	projection	mm
		ISO 1302	ISO 406 ISO 1101	⊕	
TOLERANCES UNLESS OTHERWISE SPECIFIED					
ANGULAR	LINEAR	0.x	±	size	Scale
0° ±°	0° ±°	0.xx	±	A2	3:2
0.xxx	±	0.xxx	±	ECN	109-0013
Product family MOBILE I/O				Spec ref	
FCJ E05 FLEX			VJW54378		Rev. F
SMART CARD READER VXX 27787			-		sheet 1 of 1
catalog no			See Table		