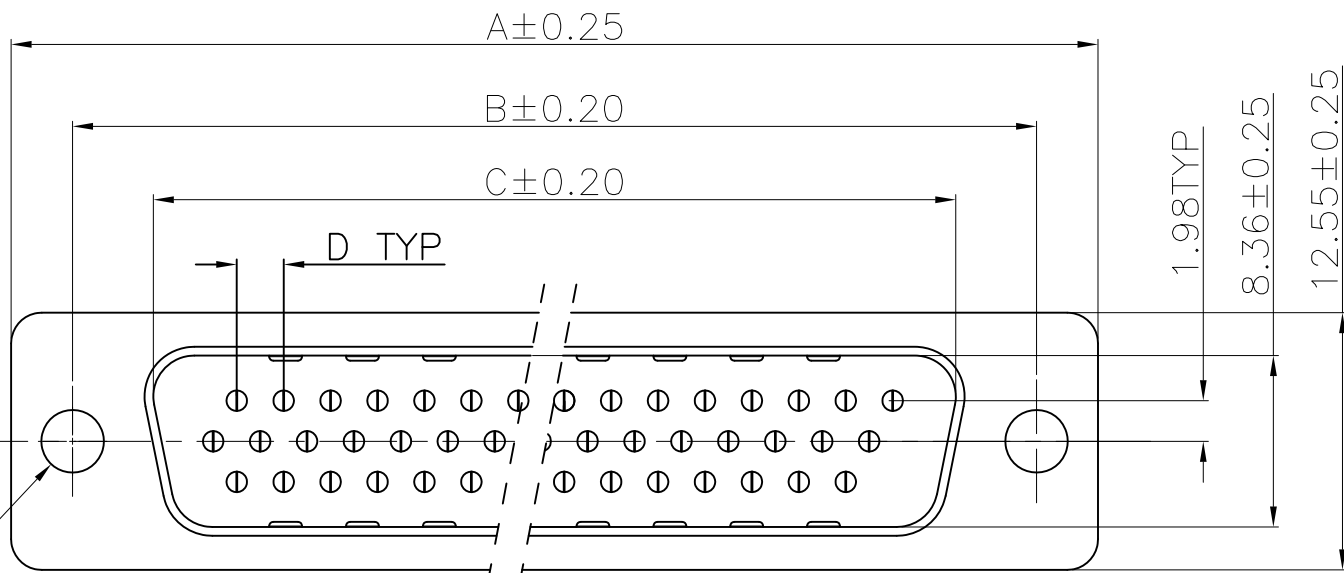


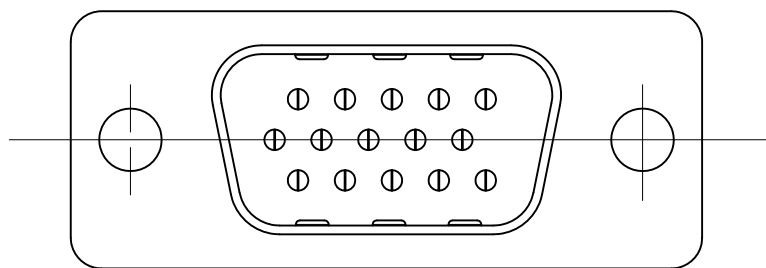
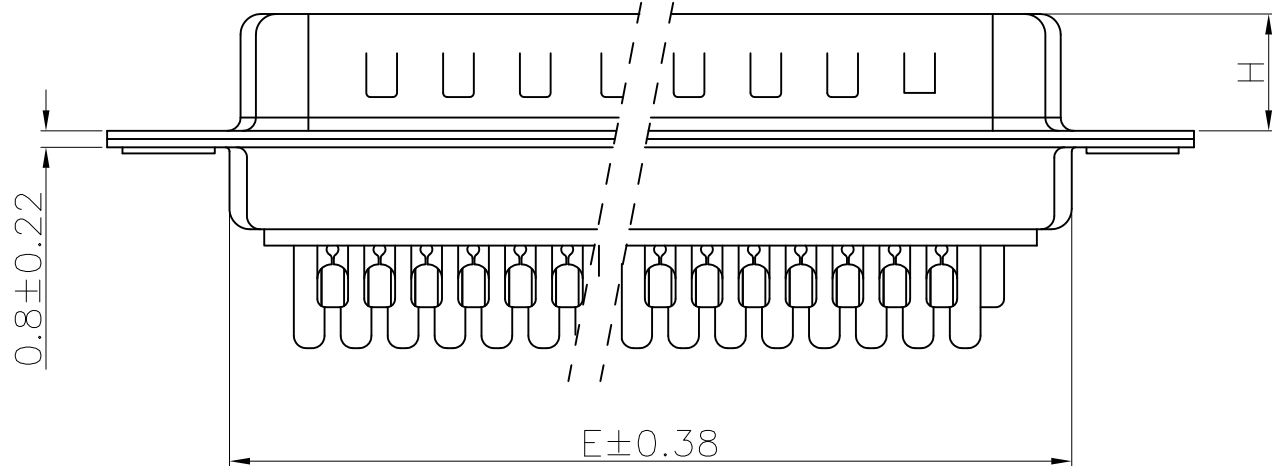
Tous droits strictement reserves. Reproduction ou communication a des tiers interdite sous quelque forme que ce soit sans autorisation ecrite du proprietaire. Propriete de c FCI. Droits de reproduction FCI.



All rights strictly reserved. Reproduction or issue to third parties in any form whatever is not permitted without written authority from the proprietor. Property of FCI. Copyright FCI.



FOR 26/44/62P



FOR 15P

POS.	PART NO.	A	B	C	D	E	H
15	10090769-P154ALF	30.81	24.99	16.92	2.29	19.10	5.90 ^{+0.25} ₀
26	10090769-P264ALF	39.24	33.32	25.25	2.29	27.75	5.90 ^{+0.25} ₀
44	10090769-P444ALF	53.04	47.04	38.96	2.29	41.30	5.70 ^{+0.25} ₀
62	10090769-P624ALF	69.32	63.50	55.42	2.41	57.40	5.70 ^{+0.25} ₀

REMARK:

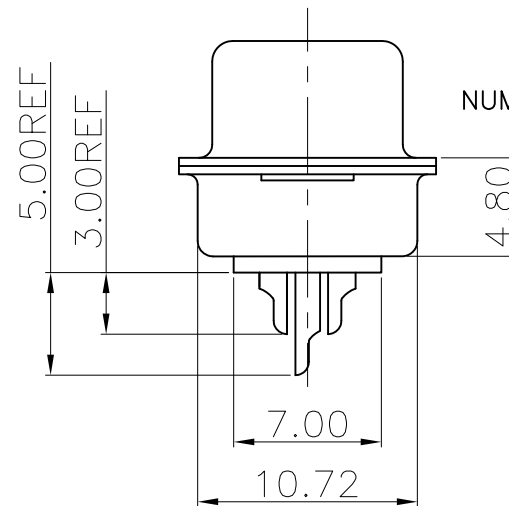
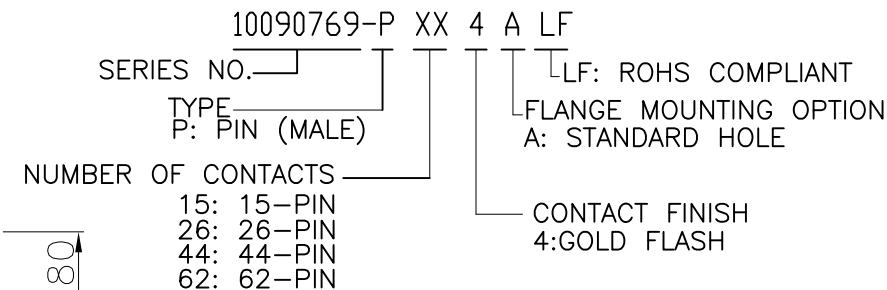
1.CHARACTERISTICS:

RATED VOLTAGE: 250V
 RATED CURRENT: 2.5AMP
 CONTACT RESISTANCE: 25mohms MAX.INITIAL,
 40mohms MAX.AFTER.
 INSULATION RESISTANCE: 5000Mohms MIN.at 500V DC
 DIELECTRIC STRENGTH: 750VRMS
 OPERATING TEMPERATURE RANGE: -55C~105C
 INSERTION/EXTRACTION FORCE PER CONTACT: 5N Max./0.2N Min.
 MATING/UNMATING CYCLES: 50MATINGS MIN FOR GOLD-FLASH

2.MATERIAL:

INSULATORS: THERMOPLASTIC G.F(UL94V-0) BLACK
 CONTACTS: COPPER ALLOY,GOLD(G/F) TOP OVER CONTACT
 AREA,100u" Min MATTE TIN TOP OVER SOLDER AREA,
 50u" Min NICKEL UNDER PLATE.
 SHELL: CARBON STEEL,100u" Min NICKEL TOP OVER,
 50u" Min COPPER UNDER PLATE.

3.PART NUMBER DESCRIPTION:

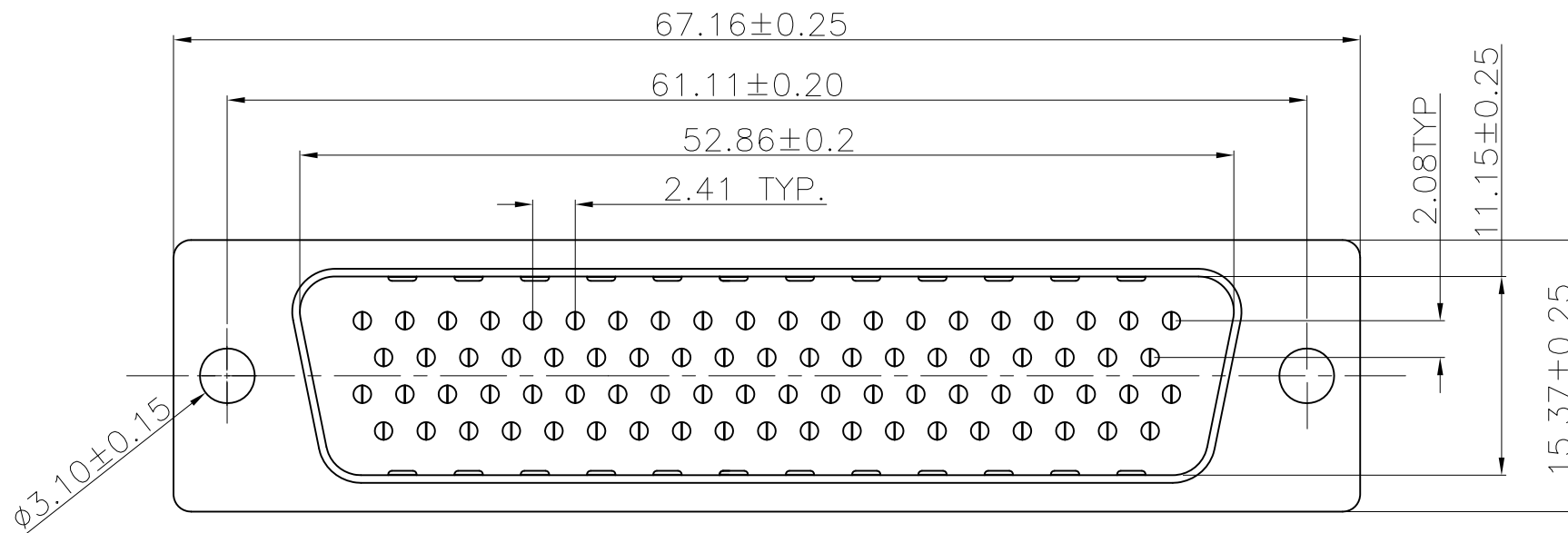


mat'l. code				tolerances unless otherwise specified			CUSTOMER COPY		FCI		
ltr	ecn no	dr	date	linear	.X ± 0.38	projection	www.fciconnect.com				
A	T09-1156	J.H	12/10/09		.XX ± 0.25		title				
B	ELX-I-15500	A.B	2013/08/21	angles	.XXX ± 0.10		H/D D-SUB MALE SOLDER BUCKET				
				dr	JASON HSU 12/10/09		product family		D-SUB		code
				enr	ALIAS BABU 2013/08/21		size		dwg no		TWN
				chr	MITHUN PAUL 2013/08/21		scale		1:1		sheet
				appd	BIJU.K.PAUL 2013/08/21	A4		10090769		1 of 2	
sheet index	revision	B	B								
	sheet	1	2								

Tous droits strictement reserves. Reproduction ou communication a des tiers interdite sous quelque forme que ce soit sans autorisation ecrite du proprietaire. Propriete de c FCI. Droits de reproduction FCI.



All rights strictly reserved. Reproduction or issue to third parties in any form whatever is not permitted without written authority from the proprietor. Property of FCI. Copyright FCI.



REMARK:

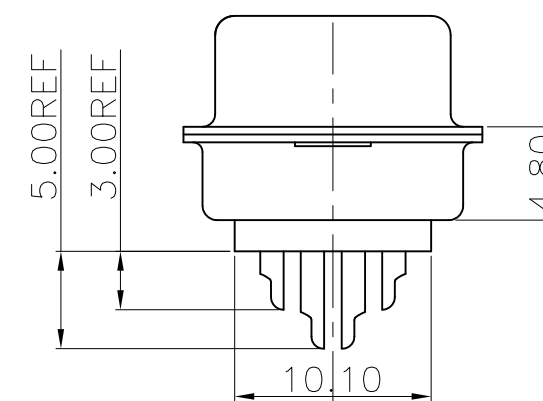
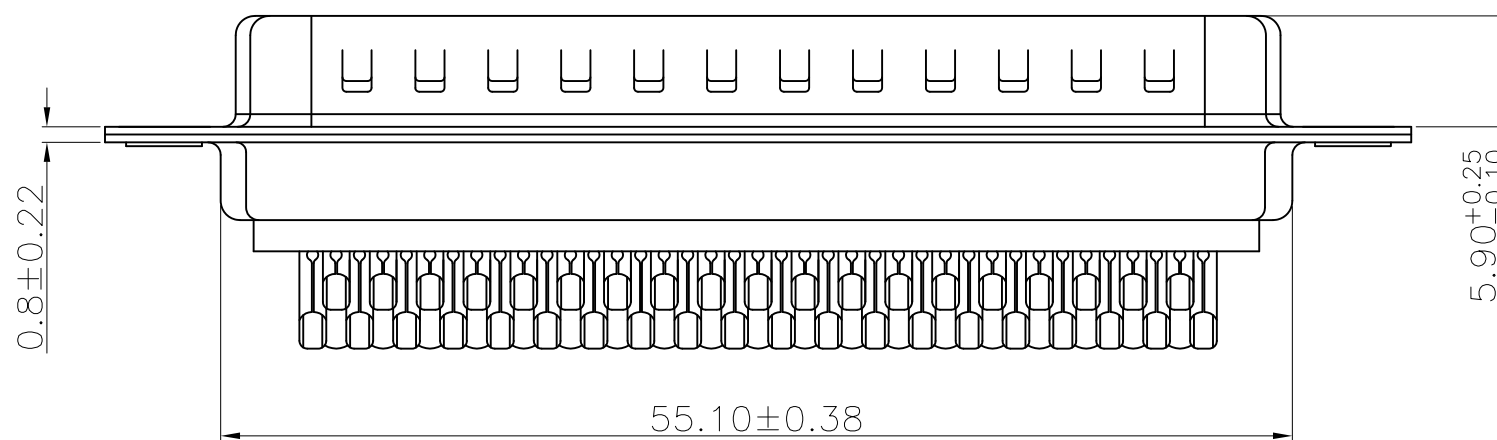
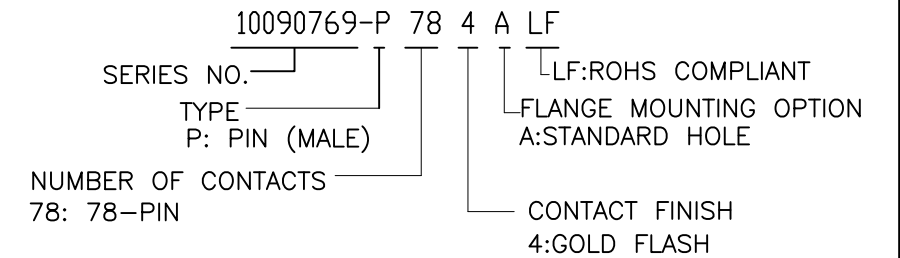
1.CHARACTERISTICS:

RATED VOLTAGE: 250V
 RATED CURRENT: 2.5AMP
 CONTACT RESISTANCE: 35mohms MAX.INITIAL,
 50mohms MAX.AFTER.
 INSULATION RESISTANCE: 5000Mohms MIN.at 500V DC
 DIELECTRIC STRENGTH: 750VRMS
 OPERATING TEMPERATURE RANGE: -55C~105C
 INSERTION/EXTRACTION FORCE PER CONTACT :5N Max./0.2N Min.
 MATING/UNMATING CYCLES :50MATINGS MIN FOR GOLD-FLASH

2.MATERIAL:

INSULATORS: THERMOPLASTIC G.F(UL94V-0) BLACK
 CONTACTS: COPPER ALLOY,GOLD(G/F) TOP OVER CONTACT
 AREA,100u" Min MATTE TIN TOP OVER SOLDER AREA,
 50u" Min NICKEL UNDER PLATE.
 SHELL: CARBON STEEL,100u" Min NICKEL TOP OVER,
 50u" Min COPPER UNDER PLATE.

3.PART NUMBER DESCRIPTION:



PART NO.: 10090769-P784ALF

mat'l. code				tolerances unless otherwise specified			CUSTOMER COPY		FCI		www.fciconnect.com	
ltr	ecn no	dr	date	linear	.X ± 0.38		projection	title				
B					.XX ± 0.25			H/D D-SUB 78P MALE SOLDER BUCKET				
					.XXX ± 0.10							
				angles	0° ±2°		MM	product family		D-SUB		
				dr	JASON HSU	12/10/09		size		dwg no		code
				enr	ALIAS BABU	2013/08/21	scale	A4		10090769		TWN
				chr	MITHUN PAUL	2013/08/21						sheet
				appd	BIJU.K.PAUL	2013/08/21		1:1				2 of 2
sheet index	revision sheet											