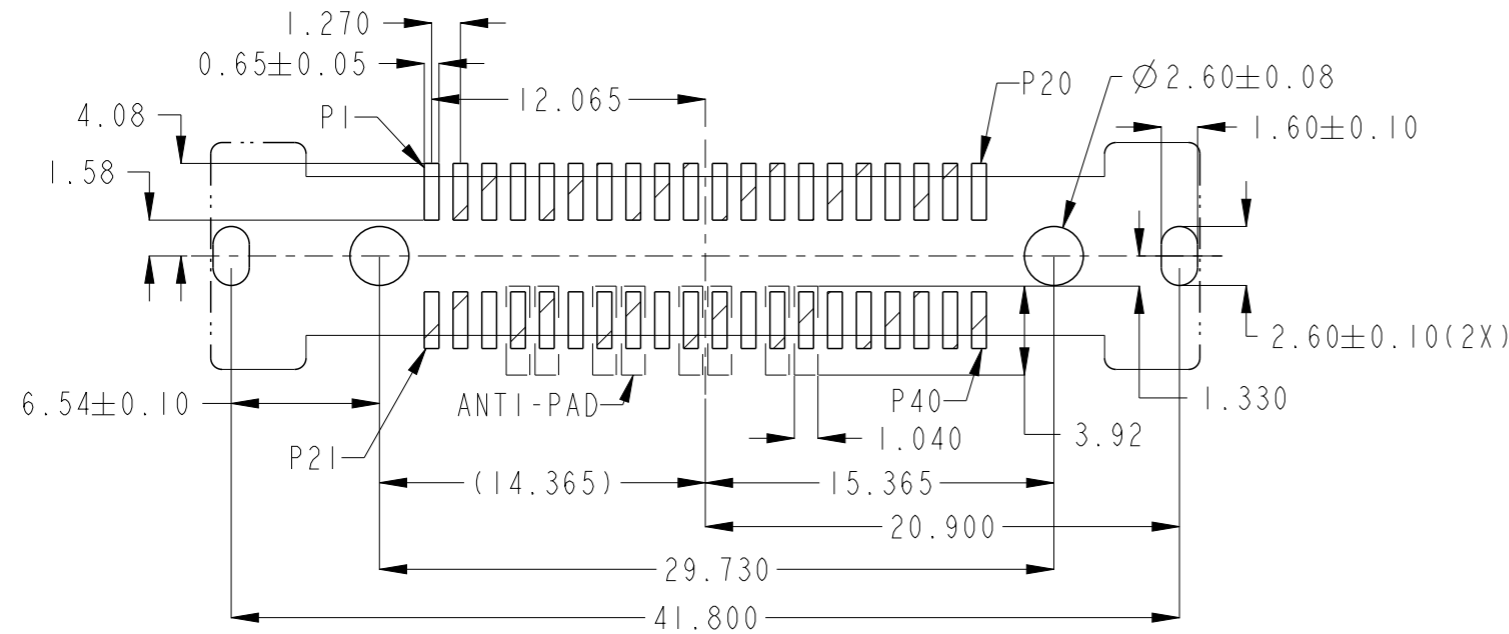


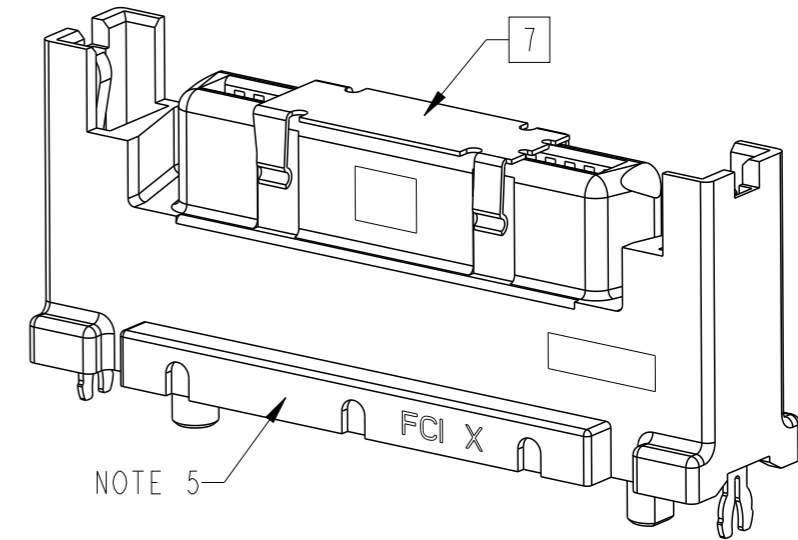
PRODUCT No.	PICK UP CAP	DUST COVER	PACKAGING
10073037-002LF	NO	NO	TRAY
10073037-002CLF	YES	NO	TRAY
10073037-002C-TRLF	YES	NO	TAPE & REEL
10073037-012LF	NO	YES	TRAY
10073037-012CLF	YES	YES	TRAY
10073037-012C-TRLF	YES	YES	TAPE & REEL

NOTES:

1. MATERIAL :
HOUSING : HIGH TEMPERATURE THERMOPLASTIC
CONTACTS : COPPER ALLOY
ESD CONTACTS : COPPER ALLOY
- 2A. PLATING SPEC:
CONTACTS : 1.27um/50u" MIN NICKEL UNDERPLATE
0.76um/30u" MIN GOLD AT CONTACT AREA
2.54um/100u" MIN TIN AT SOLDER TAIL
ESD CONTACTS : 1.27um/50u" MIN NICKEL UNDERPLATE
2.54um/100u" MIN TIN OVERALL
- 2B. PLATING SPEC:
CONTACTS : 1.27um/50u" MIN NICKEL UNDERPLATE
0.76um/30u" MIN GXT PLATING AT CONTACT AREA
2.54um/100u" MIN TIN AT SOLDER TAIL
ESD CONTACTS : 1.27um/50u" MIN NICKEL UNDERPLATE
2.54um/100u" MIN TIN OVERALL
3. THE HOUSING WILL WITHSTAND EXPOSURE TO 260°C PEAK TEMPERATURE FOR 10 SECONDS IN A CONVECTION, INFRA-RED OR VAPOR PHASE REFLOW OVEN.
4. THIS PRODUCT MEETS EUROPEAN UNION DIRECTIVES AND OTHER COUNTRY REGULATIONS AS DESCRIBED ON GS-22-008.
5. DUST COVER IS OPTIONAL, P/N 10074751-001LF. TO BE ORDER SEPARATELY.
6. A $\triangle G$ SYMBOL BE NEXT TO ANY DIMENSION, VIEW, OR NOTE WHICH HAS BEEN MODIFIED WITH THE CURRENT DRAWING REVISION.
7. DRAWING OF PICK UP CAP IS FOR ILLUSTRATION PURPOSE ONLY, ACTUAL ORIENTATION MAY NOT BE THE SAME ON PRODUCT.



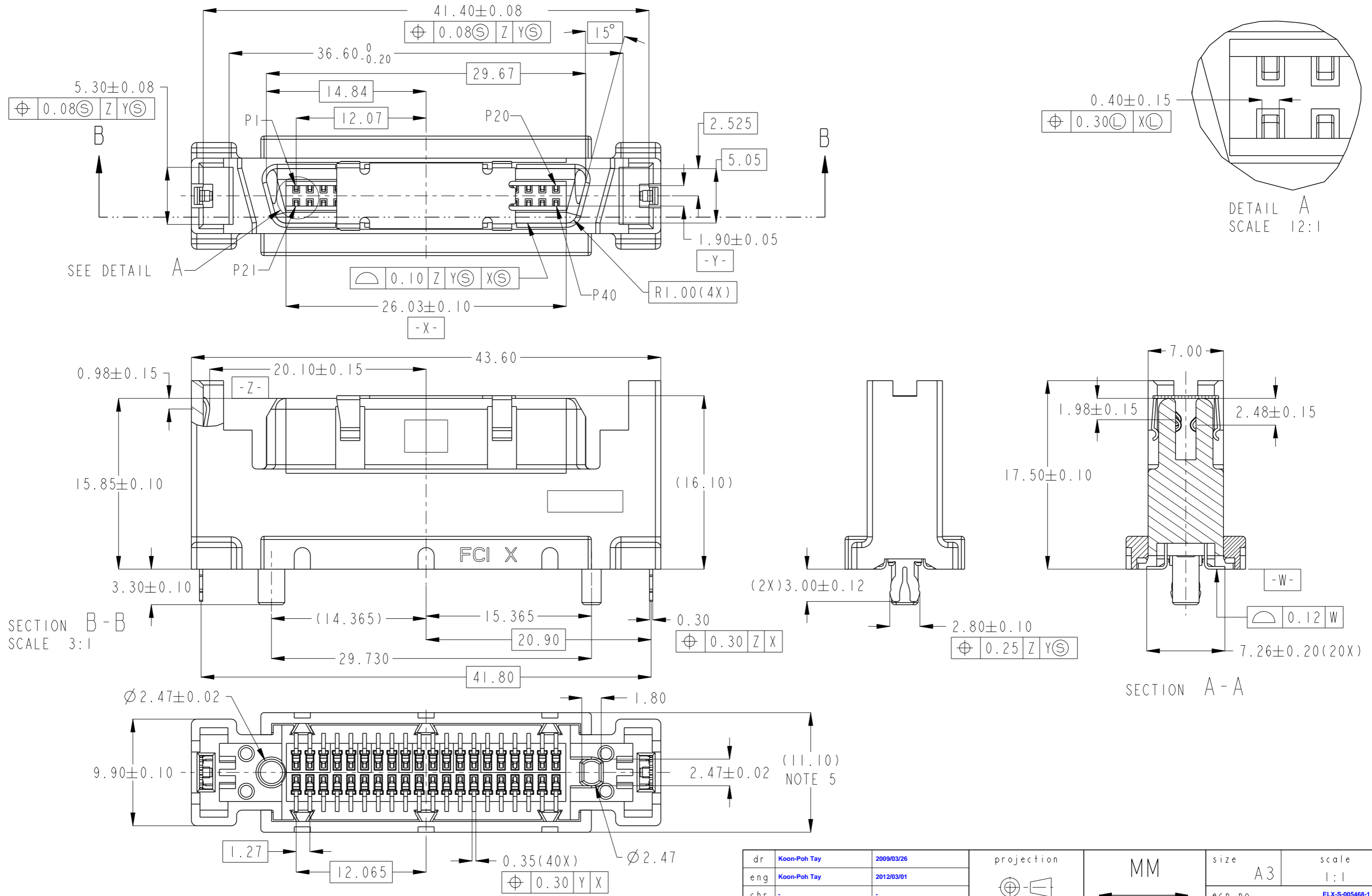
RECOMMENDED PCB LAYOUT FOR FORK-LOCK HOLD DOWN



SCALE 5:2

spec ref	-	dr	Koon-Poh Tay	2009/03/26	projection	MM	size	A3	scale	1:1
tolerance std	ASME Y14.5	eng	Koon-Poh Tay	2012/03/01			ecn no	-	rel level	Released
	TOLERANCES UNLESS OTHERWISE SPECIFIED	chr	-	2012/03/01						
surface	✓	appr	Joey Ng	2012/03/01			dwg no	10073037	rev	G
ASME Y14.5	linear	0.X	±0.35	www.fci.com	cat. no.	-	Product - Customer Drw	sheet 1 of 2		
		0.XX	±0.25							
		0.XXX	±0.13							
	angular	0°	±2°							

Copyright FCI.



dr	Koon-Poh Tay	2009/03/26	projection	MM	size	A3	scale	1:1	
eng	Koon-Poh Tay	2012/03/01		← →	ecn no	ELX-S-005468-1	rel level	Released	
chr	-	-							
appr	Joey Ng	2012/03/01	product family	-	rel level	Released			
			SCA-2 RECEPTACLE			dwg no		10073037	rev
www.fci.com			40 POS EXT. HT. VERTICAL SMT					G	
cat. no.			-			Product - Customer Drw		sheet 2 of 2	