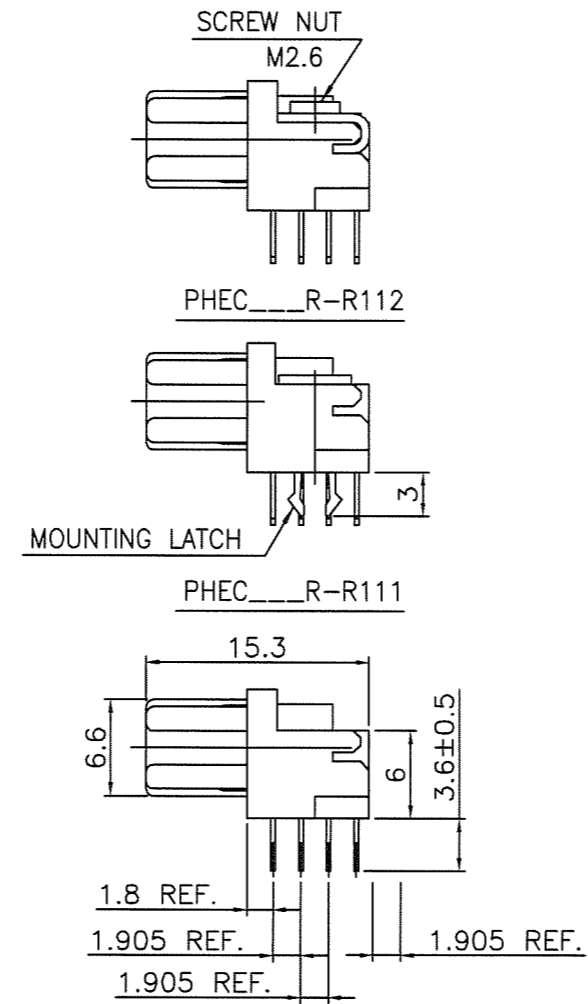
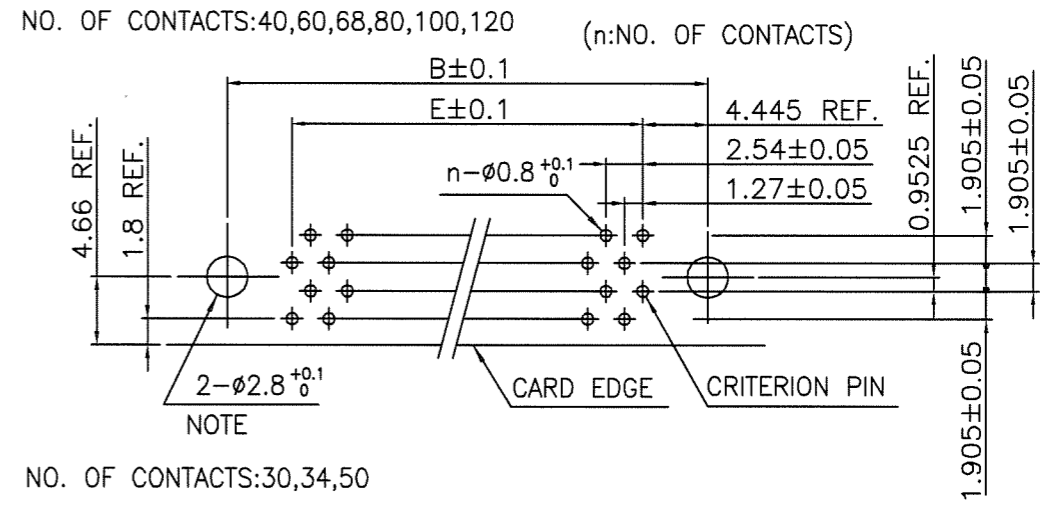


PRODUCT NO.

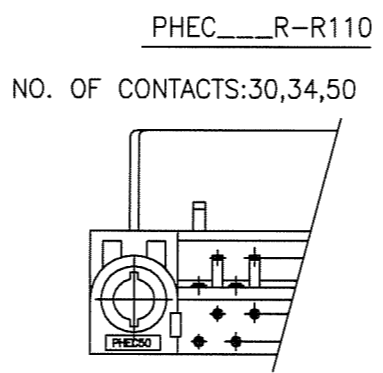
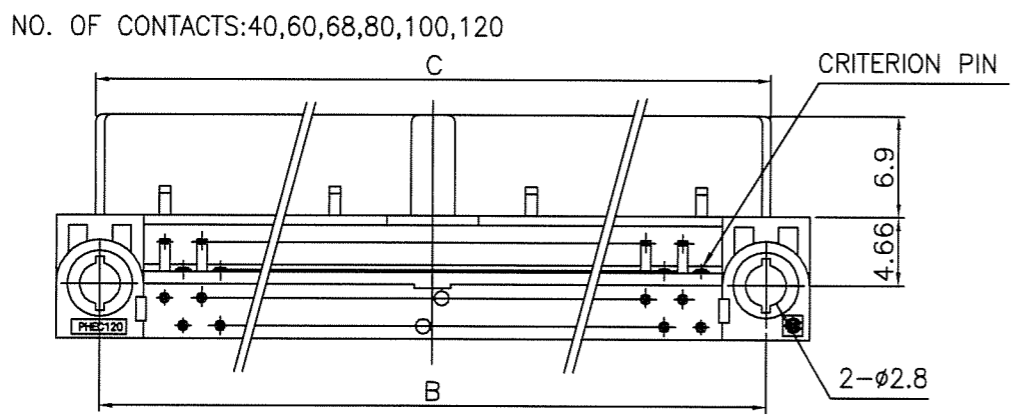
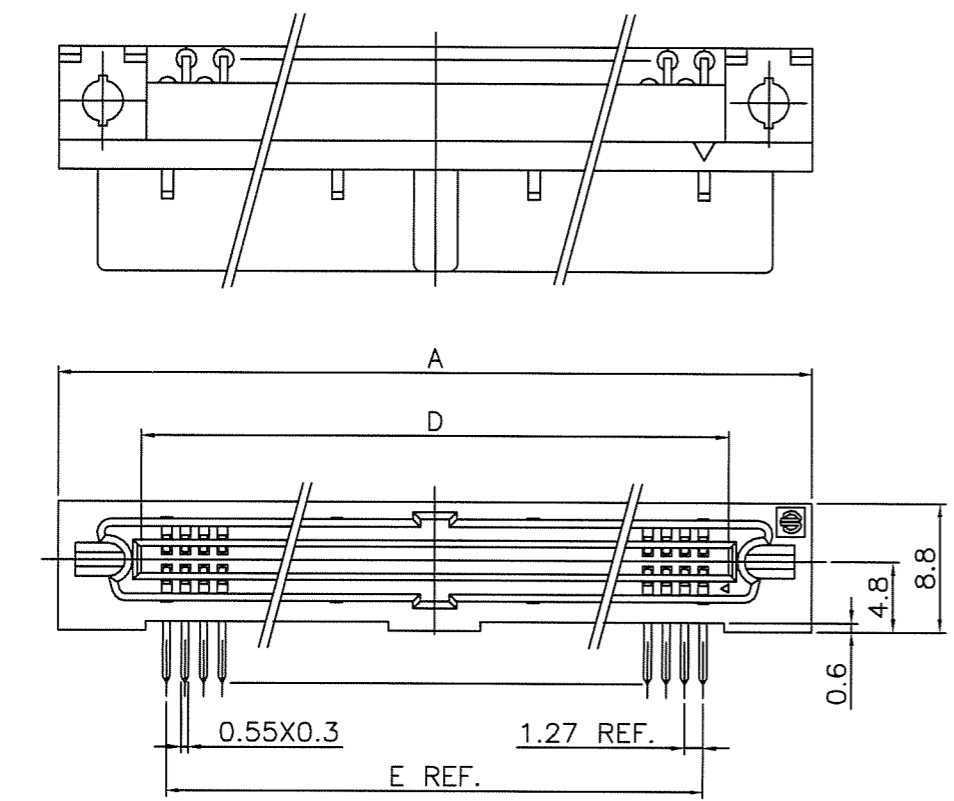
JSC 96359



RECOMMENDED PC BOARD  
THICKNESS: 1.6 ± 0.2  
HOLE PATTERN (COMPONENT SIDE)



NOTE : THROUGH-HOLES FOR MOUNTING LATCHES ALSO SHOULD BE PLATED.



CAT. NO.	NO. OF CONTACTS (MATING SIDE)	DIMENSIONS				
		A	B	C	D	E
PHEC30R-R11_LF	15/ROW X 2 ROWS	32.67	26.67	27.26	21.26	17.78
PHEC34R-R11_LF	17/ROW X 2 ROWS	35.21	29.21	29.80	23.80	20.32
PHEC40R-R11_LF	20/ROW X 2 ROWS	39.02	33.02	33.61	27.61	24.13
PHEC50R-R11_LF	25/ROW X 2 ROWS	45.37	39.37	39.96	33.96	30.48
PHEC60R-R11_LF	30/ROW X 2 ROWS	51.72	45.72	46.31	40.31	36.83
PHEC68R-R11_LF	34/ROW X 2 ROWS	56.80	50.80	51.39	45.39	41.91
PHEC80R-R11_LF	40/ROW X 2 ROWS	64.42	58.42	59.01	53.01	49.53
PHEC100R-R11_LF	50/ROW X 2 ROWS	77.12	71.12	71.71	65.71	62.23
PHEC120R-R11_LF	60/ROW X 2 ROWS	89.82	83.82	84.41	78.41	74.93

- NOTES
- BODY, LOCATOR MATERIAL : PBT GLASS FILLED (UL94V-0), COLOR BLACK
  - TERMINAL MATERIAL : PHOSPHOR BRONZE
  - MOUNTING LATCH MATERIAL : PHOSPHOR BRONZE
  - SCREW NUT : STEEL
  - TERMINAL FINISH  
CONTACT AREA : GOLD FLASH 0.1µm min. OVER NICKEL UNDERLAYER  
SOLDER TAILS : PURE Sn 2µm min. OVER NICKEL UNDERLAYER
  - MOUNTING LATCH FINISH : PURE Sn 2µm min. OVER NICKEL UNDERLAYER
  - SCREW NUT FINISH : NICKEL
  - THIS PRODUCT MEETS EUROPEAN UNION DIRECTIVES AND OTHER COUNTRY REGULATIONS AS DESCRIBED IN GS-22-008
  - THE HOUSING WILL WITHSTAND EXPOSURE TO 260 DEGREE PEAK TEMPERATURE FOR 10 SECONDS IN A WAVE SOLDER APPLICATION WITH A 1.6mm MINIMUM THICK CIRCUIT BOARD.

mat'l. code		surface		tolerance		projection		product family		CODE	
---		ISO 1302		ISO 406		MM		PHEC		JP	
description		ecn no		dr		date		title		sheet 1 of 1 size	
A RELEASED		J05-0186		S.O		3/29/05		PRINTED CIRCUIT CONNECTOR		A3	
B REVISED		J07-0047		S.O		1/25/07		(CAT.NO.PHEC _ _ _ R-R11_LF)			
C REVISED		J07-0458		S.O		9/11/07		dwg no		JSC 96359	
				dr		S.OKUDAIRA 3/29/05		type		Customer Drawing	
				enr		S.OKUDAIRA 9/11/07				Rev. C	
				chr							
				appd		S. Okudaira 9/11/07					
sheet index		revision sheet		C		1					



Copyright FCI.