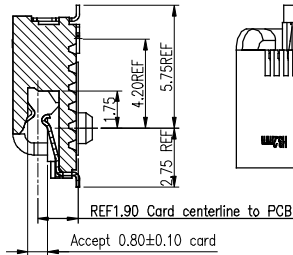
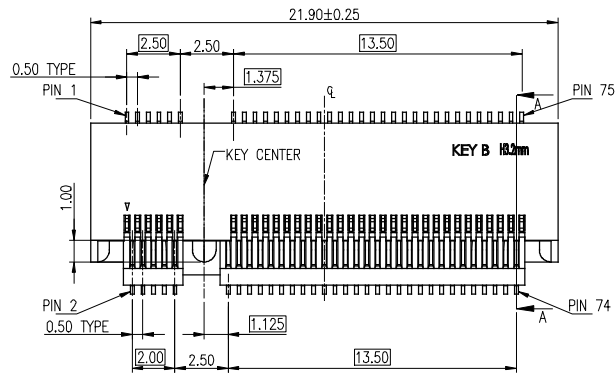


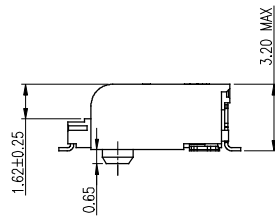
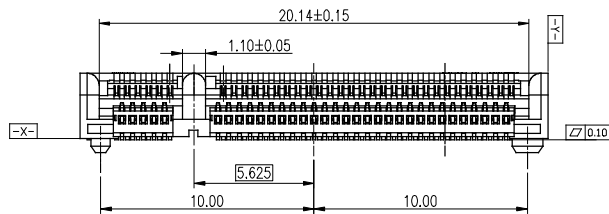
PART NUMBER
10125101-AXXRLF

NOTES:

- 1.MATERIAL:
 - 1) HOUSING: HIGH TEMPERATURE THERMOPLASTIC, COLOR BLACK.
 - 2) CONTACT: COPPER ALLOY.
 - 3) NAIL: COPPER ALLOY.
- 2.FINISH:
 - 2.1 CONTACTS:
 - 1) 50u" MIN. Ni UNDER PLATED ALL
 - 2) Au PLATING ON CONTACT AREA.
 - 3) MATTE Tin 80u" MIN. ON SOLDER AREA.
 - 2.2 NAILS:
 - 1) 50u" MIN. Ni UNDER PLATED OVER ALL.
 - 2) MATTE Tin 80u" MIN. ON SOLDER AREA.
3. GENERAL CHARACTERISTICS:
 - 3.1 RATING: 50V 0.5A
 - 3.2 INSULATION RESISTANCE: 100Mohm MIN. AT 500VDC
 - 3.3 DIELECTRIC WITHSTANDING VOLTAGE: 300VAC FOR ONE MINUTE.
 - 3.4 CONTACT RESISTANCE: 55 mohm MAX. (BEFORE).
 - 3.5 MATING/UNMATING FORCE: 2.3Kgf MAX.
4. DURABILITY 50 CYCLES.
5. PRODUCT SPECIFICATION SEE FCI GS-12-1142.
6. FOR REFLOW SOLDERING, LEAD-FREE PROCESS.
7. THE PRODUCT IS RoHS COMPLIANT AND HALOGEN FREE.
8. P/N: 10125101- A XX R LF

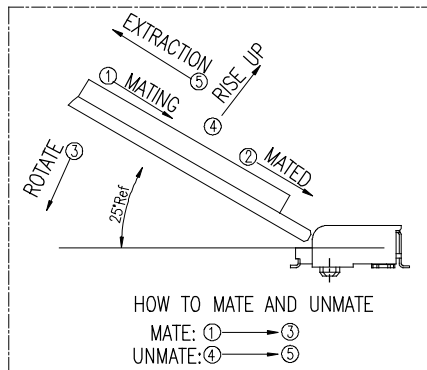
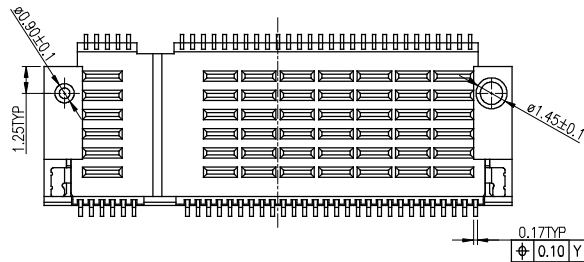


SECTION A-A
SCALE: 1:1



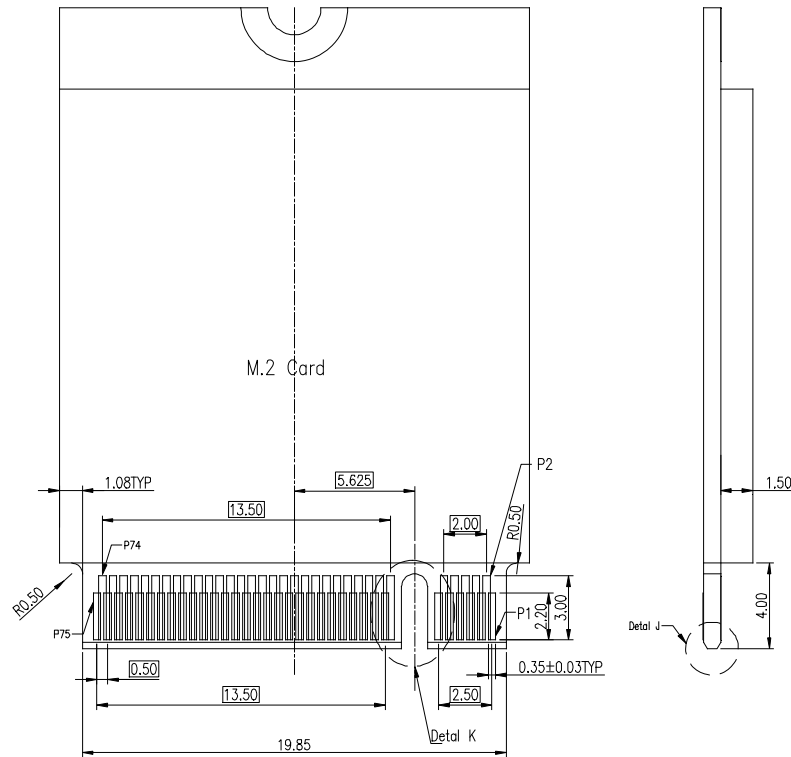
HEIGHT
A=3.2

- R=TAPE REEL PACKING
- CONTACT AREA PLATING
- 01:GoldFlash (Au1u")
- 03:Au3u"
- 05:Au5u"
- 10:Au10u"
- 15:Au15u"
- 30:Au30u"

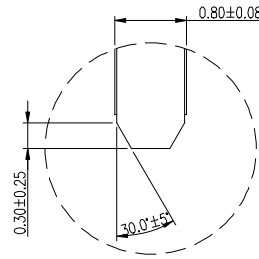


mat'l. code		surface		tolerance		projection		product family	
ltr	ecn no	dr	date	tolerances unless otherwise specified		mm		title	
1		TAI	2013-04-18	angles	0.1	.X	±0.3	M.2 CONN P=0.5MM	
2		BF	2013-05-02	0.2	0.1	.XX	±0.25	H3.2MM KEY B	
A		BF	2013-05-02	X*±2°		.XXX	±0.05	scale	
B		BF	2014-01-03	dr	BEER FU	2013-05-02		dwg no	sheet 1 of 3
				enr	BEER FU	2013-05-02		10125101	size A4
				chr	BEER FU	2013-05-02			
				appd	BEER FU	2013-05-02		type	CUSTOMER Drawing
sheet index	revision sheet	B	B	B					
		1	2	3					

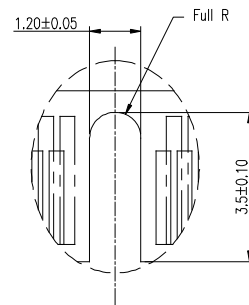
PART NUMBER
10125101-AXXRLF



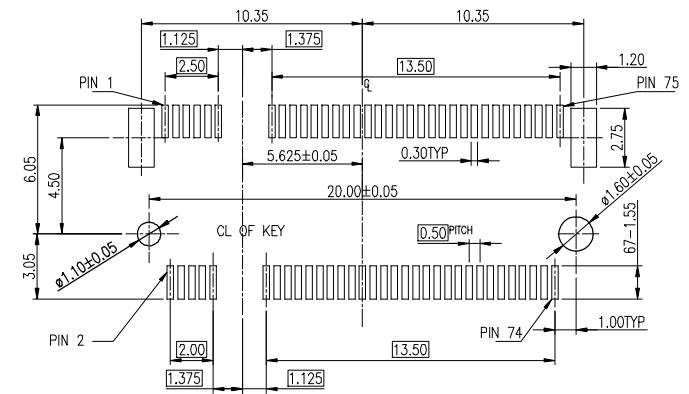
RECOMMENDED SINGLE CARD LAYOUT
TOLERANCE ±0.05(TOP VIEW)



DETAIL K
SCALE:2:1



DETAIL J
SCALE:2:1



CARD FIXED HOLE(NOT SHOWN) LAYOUT SHALL REFER TO M.2 CARD PROVIDER

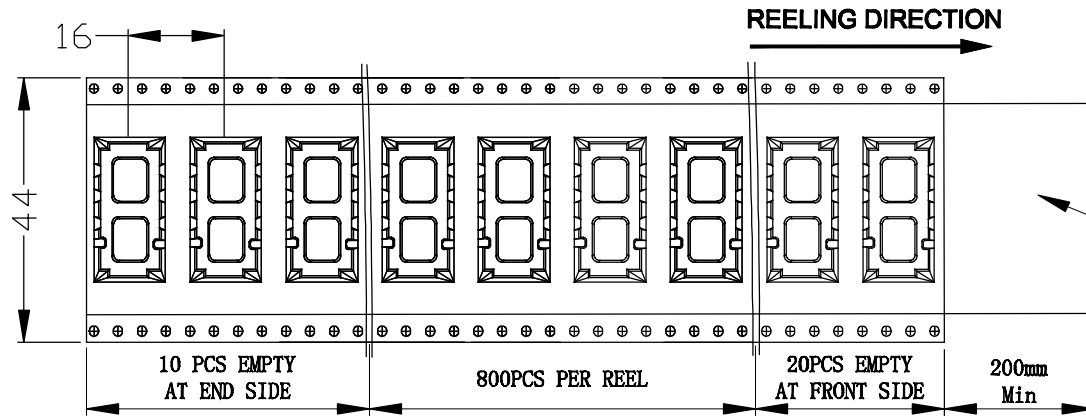
RECOMMENDED SINGLE CARD LAYOUT
TOLERANCE ±0.05(TOP VIEW)



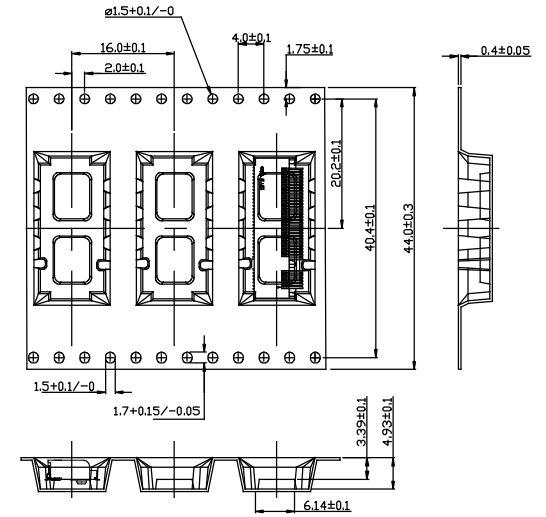
dwg no	sheet 2 of 3	size
10125101		A4
type	CUSTOMER Drawing	

sheet index	revision sheet	B 1	B 2	B 3															
-------------	----------------	-----	-----	-----	--	--	--	--	--	--	--	--	--	--	--	--	--	--	--

PACKING SPECIFICATION

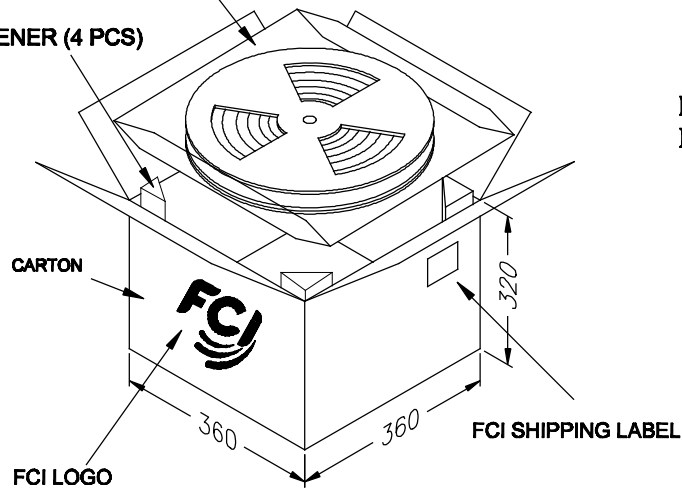


cover tape

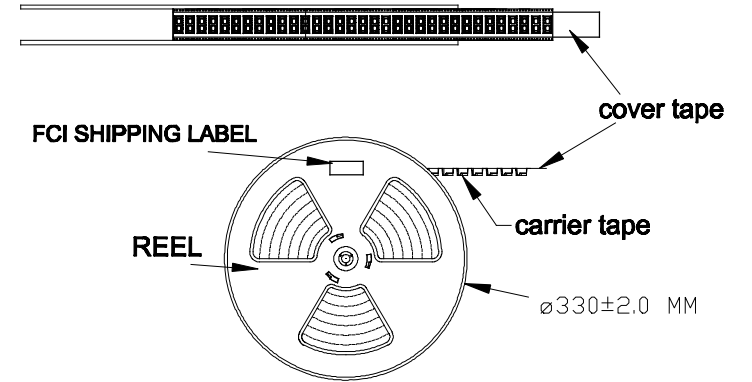
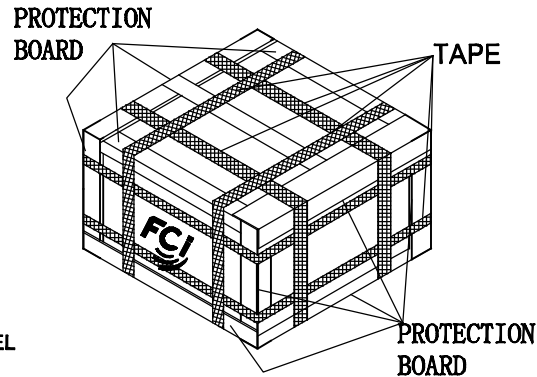


PLASTIC BAGS (2 PCS), 3 REELS/BAG, TOTAL 6 REELS/CARTON

STIFFENER (4 PCS)



Final Packing



PART NUMBER	10125101-AXXRLF	
PACKING QTY	PCB/REEL	800
	REEL/CARTON	6
	PCB/CARTON	4800
WEIGHT (KG)	NET	2.5KG
	GROSS	6.5KG



dwg no	sheet 3 of 3	size
10125101		A4
type	CUSTOMER Drawing	

sheet index	revision sheet	B 1	B 2	B 3																
-------------	----------------	-----	-----	-----	--	--	--	--	--	--	--	--	--	--	--	--	--	--	--	--