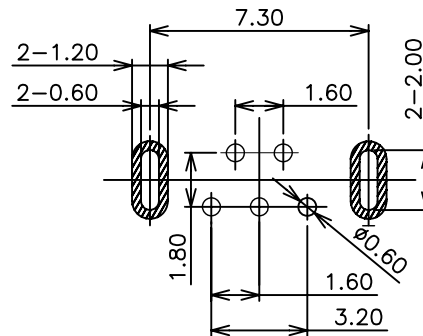
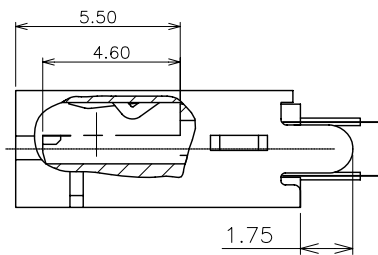
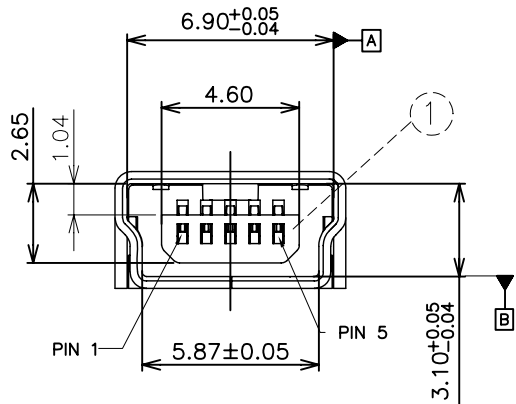
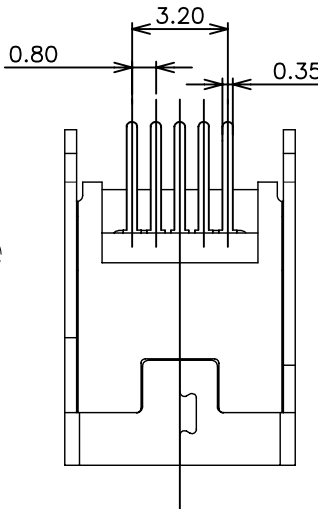
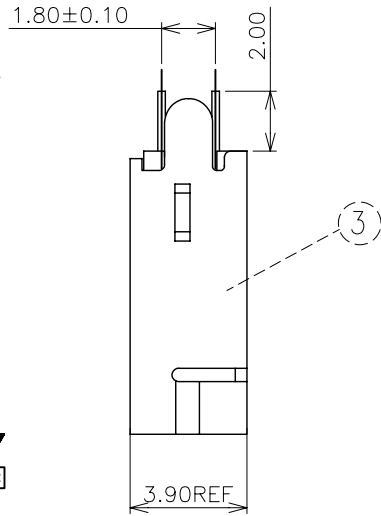
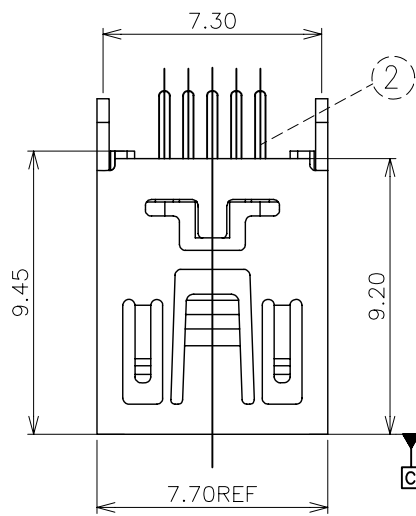




Copyright FCI.

PRODUCT NO.
10119313-301TLF
10119313-301RLF



NOTES:

1.MATERIAL:

HOUSING: THERMOPLASTIC, UL 94V-0 RATED, COLOR IN BLACK.
 CONTACT: COPPER ALLOY
 SHELL: COPPER ALLOY.

2.FINISH:

CONTACT: UNDERPLATED 50u" MIN. NICKEL, OVER ALL;
 100u" MIN. PURE MATTE TIN PLATED IN SOLDERING AREA;
 30u" MIN. GOLD PLATING ON CONTACT AREA.
 SHIELD: NICKEL 80u" MIN. PLATED OVER ALL.

3. THE HOUSING WILL WITHSTAND EXPOSURE TO 260 DEGREE C PEAK

TEMPERATURE FOR 10 SECONDS IN A IR REFLOW APPLICATION. AND THIS PRODUCT MEETS EUROPEAN UNION DIRECTIVES AND OTHER COUNTRY REGULATIONS AS DESCRIBED IN GS-22-008.

4. PRODUCT SPECIFICATION: GS-12-174; PACKAGING SPECIFICATION: GS-14-873.

5. PRODUCT ORDERING DATA:

FOR LEAD-FREE

10119313 - X X X X L F

LF: LEAD FREE PLATING

PACKAGING METHOD:

T: TRAY PACKAGING STYLE.

R: TAPE AND REEL PACKAGING STYLE.

SHELL PEG OPTION:

1: DIP TYPE, SEE PAGE 1

2: SMT TYPE, SEE PAGE 2

HSG MATERIAL:

0: LCP

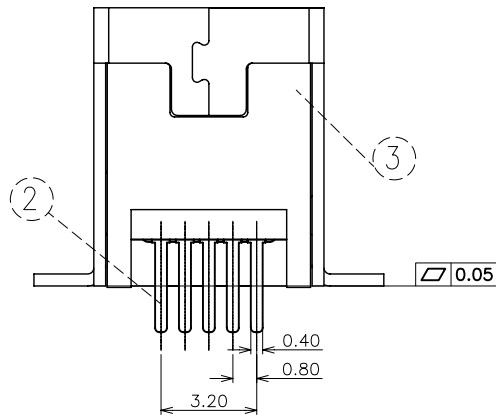
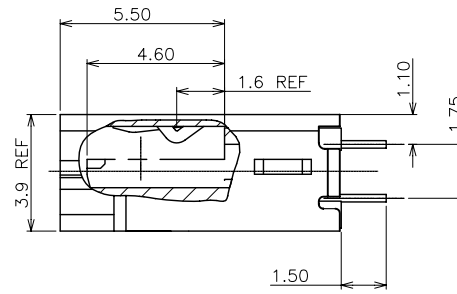
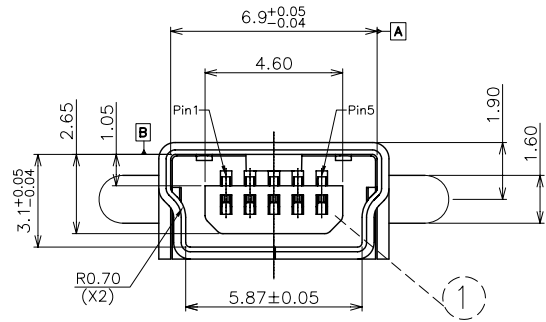
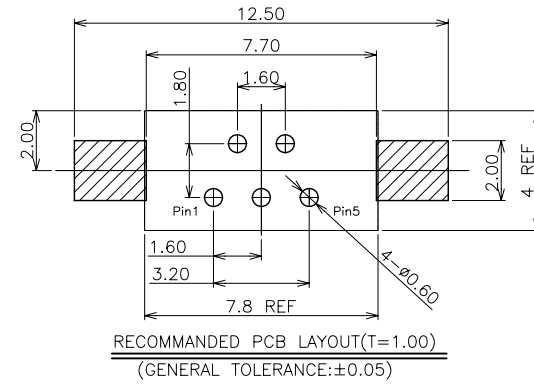
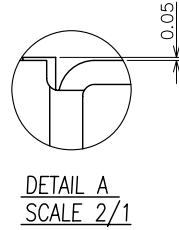
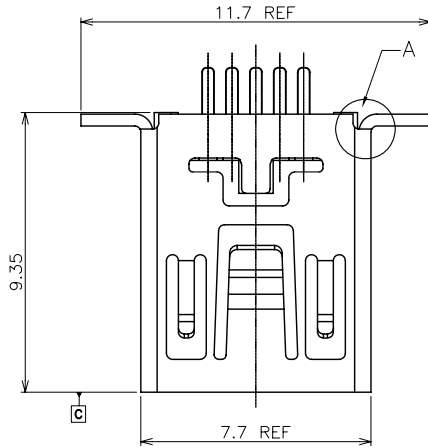
PLATING IN CONTACT AREA:

3: 30u" MIN. Au .



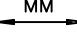
ITEM	NAMES	QT'Y	MATERIAL	FINISH
3	SHIELD	1	COPPER ALLOY	SEE NOTE 2
2	TERMINAL	5	COPPER ALLOY	SEE NOTE 2
1	HOUSING	1	THERMOPLASTIC	COLOR:BLACK

mat'l. code				tolerances unless otherwise specified		CUSTOMER COPY		FCI www.fciconnect.com	
ltr	ecn no	dr	date	linear	.0 ± 0.30	projection	title		
A	-	A.ZH	05/03/12		.00 ± 0.20		MINI USB 5PF VERTICAL TYPE		
B	ELX-N-16102	J.H	10/21/13	angles	.000±0.10		MINI USB B RECEPTACLE		
				dr	ANDY ZHANG	05/03/2012	MM	product family: Mini USB	
				enr	ANDY ZHANG	05/03/2012	← MM →	code NT	
				chr	RICK BIAN	05/03/2012	scale	sheet 1 of 2	
				appd	RICK BIAN	05/03/2012	1 : 1	size dwg no 10119313	
sheet index	revision sheet	B	1~2						

PRODUCT NO.
10119313-302TLF
10119313-302RLF



PLEASE SEE PAGE ONE FOR THE NOTES

mat'l. code		tolerances unless otherwise specified		CUSTOMER COPY		 www.fciconnect.com			
ltr	ecn no	dr	date	linear	.0 ± 0.30	projection			
B					.00 ± 0.20				
				angles	.000 ± 0.10				
					± 2°		title MINI USB 5PF VERTICAL TYPE MINI USB B RECEPTACLE		
		dr	ANDY ZHANG	05/03/2012	MM			product family: Mini USB	code NT
		enr	ANDY ZHANG	05/03/2012	← →			size dwg no	sheet 2 of 2
		chr	RICK BIAN	05/03/2012	scale 1 : 1			10119313	
		appd	RICK BIAN	05/03/2012					
sheet index	revision sheet								