

10132797-AABCDLELF

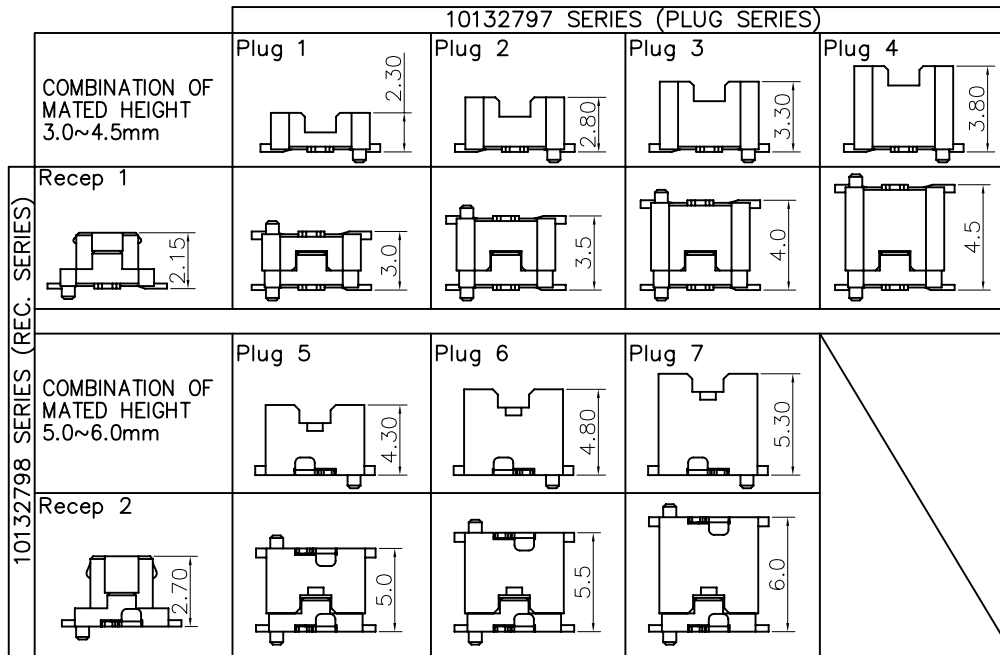
AA	POSITION	STATUS
01	2X05	EXISTENCE
02	2X10	EXISTENCE
03	2X15	EXISTENCE
04	2X20	PRESET
05	2X25	PRESET
06	2X30	PRESET

B	DESCRIPTION
1	PLUG 1
2	PLUG 2
3	PLUG 3
4	PLUG 4
5	PLUG 5
6	PLUG 6
7	PLUG 7

D	POLARIZATION PEG	HOLD DOWN
0	YES	YES
1	NO	YES
2	YES	NO
3	NO	NO

E	PACKAGING
0	TAPE AND REEL WITHOUT CAP

C	PLATING: CONTACT AREA/SOLDER TAIL AREA
1	1~3u" Au ON CONTACT AREA OVER 50u" Ni Min 80u" Tin ON SOLDER TAIL OVER 50u" Ni Min



NOTE:

- MATERIAL:  
HOUSING: THERMOPLASTIC UL94V-0  
TERMINAL: COPPER ALLOY  
HOLD DOWN: COPPER ALLOY
- PLATING:  
TERMINAL: 1~3u" Au ON CONTACT AREA OVER 50u" Ni Min  
80u" Tin ON SOLDER TAIL OVER 50u" Ni Min  
HOLD DOWN: 100u" Tin ON SOLDER TAIL OVER 50u" Ni Min
- SEE GS-12-XXXX FOR PRODUCT SPEC.
- PACKAGING: TAPE AND REEL WITHOUT CAP.
- THIS PRODUCT MEETS THE EUROPEAN UNION DIRECTIVES AND OTHER COUNTRY REGULATIONS AS DESCRIBED IN GS-22-008.
- THE HOUSING WILL WITHSTAND EXPOSURE UP TO 260° PEAK TEMPERATURE FOR 30 SECONDS IN A CONVECTION, INFRA-RED OR VAPOR PHASE REFLOW OVEN.



Copyright FCI

spec ref	dr	Guomin Sun	2015-01-19	projection	mm	size	A3	scale	3:1
tolerance std	eng	Guomin Sun	2015-01-19			ecn no		RELEASE	
TOLERANCES UNLESS OTHERWISE SPECIFIED			chr			-	rel level		RELEASE
surface		linear	0.X	±0.2		title 0.5mm PITCH BTB CONNECTOR PLUG	dwg no 10132797	rev 4	www.fci.com cat. no.
			0.XX	±0.15					
			0.XXX	±0.10					
	angular	0°	±2°	Product - Customer drw		sheet 1 of 3			

1

2

3

4

A

A

B

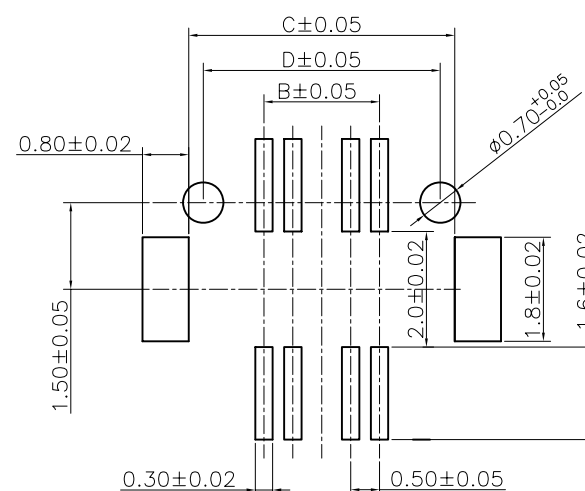
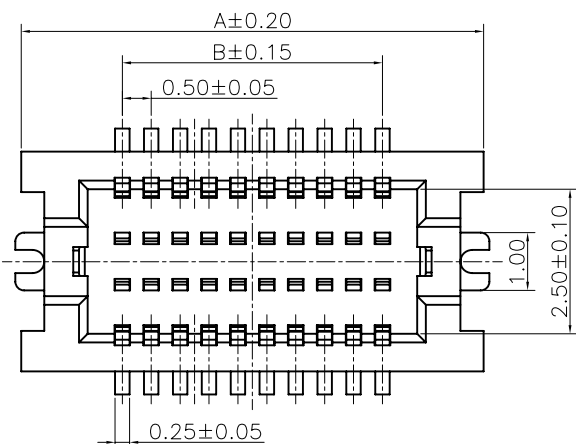
B

C

C

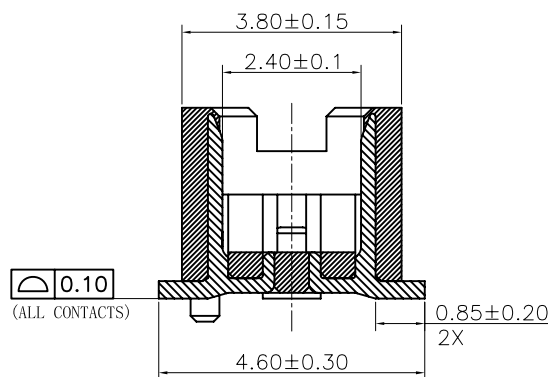
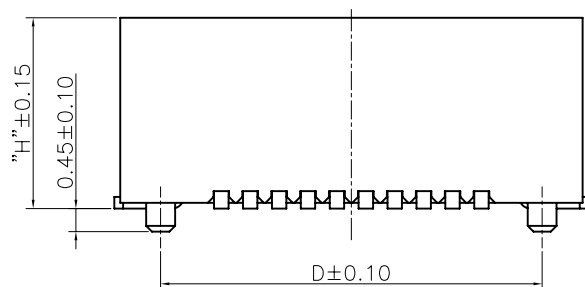
D

D

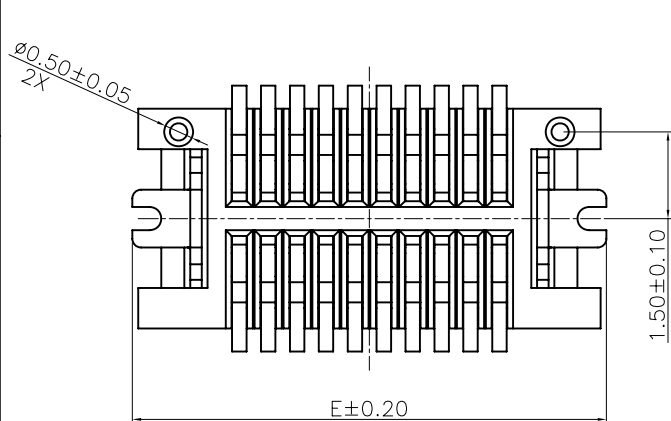


RECOMMENDED PCB LAYOUT

pin.No.	A	B	C	D	E
10	5.50	2.00	4.60	4.10	5.70
20	8.00	4.50	7.10	6.60	8.20
30	10.50	7.00	9.60	9.10	10.70
40	13.00	9.50	12.10	11.60	13.20
50	15.50	12.00	14.60	14.10	15.70
60	18.00	14.50	17.10	16.60	18.20



TYPE	"H"
PLUG 1	2.30
PLUG 2	2.80
PLUG 3	3.30
PLUG 4	3.80



PLUG 1~4

dr	Guomin Sun	2015-01-19	projection	mm	size	A3	scale	3:1
eng	Guomin Sun	2015-01-19			ecn no		RELEASE	
chr	-	-			-		-	
appr	Tim Yao	2015-01-19	product family	Bergstak	-		RELEASE	
			title		0.5mm PITCH BTB CONNECTOR		rev	
www.fci.com			cat. no.		-		sheet 2 of 3	
			title		PLUG		rev	
			dwg no		10132797		4	
			Product - Customer drw					

1

2

3

4

1

2

3

4

A

A

B

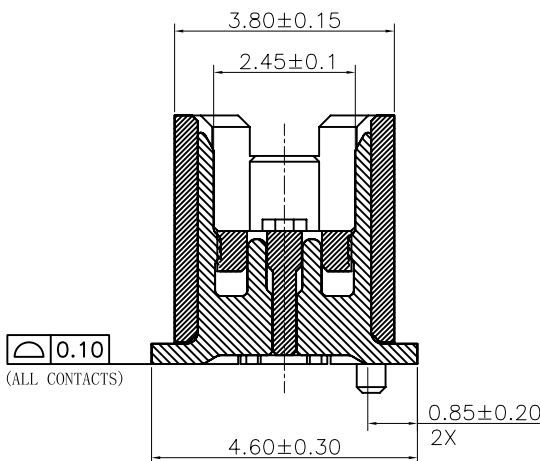
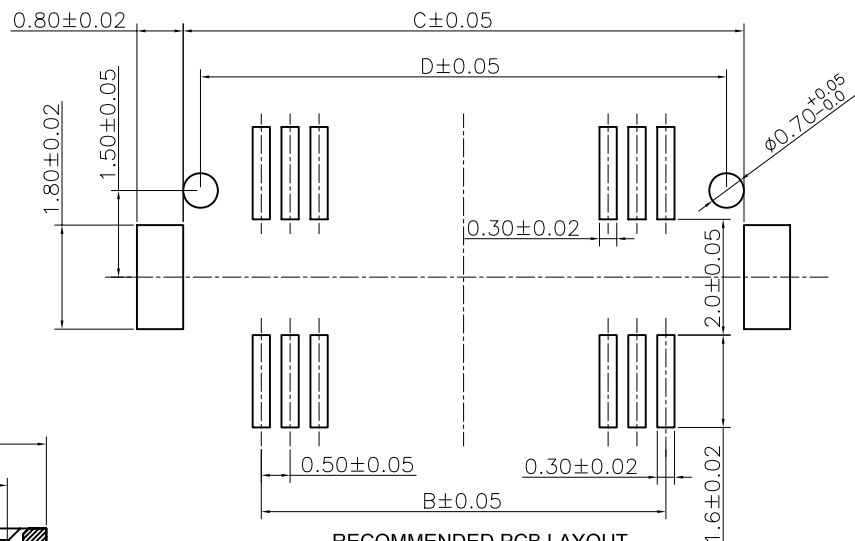
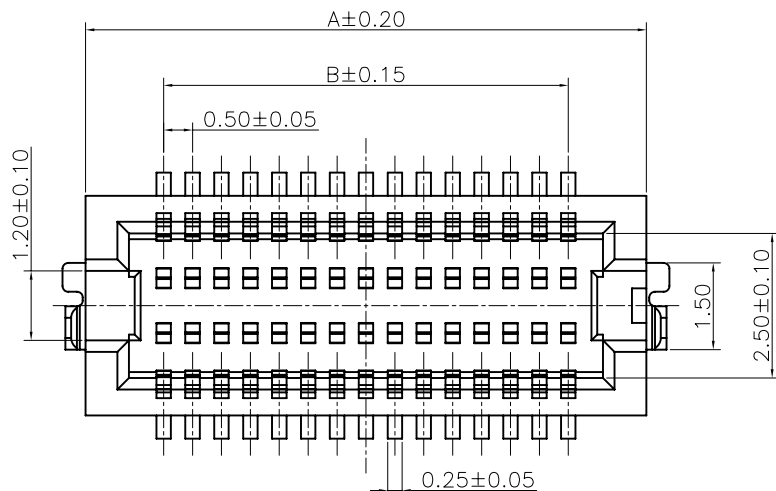
B

C

C

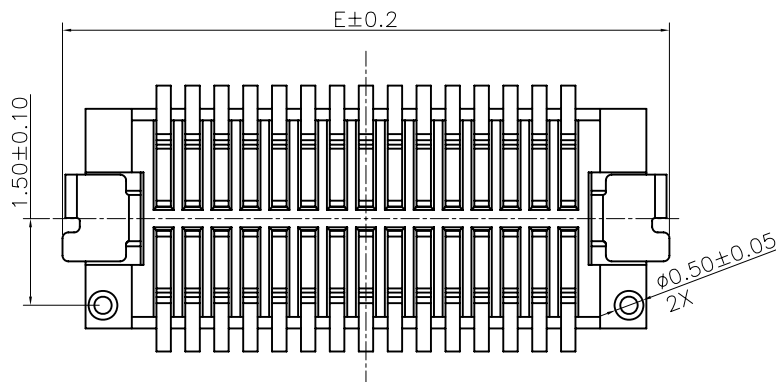
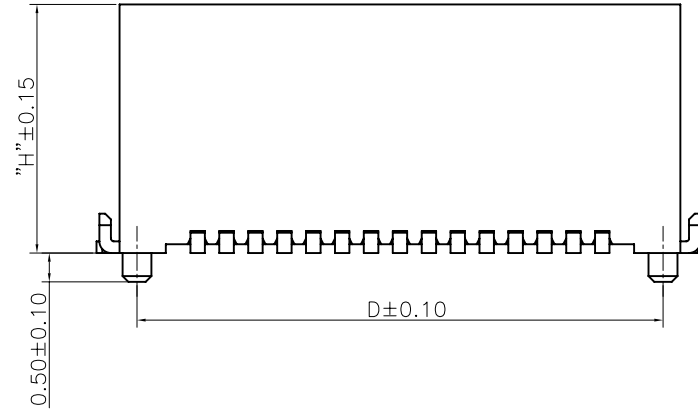
D

D



pin.No.	A	B	C	D	E
10	4.70	2.00	4.70	4.10	5.50
20	7.20	4.50	7.20	6.60	8.00
30	9.70	7.00	9.70	9.10	10.50
40	12.20	9.50	12.20	11.60	13.00
50	14.70	12.00	14.70	14.10	15.50
60	17.20	14.50	17.20	16.60	18.00

TYPE	"H"
PLUG 5	4.30
PLUG 6	4.80
PLUG 7	5.30



PLUG 5~7

dr	Guomin Sun	2015-01-19	projection	mm	size	A3	scale	3:1
eng	Guomin Sun	2015-01-19			ecn no			
chr	-	-			-			
appr	Tim Yao	2015-01-19	product family	Bergstak	rel level	-	RELEASE	
			title		0.5mm PITCH BTB CONNECTOR		rev	
www.fci.com			cat. no.		-		sheet 3 of 3	
			title		PLUG		rev	
			dwg no		10132797		4	
			Product - Customer drw					

1

2

3

4

Copyright FCI