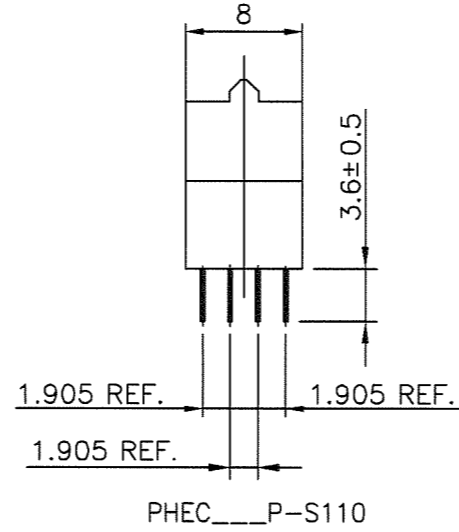
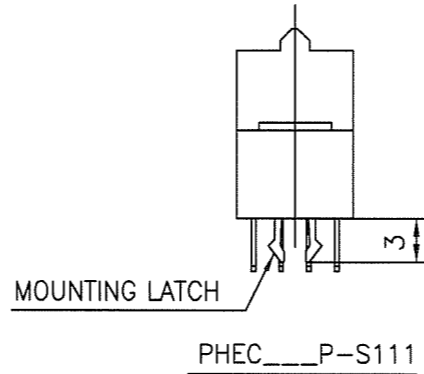
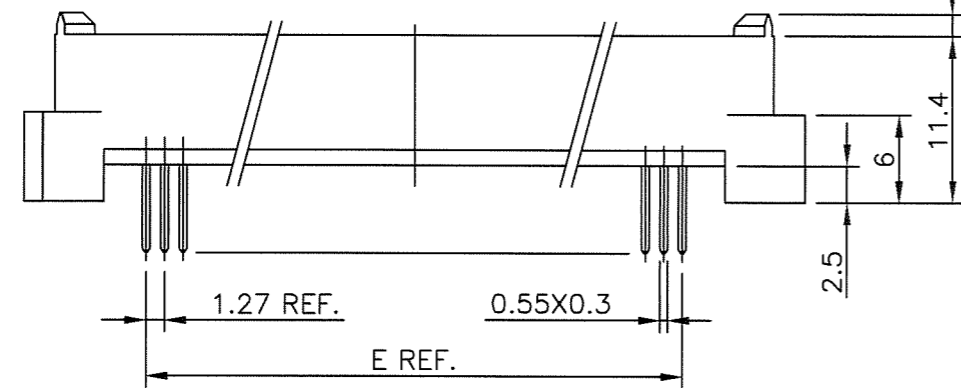
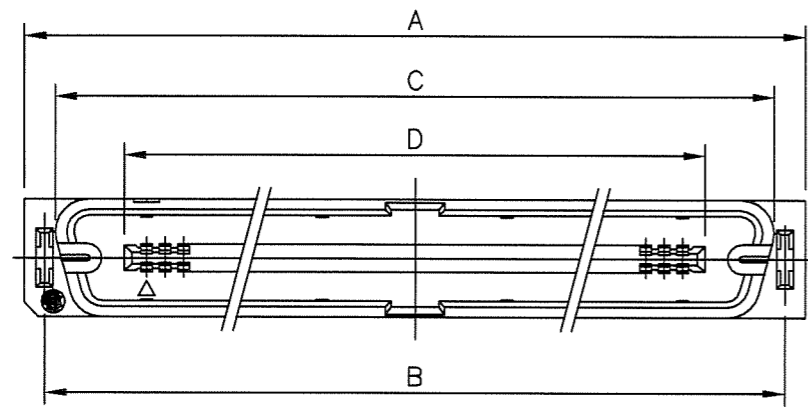
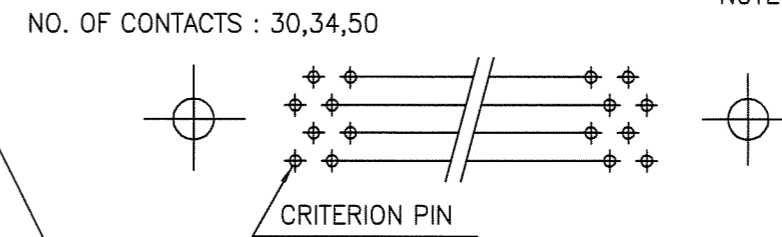
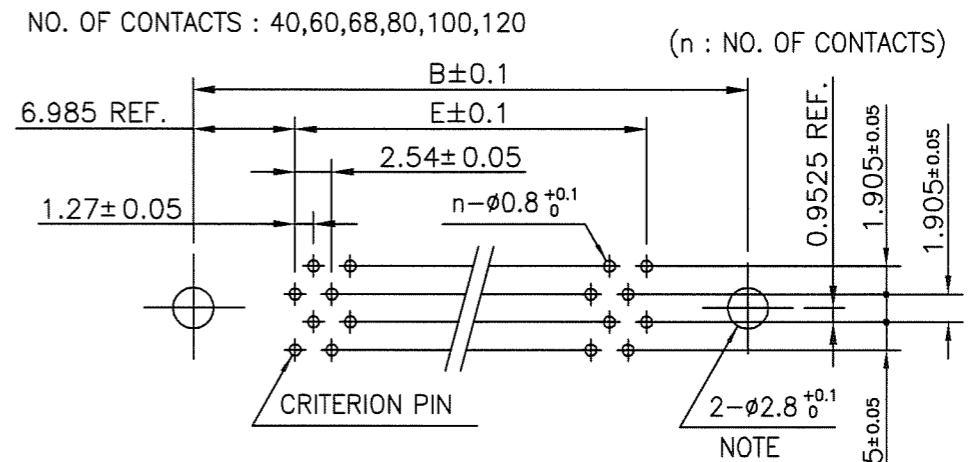


PRODUCT NO.

JSC 96356



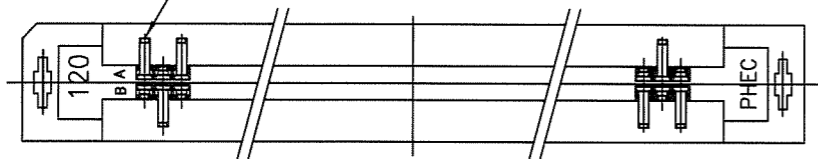
RECOMMENDED PC BOARD  
THICKNESS: 1.6 ± 0.2  
HOLE PATTERN (COMPONENT SIDE)



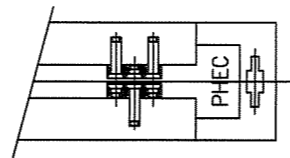
NOTE : THROUGH-HOLES FOR MOUNTING LATCHES ALSO SHOULD BE PLATED

NO. OF CONTACTS : 40,60,68,80,100,120

CRITERION PIN



NO. OF CONTACTS : 30,34,50



| CAT. NO.        | NO. OF CONTACTS<br>(MATING SIDE) | DIMENSIONS |       |       |       |       |
|-----------------|----------------------------------|------------|-------|-------|-------|-------|
|                 |                                  | A          | B     | C     | D     | E     |
| PHEC30P-S11_LF  | 15/ROW X 2 ROWS                  | 34.55      | 31.75 | 30.30 | 20.42 | 17.78 |
| PHEC34P-S11_LF  | 17/ROW X 2 ROWS                  | 37.09      | 34.29 | 32.84 | 22.96 | 20.32 |
| PHEC40P-S11_LF  | 20/ROW X 2 ROWS                  | 40.90      | 38.10 | 36.65 | 26.77 | 24.13 |
| PHEC50P-S11_LF  | 25/ROW X 2 ROWS                  | 47.25      | 44.45 | 43.00 | 33.12 | 30.48 |
| PHEC60P-S11_LF  | 30/ROW X 2 ROWS                  | 53.60      | 50.80 | 49.35 | 39.47 | 36.83 |
| PHEC68P-S11_LF  | 34/ROW X 2 ROWS                  | 58.68      | 55.88 | 54.43 | 44.55 | 41.91 |
| PHEC80P-S11_LF  | 40/ROW X 2 ROWS                  | 66.30      | 63.50 | 62.05 | 52.17 | 49.53 |
| PHEC100P-S11_LF | 50/ROW X 2 ROWS                  | 79.00      | 76.20 | 74.75 | 64.87 | 62.23 |
| PHEC120P-S11_LF | 60/ROW X 2 ROWS                  | 91.70      | 88.90 | 87.45 | 77.57 | 74.93 |

NOTES

1. BODY MATERIAL : NYLON GLASS FILLED (UL94V-0), COLOR BLACK
2. TERMINAL MATERIAL : PHOSPHOR BRONZE
3. MOUNTING LATCH MATERIAL : PHOSPHOR BRONZE
4. TERMINAL FINISH  
CONTACT AREA : GOLD FLASH 0.1µm min. OVER NICKEL UNDERLAYER  
SOLDER TAILS : PURE Sn 2µm min. OVER NICKEL UNDERLAYER
5. MOUNTING LATCH FINISH : PURE Sn 2µm min. OVER NICKEL UNDERLAYER
6. THIS PRODUCT MEETS EUROPEAN UNION DIRECTIVES AND OTHER COUNTRY REGULATIONS AS DESCRIBED IN GS-22-008
7. THE HOUSING WILL WITHSTAND EXPOSURE TO 260 DEGREE PEAK TEMPERATURE FOR 10 SECONDS IN A WAVE SOLDER APPLICATION WITH A 1.6mm MINIMUM THICK CIRCUIT BOARD.

|             |                |          |     |                  |             |                                       |            |            |        |  |  |         |
|-------------|----------------|----------|-----|------------------|-------------|---------------------------------------|------------|------------|--------|--|--|---------|
| mat'l. code |                |          |     | surface ISO 1302 |             | tolerance ISO 406 ISO 1101            |            | projection |        | product family PHEC                                  |  | CODE JP |
| ---         |                |          |     | ISO 1302         |             | tolerances unless otherwise specified |            | MM         |        | title  |  |         |
| ltr         | description    | ecn no   | dr  | date             | angles      | linear                                | 0.X ±0.3   | MM         |        | PRINTED CIRCUIT CONNECTOR (CAT.NO.PHEC ___ P-S11_LF) |  |         |
| A           | RELEASED       | J05-0186 | S.O | 3/29/05          |             |                                       | 0.XX ±0.3  | MM         |        | dwg no sheet 1 of 1 size                             |  |         |
| B           | REVISED        | J07-0047 | S.O | 1/25/07          |             |                                       | 0.XXX ±0.3 | MM         |        | JSC 96356 A3   |  |         |
| C           | REVISED        | J07-0458 | S.O | 9/11/07          | 0'±2'       |                                       |            | scale N/A  |        | type Customer Drawing                                |  |         |
|             |                |          |     | dr               | S.OKUDAIRA  | 3/29/05                               | FCI        |            | Rev. C |  |  |         |
|             |                |          |     | enr              | S.OKUDAIRA  | 9/11/07                               |            |            |        |  |  |         |
|             |                |          |     | chr              | R. Showie   | 9/11/07                               |            |            |        |  |  |         |
|             |                |          |     | appd             | D. Okudaira | 9/11/07                               |            |            |        |  |  |         |
| sheet index | revision sheet | C        | 1   |                  |             |                                       |            |            |        |  |  |         |