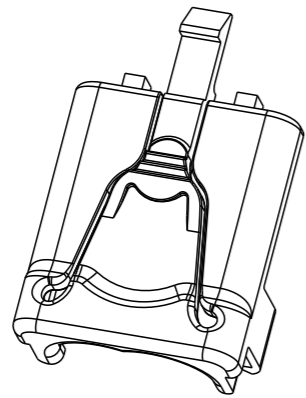
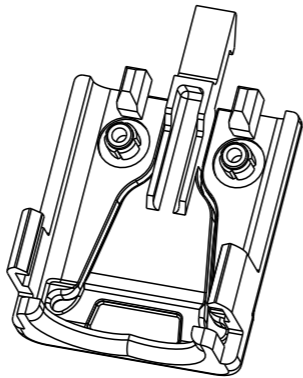


PART NUMBER	PLATING ON MATING ZONE	BOTTOM COVER	TERMINAL
10112284-001LF	TIN	TYPE I (SEE SHEET 1)	TYPE I (SEE SHEET 1)
10112284-002LF	GOLD	TYPE I (SEE SHEET 1)	TYPE I (SEE SHEET 1)

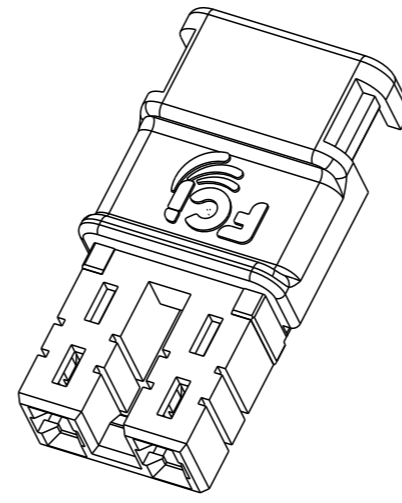


SCALE 2.000

TOP COVER

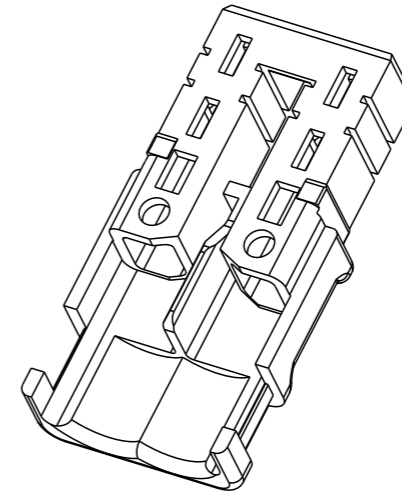


SCALE 2.000

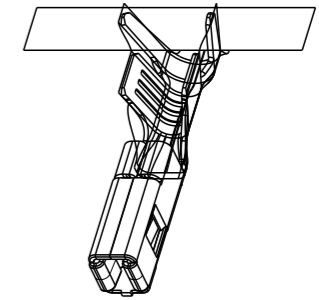


SCALE 2.000

BOTTOM COVER
TYPE I

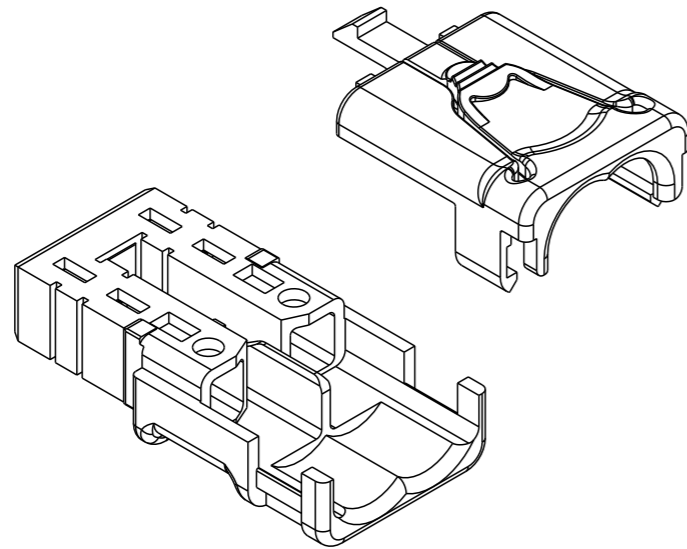


SCALE 2.000

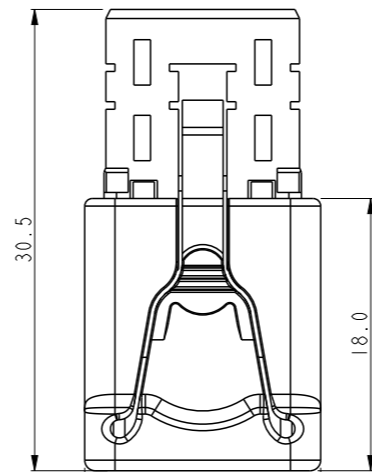


SCALE 2.000

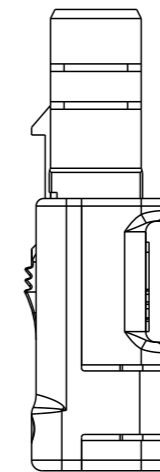
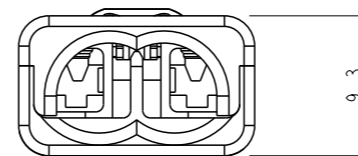
TERMINAL (2X)
TYPE I



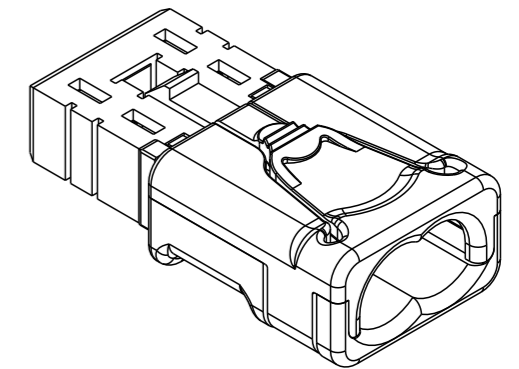
SCALE 2.000



SCALE 2.000



FINAL ASSEMBLY
(FOR CUSTOMER'S REFERENCE ONLY)



SCALE 2.000

NOTES:

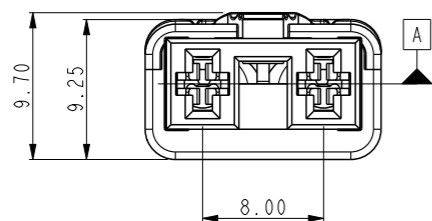
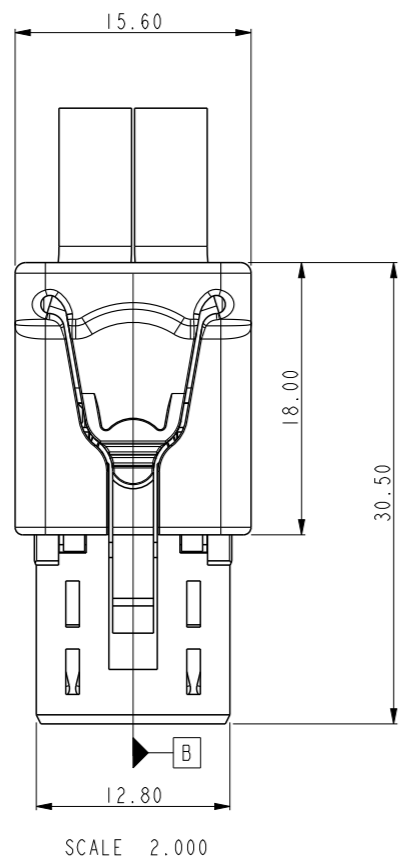
- MATERIAL:
TOP COVER AND BOTTOM COVER: THERMOPLASTIC, BLACK, FLAMMABILITY UL 94V-0,
TERMINAL: COPPER ALLOY, SEE TABLE FOR PLATING OF MATING ZONE;
- APPLICABLE WIRE SIZE:
1.0-2.5MM² CONDUCTOR CROSS SECTION, INSULATION DIAMETER 2.0-3.0mm;
- PRODUCT SPECIFICATION: GS-12-504;
- THIS DRAWING IS FOR REFERENCE INFORMATION ONLY,
THESE ITEMS ARE INCLUDED IN FCI CABLE ASSEMBLIES;
- THIS PRODUCT IS ROHS COMPLIANT AND MEETS EUROPEAN UNION
DIRECTIVES AND OTHER COUNTRY REGULATIONS AS PER GS-22-008

spec ref	dr	Rick Bian	2010/07/03	projection	MM	size	A3	scale	2.000
tolerance std	eng	Andy Zhang	2012/03/19			ecn no	ELX-N-010793-1	rel level	Released
TOLERANCES UNLESS OTHERWISE SPECIFIED									
surface ✓	linear	0.X	±0.50		title CABLE CONNECTOR KIT PwrProfile	dwg no	10112284	rev	B
		0.XX	±0.30						
		0.XXX	±						
	angular	0°	±2°	www.fci.com	cat. no.	Product - Customer Drw	sheet 1 of 2		

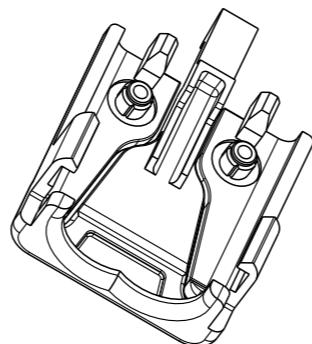
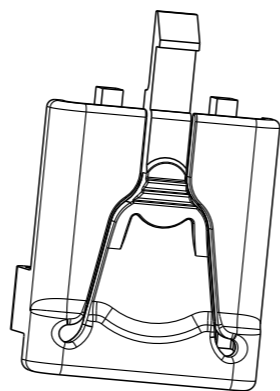


Copyright FCI.

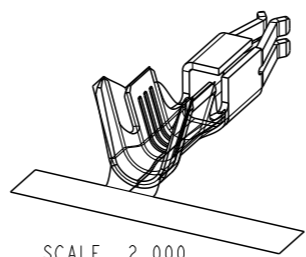
PART NUMBER	PLATING ON MATING ZONE	BOTTOM COVER	TERMINAL	PERFORMANCE COMMENT
10112284-003LF	TIN PLATED	TYPE 2 (SEE SHEET 2)	TYPE 2 (SEE SHEET 2)	SAME PERFORMANCE WITH -001LF
10112284-004LF	GOLD PLATED	TYPE 2 (SEE SHEET 2)	TYPE 2 (SEE SHEET 2)	SAME PERFORMANCE WITH -002LF
10112284-005LF	GXT PLATED	TYPE 2 (SEE SHEET 2)	TYPE 2 (SEE SHEET 2)	SAME PERFORMANCE WITH -002LF



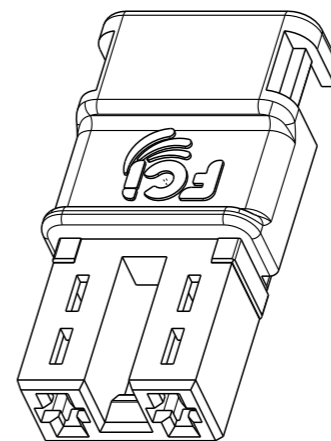
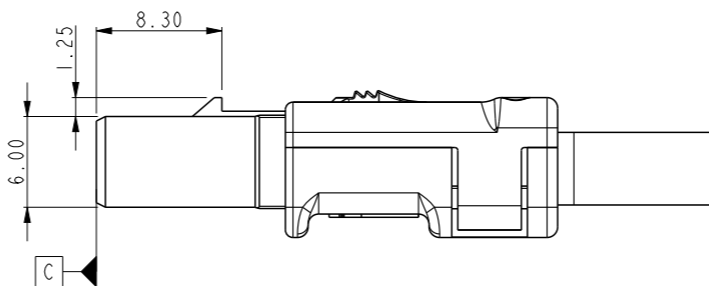
FINAL ASSEMBLY (REFERENCE ONLY)



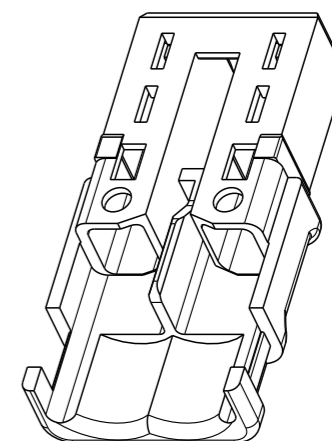
TOP COVER



TERMINAL (2X)
TYPE 2 (NEW DESIGN)

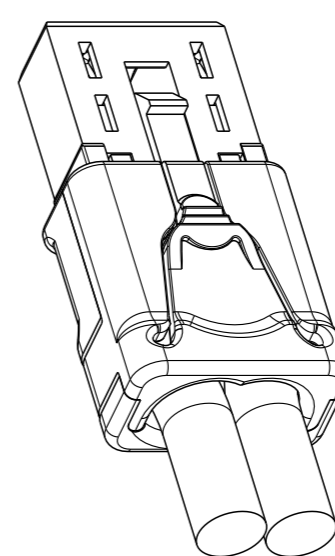


SCALE 2.000

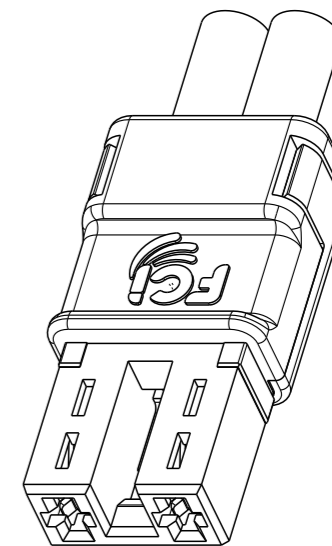


SCALE 2.000

BOTTOM COVER
TYPE 2



SCALE 2.000



SCALE 2.000

FINAL ASSEMBLY (REFERENCE ONLY)

- NOTES:
1. MATERIAL:
TOP COVER AND BOTTOM COVER: THERMOPLASTIC, BLACK, FLAMMABILITY UL 94V-0,
TERMINAL: COPPER ALLOY, SEE TABLE FOR PLATING OF MATING ZONE;
 2. APPLICABLE WIRE SIZE:
1.0~2.5MM² CONDUCTOR CROSS SECTION, INSULATION DIAMETER 2.0~3.0mm;
 3. PRODUCT SPECIFICATION: GS-12-504;
 4. THIS DRAWING IS FOR REFERENCE INFORMATION ONLY,
THESE ITEMS ARE INCLUDED IN FCI CABLE ASSEMBLIES;
 5. THIS PRODUCT IS ROHS COMPLIANT AND MEETS EUROPEAN UNION
DIRECTIVES AND OTHER COUNTRY REGULATIONS AS PER GS-22-008

spec ref	dr	Rick Bian	2010/07/03	projection	MM	size	A3	scale	2.000
tolerance std	eng	Andy Zhang	2012/03/19			ecn no	ELX-N-010793-1	rel level	Released
TOLERANCES UNLESS OTHERWISE SPECIFIED									
surface ✓	linear	0.X	±0.50		title CABLE CONNECTOR KIT PwrProfile	dwg no	10112284	rev	B
		0.XX	±0.30						
		0.XXX	±-						
	angular	0°	±2°	www.fci.com	cat. no.	Product - Customer Drw	sheet 2 of 2		



Copyright FCI.