

1

2

3

4

A

B

C

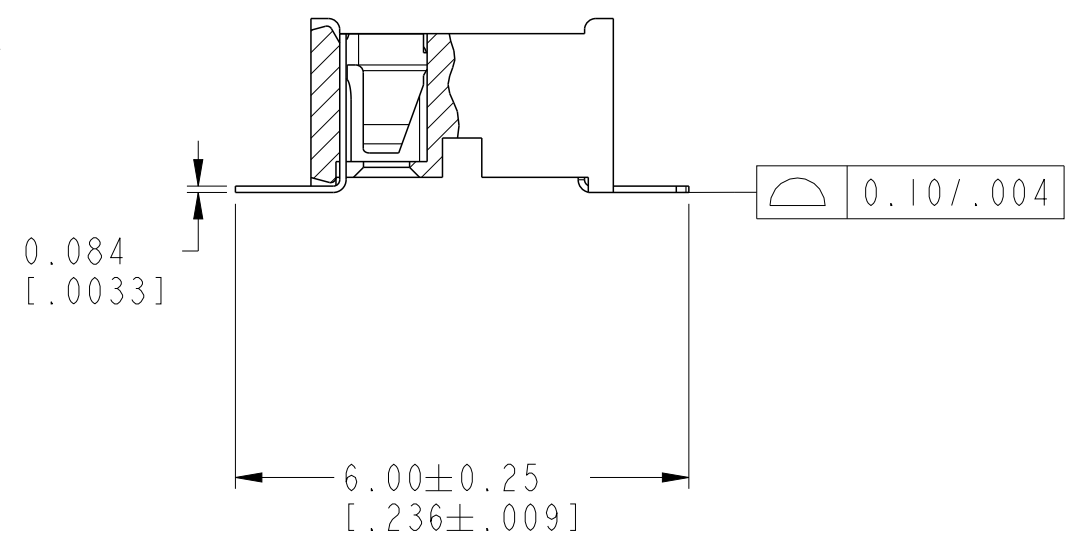
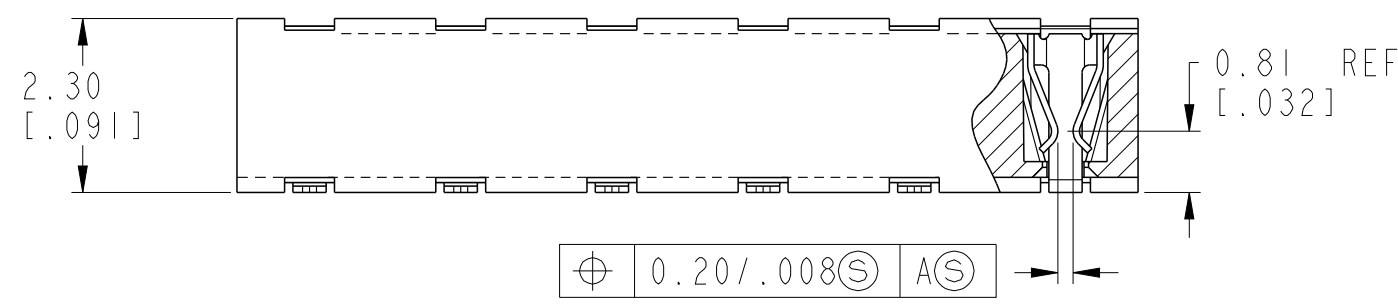
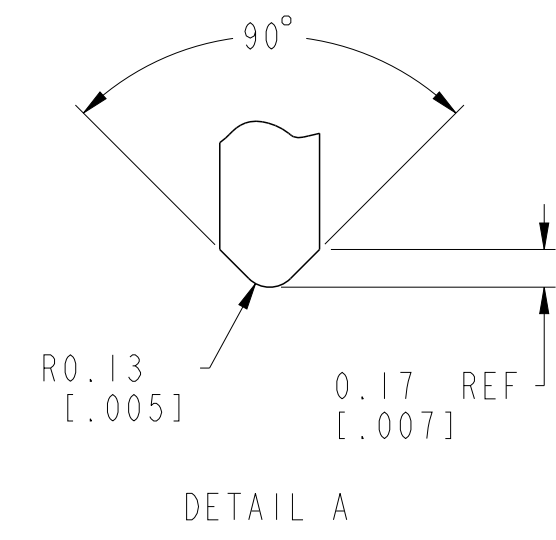
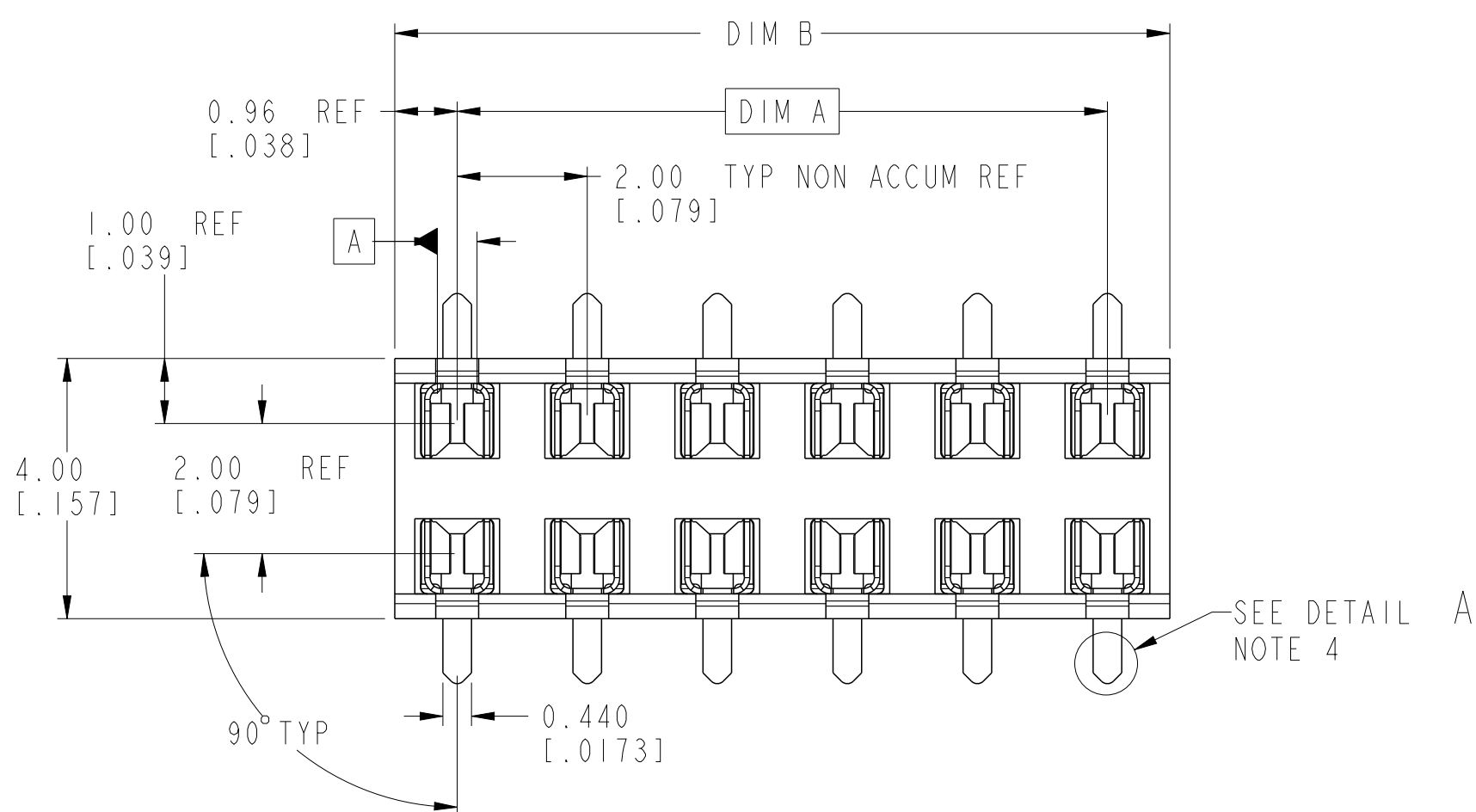
D

A

B

C

D



Copyright FCI.

| | | | | | | | | | | |
|---------------|---------------------|----------|-------------|------------|-------------|--|-----------------|------------------------|----------------|-------|
| spec ref | - | dr | Andrew Yong | 2010/10/21 | projection | MM / INCH | size | A3 | scale | 10:1 |
| tolerance std | ISO 406 ISO 1101 | eng | Guo-Min Sun | 2013/01/29 | | | ecn no | ELX-N-13923-1 | | |
| surface | ✓ | chr | - | appr | | | Rick Bian | 2013/01/30 | product family | LPVCC |
| | | linear | 0.X | ±0.3 | | LOW PROFILE VCC BOTTOM ENTRY SMT 2.3mm ASSY | dwg no 91596 | rev Y | | |
| | | | 0.XX | ±0.13 | | | | | | |
| | | angular | 0° | ±2° | | | | | | |
| | | ISO 1302 | | | www.fci.com | cat. no. | - | Product - Customer Drw | sheet 1 of 2 | |

2

3

| PRODUCT NO | POSITIONS | DIM. A | DIM. B |
|------------|-----------|---------------|---------------|
| 91596-X04 | 2 X 2 | 2.00 / .079 | 3.92 / .154 |
| -X06 | 2 X 3 | 4.00 / .158 | 5.92 / .233 |
| -X08 | 2 X 4 | 6.00 / .236 | 7.92 / .312 |
| -X10 | 2 X 5 | 8.00 / .315 | 9.92 / .391 |
| -X12 | 2 X 6 | 10.00 / .394 | 11.92 / .469 |
| -X14 | 2 X 7 | 12.00 / .472 | 13.92 / .548 |
| -X16 | 2 X 8 | 14.00 / .551 | 15.92 / .627 |
| -X18 | 2 X 9 | 16.00 / .630 | 17.92 / .706 |
| -X20 | 2 X 10 | 18.00 / .709 | 19.92 / .784 |
| -X22 | 2 X 11 | 20.00 / .787 | 21.92 / .863 |
| -X24 | 2 X 12 | 22.00 / .866 | 23.92 / .942 |
| -X26 | 2 X 13 | 24.00 / .945 | 25.92 / 1.020 |
| -X28 | 2 X 14 | 26.00 / 1.024 | 27.92 / 1.099 |
| -X30 | 2 X 15 | 28.00 / 1.102 | 29.92 / 1.178 |

| CONTACT AREA PLATING OPTIONS |
|------------------------------|
| 0=0.20um/8u"Au ON CONTACT. |
| 1=0.76um/30u"Au ON CONTACT. |
| 3=0.38um/15u"Au ON CONTACT. |
| 4=0.76um/30u"GXT ON CONTACT. |
| 5=0.38um/15u"GXT ON CONTACT. |

NOTES:

- HOUSING MAT'L : HIGH TEMP PLASTIC.
- TERMINAL MAT'L : BeCu.
- TERMINAL RETENTION 0.5Kg/1.1 Lbs.
- 'V' CUT OPTIONAL - MANUFACTURING PROCESS OPTION.
- PRODUCT DESCRIPTION CODE:

XXXXX-X XXLF



6. PACKAGING:

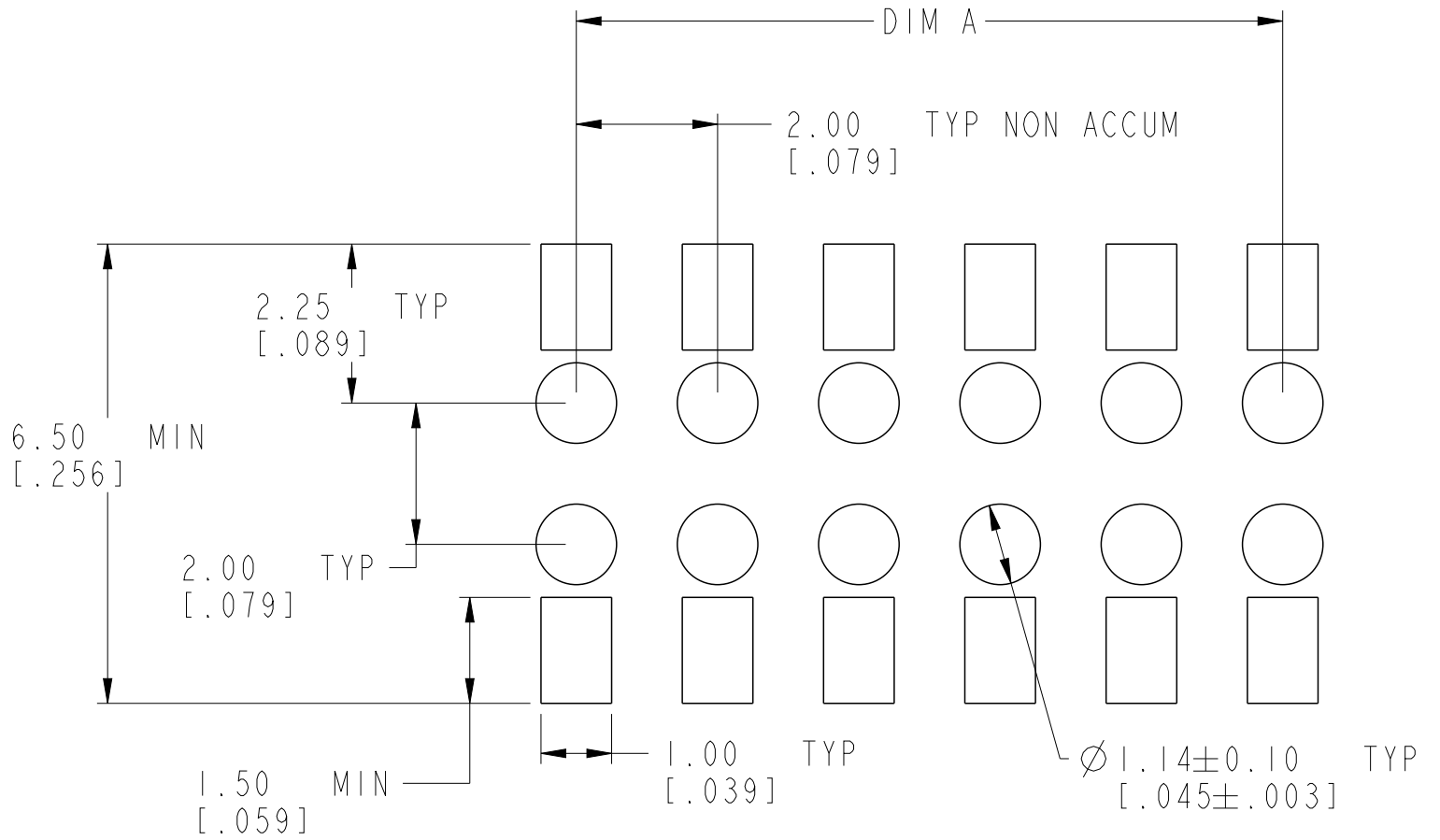
- (a) XXXXX-XXX ---STD PACKAGING IN TUBE.
- (b) XXXXX-XXXTR ---TAPE AND REEL (CONDUCTIVE) PACKAGING WITH PICK-UP CAP (SEE FIG 1).
- (c) XXXXX-XXXTRN ---TAPE AND REEL (CONDUCTIVE) PACKAGING WITHOUT PICK-UP CAP.
- (d) XXXXX-XXXCR ---TAPE AND REEL (NON-CONDUCTIVE) PACKAGING WITH PICK-UP CAP (SEE FIG 1).
- (e) XXXXX-XXXCRN ---TAPE AND REEL (NON-CONDUCTIVE) PACKAGING WITHOUT PICK-UP CAP.

7. SOLDER TAILS PLATING:

- a) SOLDER TAIL OF P/N:91596-XXX IS TIN/LEAD PLATED.
- b) SOLDER TAIL OF P/N:91596-XXXLF IS GOLD FLASH PLATED.

8. THE HOUSING WILL WITHSTAND EXPOSURE TO 255°C PEAK TEMPERATURE FOR 10 SECONDS IN A CONVECTION, INFRA-RED OR VAPOR PHASE REFLOW OVEN.

9. THIS PRODUCT MEETS EUROPEAN UNION DIRECTIVES AND OTHER COUNTRY REGULATIONS AS DESCRIBED IN GS-22-008.



RECOMMENDED PAD LAYOUT

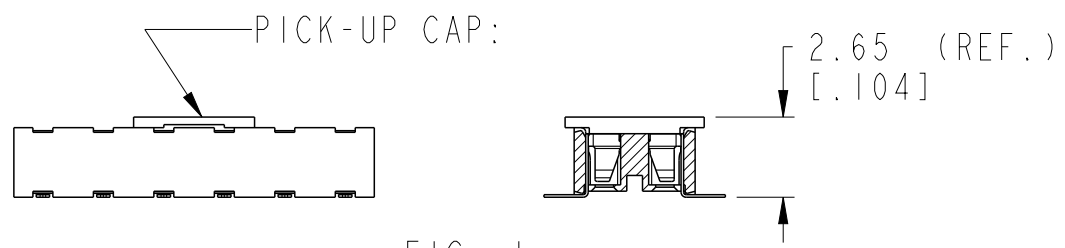


FIG. 1
NOTE 6 (b) & (d)

| | | | | | | | | |
|-------------|-------------|------------|-----------------------------|-----------|-----------|--------------|---------------|-------|
| dr | Andrew Yong | 2010/10/21 | projection | MM / INCH | size | A3 | scale | 10:1 |
| eng | Guo-Min Sun | 2013/01/29 | | | ecn no | | ELX-N-13923-1 | |
| chr | - | - | | | rel level | | Released | |
| appr | Rick Bian | 2013/01/30 | product family | | LPVCC | | rev | |
| | | | LOW PROFILE VCC | | | dwg no | | 91596 |
| www.fci.com | | | BOTTOM ENTRY SMT 2.3mm ASSY | | | cat. no. | | - |
| | | | Product - Customer Drw | | | sheet 2 of 2 | | Y |

Copyright FCI. FCI