

Automotive Quad Low Side Driver

The MC33385 is a Quad Low Side Driver fully protected switch. This device is a general purpose Low Side Driver but has been especially designed to operate in engine management application as injector driver or automotive gear box. It is interfaced directly with a microcontroller for parallel control of the load and the individual output diagnostic is done through a SPI. The diagnostic logic recognizes 4 failure types at each output stage the overcurrent, the short to GND, the openload and the over-temperature.

- RDSON of 250mΩ per Output at 25°C
- Supplied from the main 5V Vcc
- Input CMOS Compatible
- Diagnostic through SPI
- Nominal Current of 2A per Output
- Current Limitation at 3A with Automatic Turn Off
- Output Internally Clamped at 50V typ for Inductive Load Drive
- Junction to Case Thermal Resistance of 4.4°C/W
- Individual Output over Temperature Shutdown

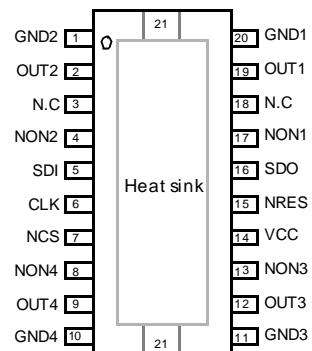
QUAD LOW SIDE DRIVER

SEMICONDUCTOR
TECHNICAL DATA



DH SUFFIX
HSOP20 PACKAGE

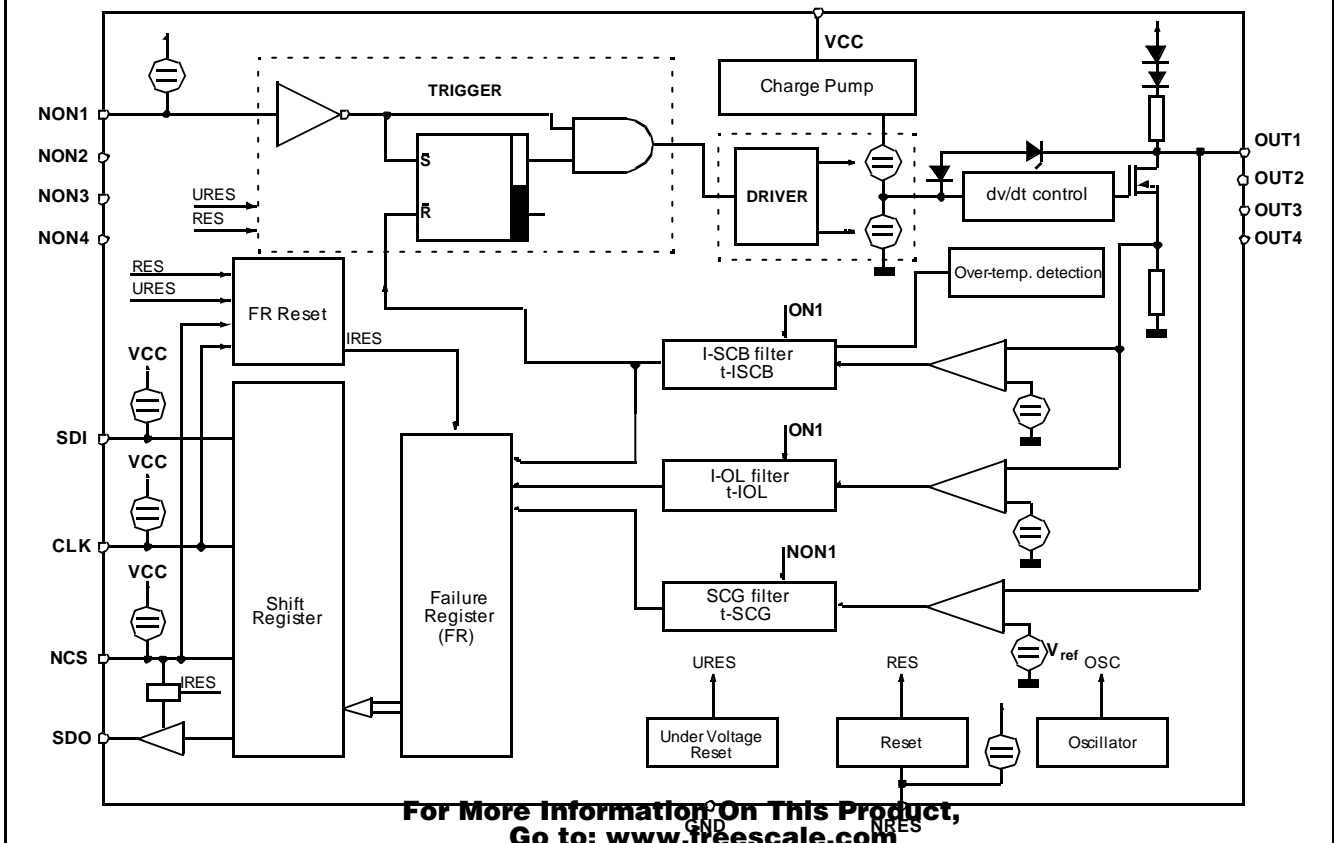
PIN ASSIGNMENT



ORDERING INFORMATION

Device	Temperature Range	Package
MC33385DH	-40°C to +125°C	HSOP20

Simplified Block Diagram



For More Information On This Product,
Go to: www.freescale.com

Freescale Semiconductor, Inc.

MAXIMUM RATINGS $T_J = -40^{\circ}\text{C}$ up to 150°C

Ratings	Symbols	Min	Max	Unit
---------	---------	-----	-----	------

SUPPLY VOLTAGE

Voltage Range	V_{CC}	- 0.3	7	V
---------------	----------	-------	---	---

OUTPUTS : 1...4

Continuous Output Voltage (With no reverse current)	V_{out}	- 0.3	45	V
Continuous Current	I_{outc}		2.5	A
Peak Output Current	I_{outp}	- 10	I_{SCBmax}	A
Clamped Energy at the Switching OFF (See figure 6)	W_{OFF}		70	mJ for 1ms

INPUTS

Input Voltage (Inputs)	V_{IN}	- 0.3	$V_{CC} + 0.3$	V
Input Protection Diode Current	I_{IN}	- 20	1	mA

OUTPUTS : SDO

Input Voltage (Outputs)	V_o	- 0.3	$V_{CC} + 0.3$	V
Input Protection Diode Current	I_o	- 20	1	mA

THERMAL RATINGS

Operating Junction Temperature	T_J	- 40	150	$^{\circ}\text{C}$
Thermal Resistance : Junction-case (One powerstage in use)	R_{thjc}		4.5	K/W
Thermal Resistance : Junction-ambient (Device soldered on printed circuit board)	R_{thja}		50	K/W

RANGE OF FUNCTIONALITY $T_{case} = -40^{\circ}\text{C}$ up to 125°C

Ratings	Symbols	Min	Max	Unit
---------	---------	-----	-----	------

SUPPLY VOLTAGE

Supply Voltage Range	V_{CC}	4.5	5.5	V
----------------------	----------	-----	-----	---

JUNCTION TEMPERATURE

Junction Temperature Continuous (Continuous)	T_{j1}	- 40	150	$^{\circ}\text{C}$
Junction Temperature Dynamical (Time limited)	T_{j2}		185	$^{\circ}\text{C}$

OUTPUT CURRENT

Output Current Range	I_{out}		I_{SCBmax}	
----------------------	-----------	--	--------------	--

RESET BEHAVIOUR

Reset Changeable (at NRES-Pin)	V_{CC}	V_{CCRES}	5.5	V
Undervoltage Reset (Independent of NRES) Active for $V_{CC} = 0\text{V}$ to V_{CCPRO}	V_{CCRES}	3.35	3.95	V

UNDERVOLTAGE PROTECTION

Protection active for $V_{CC}=0\text{V}$ to V_{CCpro}	V_{CCPRO}	1.5	4.0	V
---	-------------	-----	-----	---

OVER TEMPERATURE

Temperature Detection Threshold	T_{OFF}	155	185	$^{\circ}\text{C}$
---------------------------------	-----------	-----	-----	--------------------

Freescale Semiconductor, Inc.

ELECTRICAL CHARACTERISTICS $T_{CASE} = -40^{\circ}$ up to $+125^{\circ}C$ and $V_{CC} = 4.5V$ up to $5.5V$

Parameters	Symbol	Min	Typ	Max	Unit
------------	--------	-----	-----	-----	------

SUPPLY CURRENT

Standby Current (without load) (NON1...NON4 = High Level) $5.15V \geq V_{CC}$ $5.5V \geq V_{CC}$	I_{ccSTB1} I_{ccSTB2}			6 7	mA mA
Operating Mode (For $5.15V \geq V_{CC}$) (Iout 1...4) = 2A	I_{ccOPM}			17	mA
ΔI_{cc} During Reverse Output Current (Iout = -5A on one output)	ΔI_{cc}			100 50	mA mA

INPUTS

NONx, NCS, CLK, NRES, SDI					
Low Threshold	VINL	-0.3		$0.2 \cdot V_{CC}$	V
High Threshold	VINH	$0.7 \cdot V_{CC}$		$V_{CC} + 0.3$	V
Hysteresis	V_{hyst}	0.85			V
Input Current ($V_{in} = V_{CC}$)	IIN			10	μA
Input Current ($V_{CC} > V_{RES}$ & $0V < V_{IN} < 0.9 \cdot V_{CC}$)	IIN	-100		-20	μA
Input Frequency (NON1 to NON4)	fIN	0		1000	Hz

SERIAL DATA OUTPUT

High Output Level (ISDO = -2mA)	VSDOH	$V_{CC} - 0.4$			V
Low Output Level (ISDO = 3.2mA)	VSDOL			0.4	V
Tristate Leakage Current (NCS = HIGH, VSDO = 0V to V_{CC})	ISDOL	-10		10	μA

OUTPUTS (Out 1...4)

Average Output Current	I_{outa}	2.5			A
Output Peak Current	I_{outp}	ISCBmax			A
Leakage Current 1 (NON = High, $V_{out} = 25V$, $V_{CC} = 5V$)	I_{outL1}			10	μA
Leakage Current 2 (NON = High, $V_{out} = 16V$, $V_{CC} = 1V$)	I_{outL2}			10	μA
Output Clamp Voltage (Iout = 1A)	V_{clp}	45	50	58	V
Matching Clamp Voltage (Between two outputs)	V_{dpm}	V_{clp-1}		V_{clp+1}	V
Clamped Energy at the Switching OFF (See graph 6)	W_{OFF}	50			mJ for 1ms
On Resistance (Iout = 2A, $T_j = 150^{\circ}C$, NON = LOW)	RDSON			500	m Ω
Output Low Voltage Limitation (Iout = 150mA)	V_{outlim}	65		220	mV
Output Capacitance (Guaranteed by design)	Cout			350	pF

OUTPUTS TIMING

Positive Output Voltage Ramp (with inductive load) $V_{out} = 4V \dots 16V$ $V_{out} = 16V \dots V_{clp}$	OVRp1 OVRp2	2 3.5	3 6	5 10	V/ μs V/ μs
Negative Output Voltage Ramp (25%... 75%)	OVRn	1.75	3	4	V/ μs
Internal Switch-on-Time Charge Pump (NON = LOW... $V_{Gate} = 0.9 \cdot V_{Bat}$)	t_{dCP}			40	μs
Turn ON Delay (NON = 50%, $V_{out} = 0.9 \cdot V_{Bat}$)	t_{dON}	1	2.5	5	μs

ELECTRICAL CHARACTERISTICS $T_{CASE} = -40^{\circ}$ up to $+125^{\circ}C$ and $V_{CC} = 4.5V$ up to $5.5V$

Parameters	Symbol	Min	Typ	Max	Unit
Turn OFF Delay (NON = 50%, $V_{out} = 0.1 * V_{Bat}$) (NON = 50%, $V_{out} = 4V$)	t_{dOFFa} t_{dOFFb}		1 4.7	3 7.5	μs μs
Undervoltage Protection Max ON time after a output voltage ramp from 0V to 25V at $V_{CC} = 0V \dots V_{CCpro}$	t_{rpON}			100	μs
Matching Turn ON Delay (NON = 50%, $V_{out} = 0.9 * V_{Bat}$)	t_{mON}	- 3		3	μs
Rise time Turn OFF (10% - 90% of V_{dp})	t_{rOFF}		8.5	12	

OUTPUTS REVERSE DIODE

Reverse Output Current	I_{RD}	2,5			A
Reverse Peakcurrent (Note 1 and 2)	I_{RDP}	5			A
Reverse Voltage Drop - $I_{out} = - 5A$ - $I_{out} = - 2,5A$	V_{RD1} V_{RD2}	1.0 0.85		1.7 1.7	V V

POWERSTAGE PROTECTION

Short Current Limit	I_{SCB}	3.0		5	A
Short Circuit Delay Time	t_{SCB}	0.2		2	μs
V_{CC} Undervoltage	V_{CCmin}	3.35		3.95	V

DIAGNOSTIC

Short to GND Threshold Voltage for $I_{OUT} \leq 2A$	V_{REF}	$0.390xV_{CC}$		$0.435xV_{CC}$	V
Short to GND Filter Time	T_{SCG}	140		250	μs
Open Load Threshold Current	I_{OL}	10		50	mA
Open Load Filter Time	t_{OL}	140		250	μs
Pull-up Resistor	R_{OL}	2.0		8.0	k Ω
Temperature Detection Threshold	T_{OFF}	155		185	$^{\circ}C$

NOTES 1&2: For $t \leq 2ms$. Max. reverse current is limited to - 10A (for all outputs together)

SERIAL DIAGNOSTIC LINK : Load Capacitor at SDI and SDO = 100pF

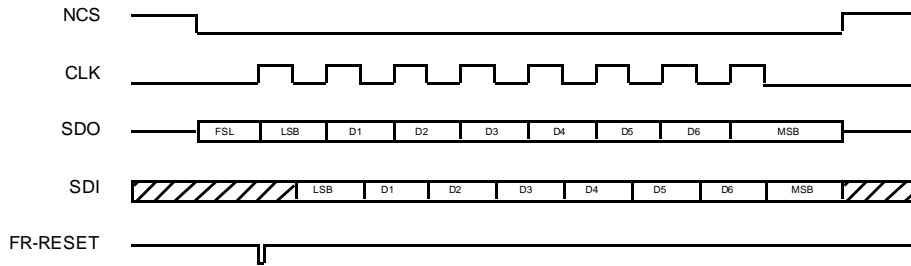
Clock Frequency (50% duty cycle)	fclk	3			MHz
Minimum Time CLK = HIGH	tclh	100			ns
Minimum Time CLK = LOW	tcll	100			ns
Propagation Delay (CLF Data at SDO valid)	tpcl			100	ns
NCS = LOW to Data at SDO Valid	tpcl			100	ns
CLK Low Before NCS Low (Setup time CLK to NCS change H/L)	tsclch	100			ns
CLK Change L/H after NCS = Low	thclcl	100			ns
SDI Input Set up Time (CLK change H/Lafter SDI data valid)	tscl	20			ns
SDI Input Hold Time (SDI data hold after CLK change H/L)	thcl			20	ns
CLK Low Before NCS High	tsclcl	150			ns
CLK High After NCS High	thclch	150			ns

ELECTRICAL CHARACTERISTICS $T_{CASE} = -40^{\circ}$ up to $+125^{\circ}C$ and $V_{CC} = 4.5V$ up to $5.5V$

Parameters	Symbol	Min	Typ	Max	Unit
NCSL/H ti Output Data Flout	tpchdz			100	ns
Capacitance at SDI, SDO, CLK, CS	tpcld			10	pF
NCS Filtertime (Pulses $\leq t_{fNCS}$ will be ignored)	t_{fNCS}	10		40	ns

DIAGNOSTIC REGISTER AND SPI TIMING

Figure1- Timing Diagram to Read the Diagnostic Register



NOTE : FR -RESET means Reset failure storage (internal signal)

Figure2 - Diagnostic Failure Register Structure

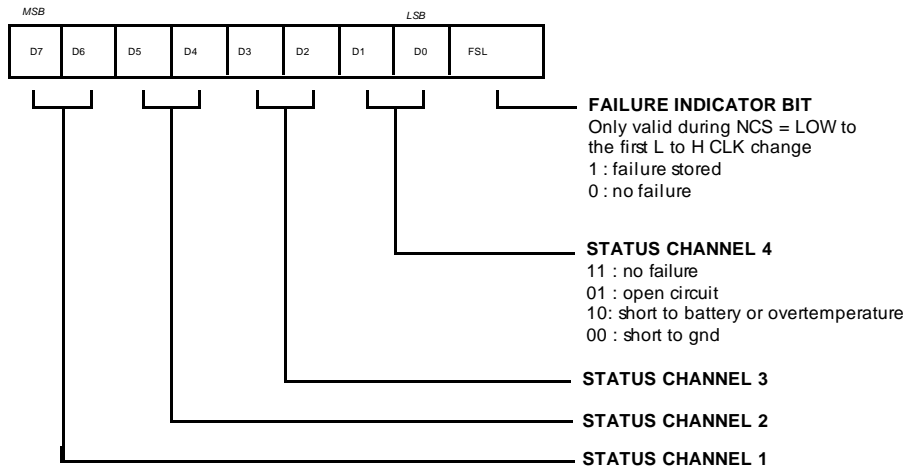


Figure3- Serial Interface Timing

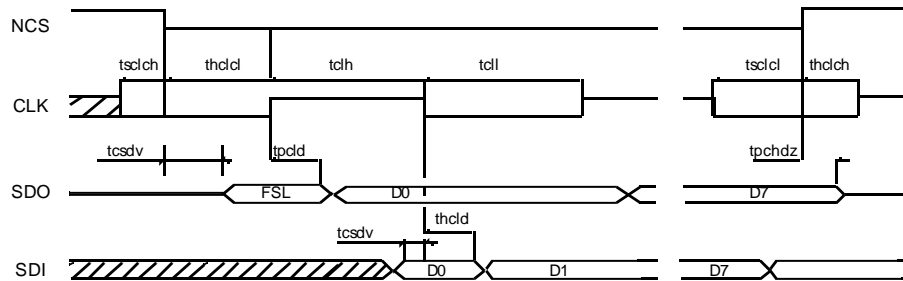


Figure 4 - Diagram to Short-Circuit to GND Failure (SCG-Failure) Detection

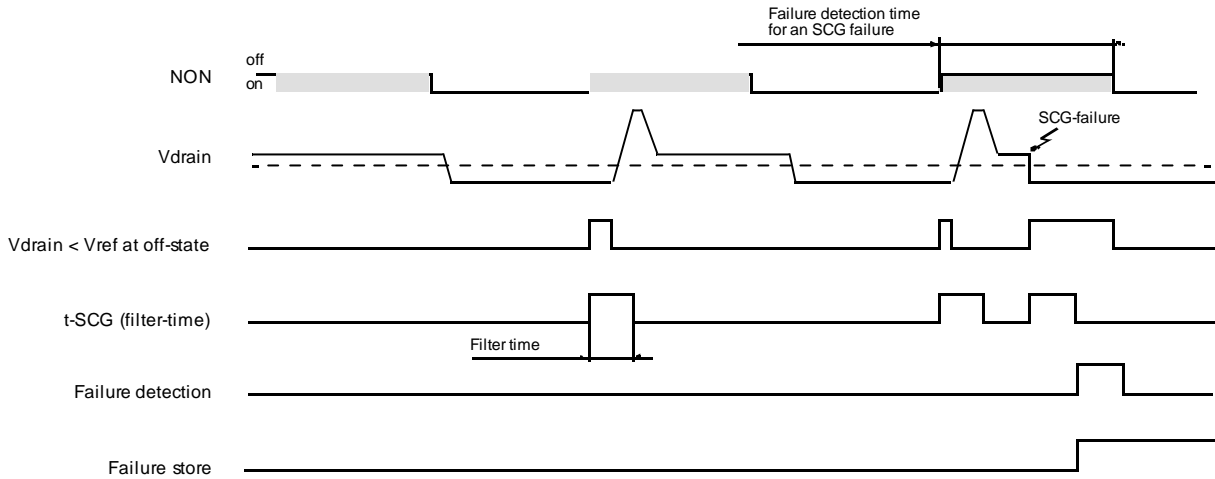


Figure5- Diagram to Open Load Failure (OL-Failure) Detection

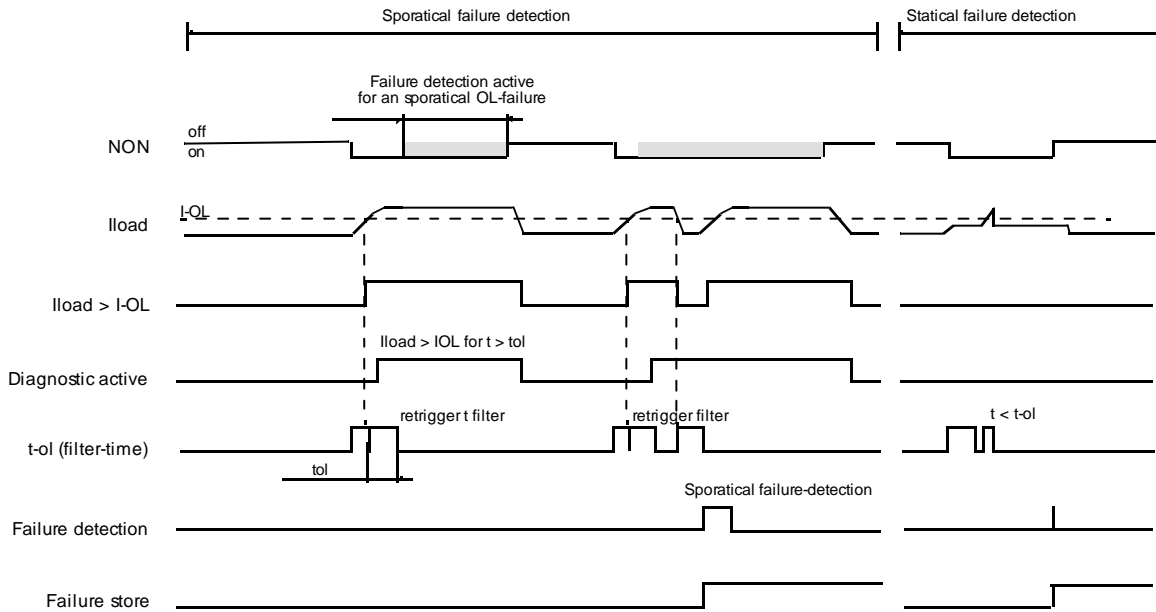
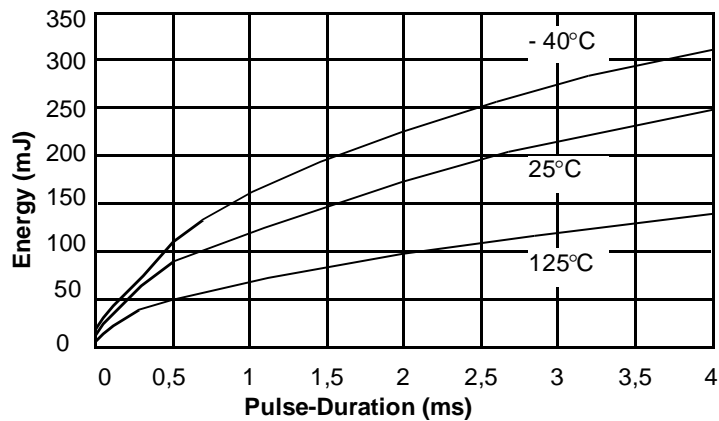


Figure6- Max Clamp- Energy Specification



Freescale Semiconductor, Inc.

Introduction

The device is a Quad Low Side Driver driven by four CMOS input stages. Each output power transistor is protected against short to V_{BAT} and by a zener clamp against overvoltage.

A diagnostic logic recognizes four failure types at the output stage : overcurrent, short to GND, open-load and overtemperature.

The failures are individually stored in a byte which can be read out via a serial interface (SPI).

Output Stage Control

Each of the four output stages is switched ON and OFF by an individual control line (NON-Input). The logic level of the control line is CMOS compatible. The output transistors are switched off when the inputs are not connected.

Power Transistors

Each of the four output stages has its own zener clamp. This causes a voltage limitation at the power transistors when inductive loads are switched off. Drain voltage ramp occurring when output is switched on or off, is within defined limits. Output transistors can be connected in parallel to increase current capability. In this case, the associated inputs should be connected together.

Short-Circuit and Overtemperature Protection

If the output current increases above the short current limit for a time longer than t_{SCB} or if the temperature increases above T_{OFF} then the power transistor is immediately switched off. It remains switched off until the control signal on the NON-Input is switched off and on again.

Diagnostics

Following failures at the output stage are recognized :

- Short -Circuit to V_{BAT} or overtemp..... = SCB (Highest priority)
- Short -Circuit to GND..... = SCG
- Open Load..... = OL (Lowest priority)

The SCB failure is recognized by an overcurrent (current above the short current limit) or an overtemperature.

If the current through the output stage is lower than the IOL-reference, after a filter time an OL failure will be recognized. This measurement is active while the power stage is switched on.

The SCG failure will recognize when the drain voltage is lower than the OL reference limit, while the output stage is switched off. All four outputs have an independent overtemperature detection and shutdown. All failures are stored in individual registers.

They can be read by the microprocessor via the serial interface. There is no failure detected if the power stage control time is shorter than the filter time.

Diagnostic Interface

The communication between the microprocessor and the failure register runs via the SPI link. If there is a failure stored in the failure register, the first bit of the shift register is set to a high level. With the H/L change on the NCS pin the first bit of the diagnostic shift register will be transmitted to the SDO output. The SDO output is the serial output from the diagnostic shift register and it is tristated when the NCS pin is high. The CLK pin clocks the diagnostic shift register. New SDO data will appear on every rising edge of this pin and new SDI data will be latched on every CLK' s falling edge into the shift register. With the first positive pulse of the CLK, the failure register will be cleared. There is no bus collision at a small spike at the NCS. The CLK is always LOW while the NCS-signal is changing.

Reset

There are two different reset functions realised :

Under voltage reset : as long as the V_{CC} voltage is lower than V_{CCRES} , the power stages are switched off and the failure-register are reseted.

Reset pin : as long as the NRES-pin is low, following circuits are reseted :

- Powerstages
- Failure register

Undervoltage Protection

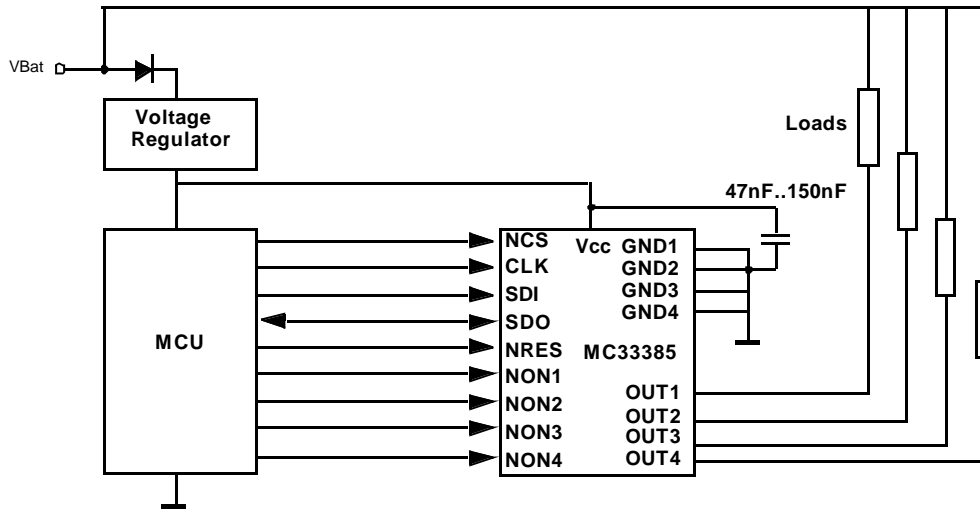
At low V_{CC} voltage, the device remains switched off even if there is a voltage ramp at the OUT pin.

Freescale Semiconductor, Inc.

This device is dedicated to automotive applications such as engine managements systems, automatic gear box... It interfaces between the microcontroller and the actuors of the system.

The loads can be only resistive or resistive and inductive such as injectors, EGR valves...etc... Following is an example of application schematic, see figure below.

Figure7- Typical Application



PINS FUNCTION DESCRIPTION

Pin No.	Function	Description
1	GND2	Ground 2
2	OUT2	Output Channel 2
3		NC
4	NON2	Input Control Signal for Channel 2
5	SDI	Serial Data Input
6	CLK	Clock Line for Serial Interface
7	NCS	Chip Select for Serial Interface
8	NON4	Input Control Signal for Channel 4
9	OUT4	Output Channel 4
10	GND4	Ground 4
11	GND3	Ground 3
12	OUT3	Output Channel 3
13	NON3	Input Control Signal for Channel 3
14	Vcc	5V Power Supply
15	NRES	Reset Input
16	SDO	Data Output of Serial Interface
17	NON1	Input Control Signal Channel 1
18		NC
19	OUT1	Output Channel 1
20	GND1	Ground 1
	Case	Connected to the PCB Ground for Thermal Purposes

Freescale Semiconductor, Inc.

Freescale Semiconductor, Inc.

Figure8- Standby Current versus Temperature

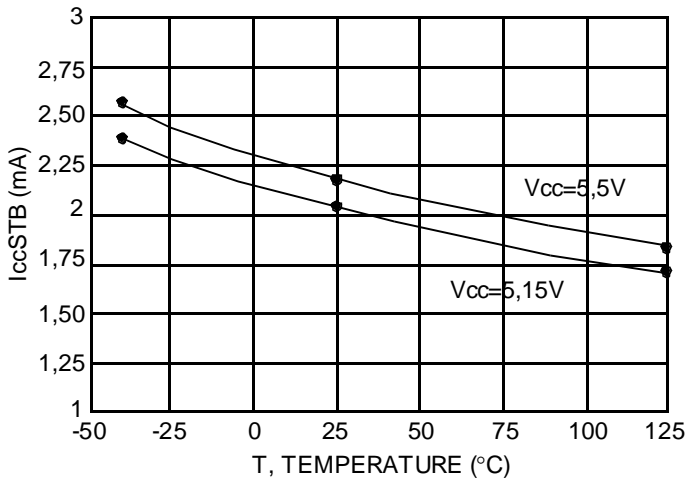


Figure9- Operating Mode Current versus Temperature

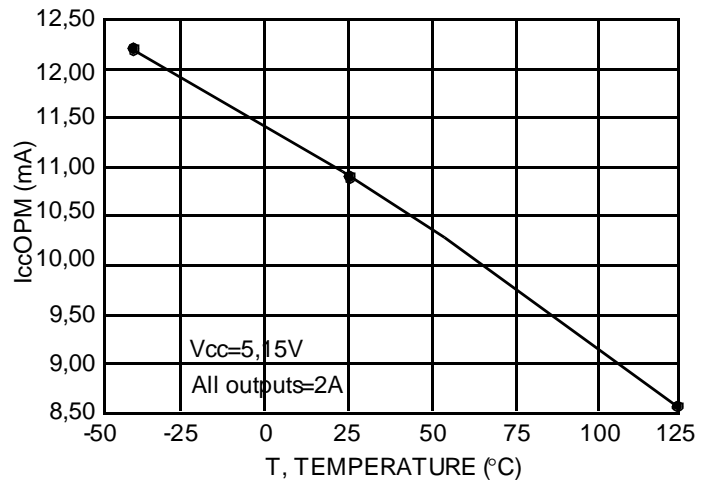


Figure10- Low Threshold Input Voltage versus Temperature

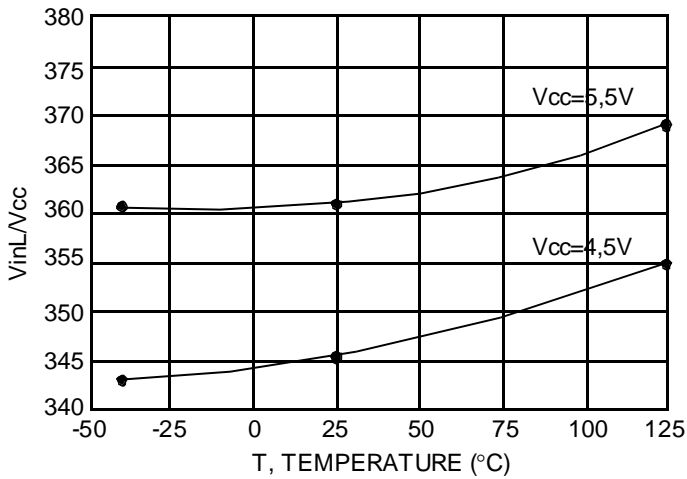


Figure11- High Threshold Input Voltage versus Temperature

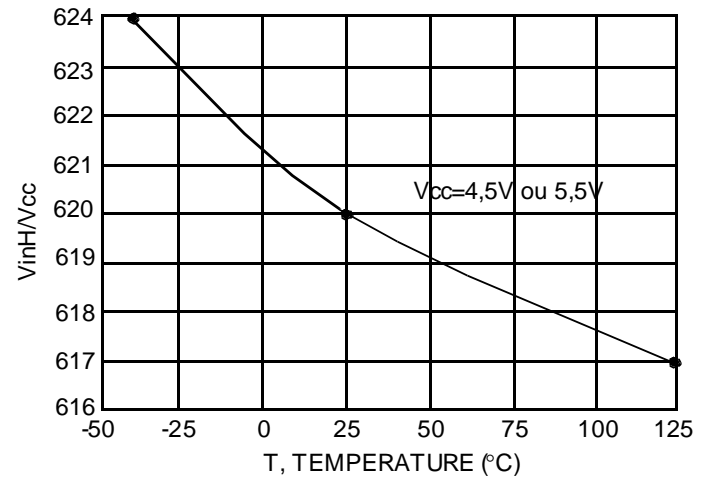


Figure12- Output Clamp Voltage versus Temperature

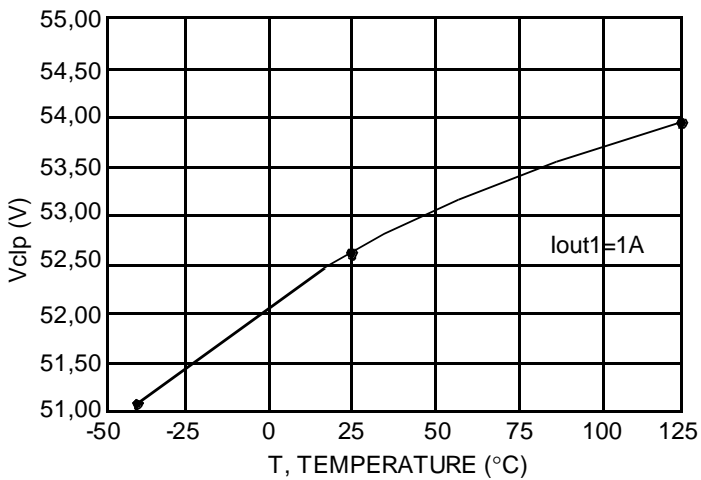
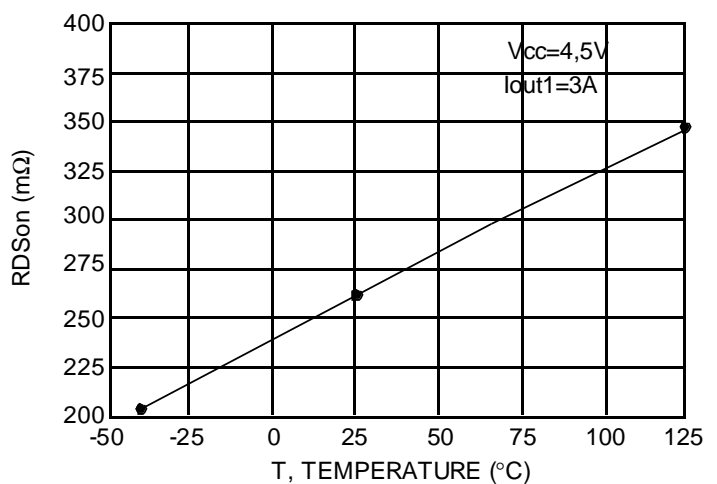


Figure13 - RdsOn versus Temperature



Freescale Semiconductor, Inc.

Freescale Semiconductor, Inc.

Figure14- Open Load versus Temperature

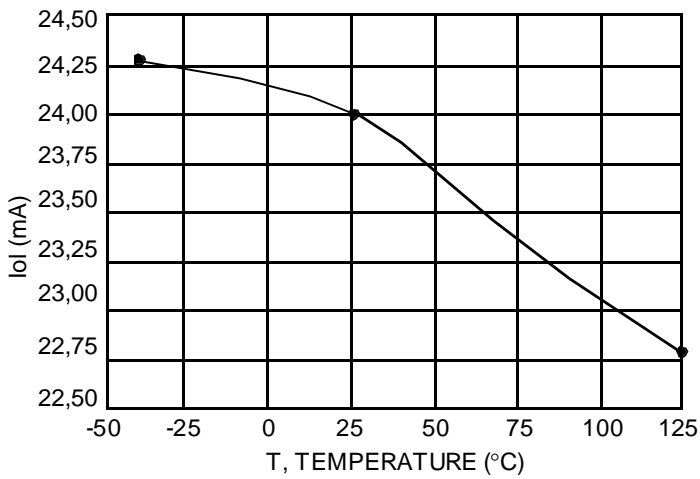


Figure15- Vcc Undervoltage versus Temperature

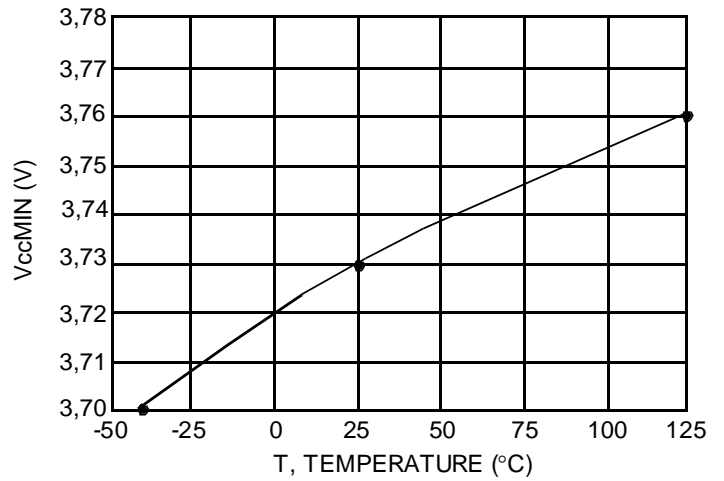


Figure16- Short Current Limit versus Temperature

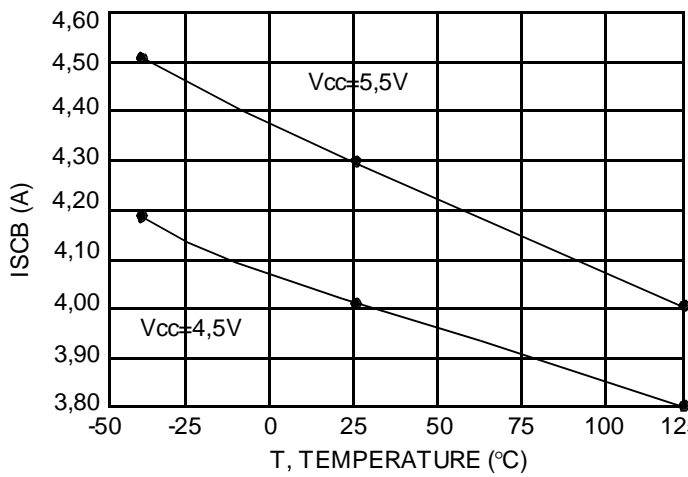


Figure17- Inductive Switching

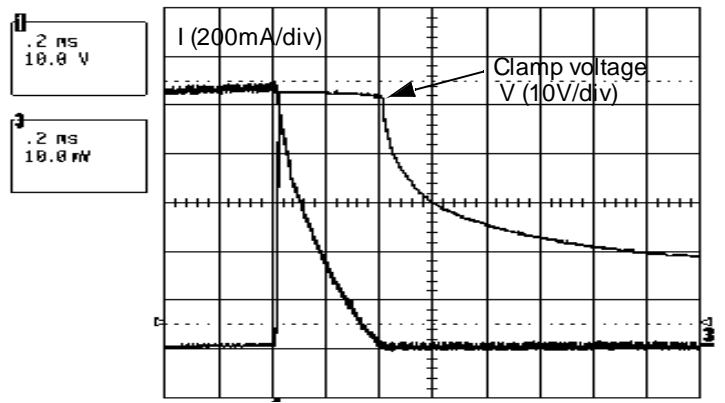


Figure18- Turn on Delay

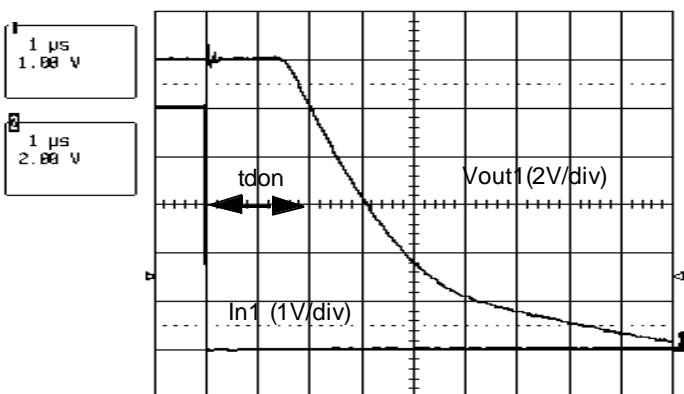
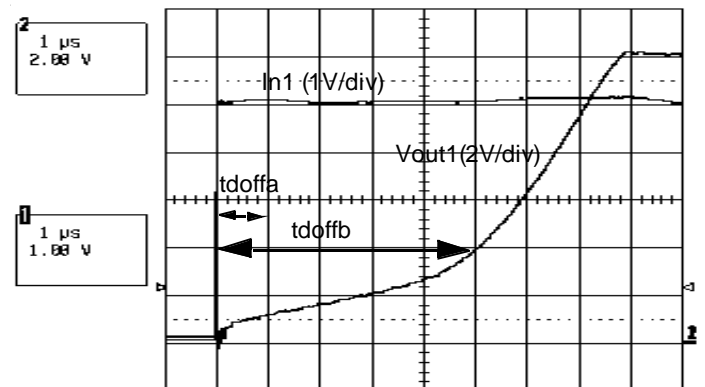
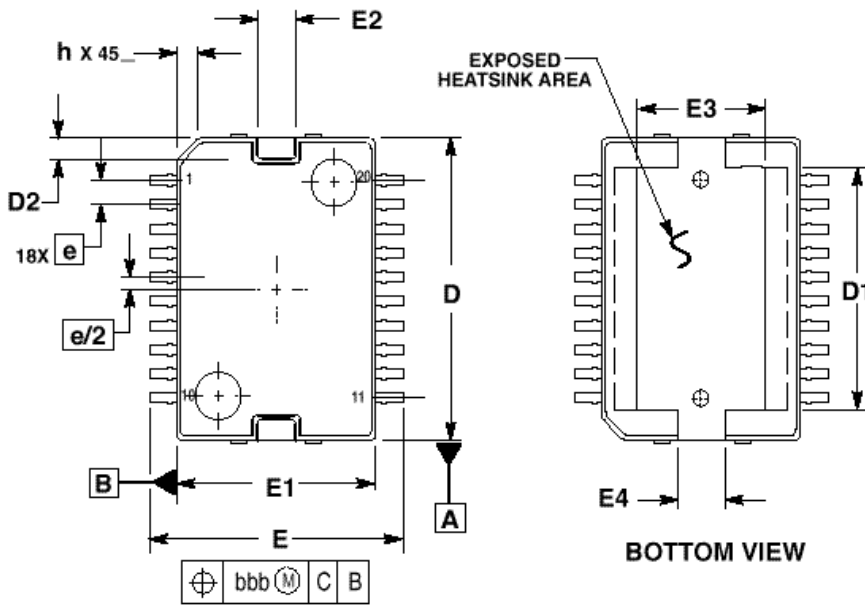


Figure19- Turn off Delay



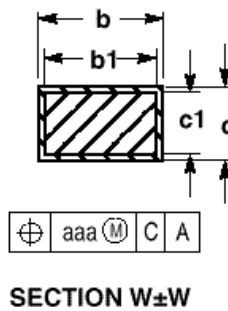
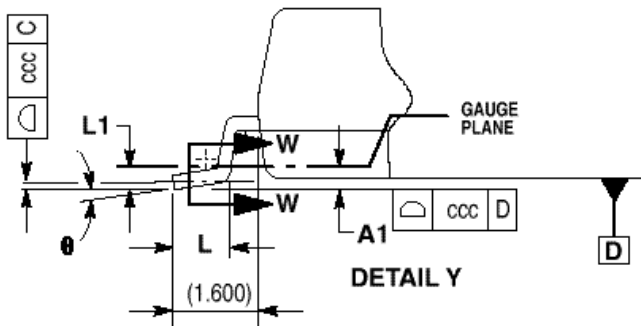
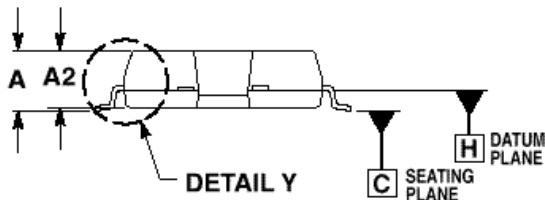
Freescale Semiconductor, Inc.

CASE OUTLINES



NOTES:

1. CONTROLLING DIMENSION: MILLIMETER.
2. DIMENSIONS AND TOLERANCES PER ASME Y14.5M, 1994.
3. DATUM PLANE $\pm H$ IS LOCATED AT BOTTOM OF LEAD AND IS COINCIDENT WITH THE LEAD WHERE THE LEAD EXITS THE PLASTIC BODY AT THE BOTTOM OF THE PARTING LINE.
4. DIMENSIONS D AND E1 DO NOT INCLUDE MOLD PROTRUSION. ALLOWABLE PROTRUSION IS 0.150 PER SIDE. DIMENSIONS D AND E1 DO INCLUDE MOLD MISMATCH AND ARE DETERMINED AT DATUM PLANE $\pm H$.
5. DIMENSION b DOES NOT INCLUDE DAMBAR PROTRUSION. ALLOWABLE DAMBAR PROTRUSION SHALL BE 0.178 TOTAL IN EXCESS OF THE b DIMENSION AT MAXIMUM MATERIAL CONDITION.
6. DATUMS $\pm A$ AND $\pm B$ TO BE DETERMINED AT DATUM PLANE $\pm H$.
7. DIMENSION D DOES NOT INCLUDE TIEBAR PROTRUSIONS. ALLOWABLE TIEBAR PROTRUSIONS ARE 0.150 PER SIDE.



DIM	MILLIMETERS	
	MIN	MAX
A	3.100	3.350
A1	0.050 BSC	
A2	3.100	3.250
D	15.800	16.000
D1	12.270	12.470
D2	0.900	1.100
E	13.950	14.450
E1	10.900	11.100
E2	2.500	2.700
E3	7.000	7.200
E4	2.700	2.900
L	0.840	1.100
L1	0.350 BSC	
b	0.400	0.520
b1	0.400	0.482
c	0.230	0.310
c1	0.230	0.280
e	1.270 BSC	
h	+++	1.100
⌀	0	8
aaa	0.200	
bbb	0.200	
ccc	0.100	

Motorola reserves the right to make changes without further notice to any products herein to improve reliability, function or design. Motorola does not assume any liability arising out of the application or use of any product or circuit described herein ; neither does it convert any licence under its patent rights of others. Motorola products are not authorized for use as components in life support devices or systems intended for surgical implant into the body or intended to support or sustain life. Buyer agrees to notify Motorola of any such intended end use whereupon Motorola shall determine availability and suitability of its products for the use intended. Motorola and are registered trademarks of Motorola, Inc. Motorola, Inc. is an Equal Employment opportunity/Affirmative Action Employer.