



TECHWELL
SECURITY



Security Surveillance IC Solutions

Features

Target Applications

- Standalone DVR
- PC Based DVR

Features

- Accepts all NTSC(M/N/4.43) / PAL(B/D/G/H/I/K/L/M/N/60) standards with auto detection
- Integrated four video analog anti-aliasing filters and 10 bit CMOS ADCs
- High performance adaptive 4H comb filters for all NTSC/PAL standards
- IF compensation filter for improvement of color demodulation
- Color Transient Improvement (CTI)
- Automatic white peak control
- Programmable hue, saturation, contrast, brightness and sharpness
- Proprietary fast video locking system for non-realtime applications
- Supports the standard ITU-R BT.656 format or time multiplexed output with 54MHz
- Provides simultaneous four channel Full D1 and CIF time-multiplexed outputs with 54MHz
- Supports a two-wire serial host interface
- Ultra low power consumption (Typical 480mW)
- 100 TQFP package

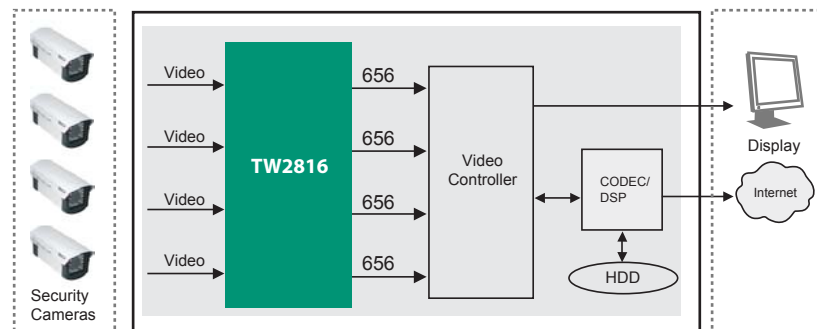
TW2816

4 Channel Video Decoders
For Security Applications

* Pin to pin compatible with the TW2815

The TW2816 includes four high quality NTSC/PAL video decoders that convert analog composite video signals to digital component YCbCr data for security applications. The TW2816 contains four 10 bit ADCs and proprietary clamp and gain controllers and utilizes 4H comb filters for separating luminance & chrominance to reduce cross noise artifacts. The TW2816 adopts image enhancement techniques such as IF compensation filter, CTI and programmable peaking.

Block Diagram



TW2816

4 Channel Video Decoders
For Security Applications

* Pin to pin compatible with the TW2815

TW2816 Block Diagram

