

Security Link over Coax™ (SLOC™) Transmitter

TW3801

The TW3801 is the transmitting end of a SLOC Hybrid Video system, converting Ethernet digital video data and analog CVBS video to a signal that can be transmitted over 500m of coax cable. It can be embedded into a camera or configured as a stand-alone IP+CVBS-to-SLOC converter.

The TW3801 includes an AFE, digital modem, and two Ethernet MII/RMII interfaces. The device accepts an analog CVBS signal and an Ethernet (R)MII signal and encodes it into a SLOC signal.

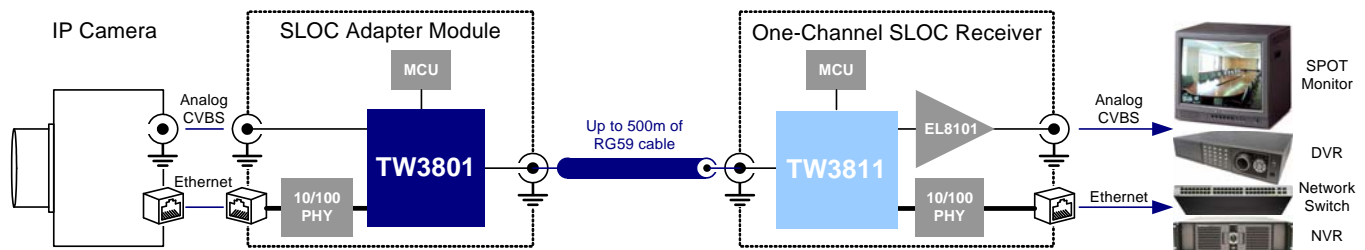
Applications

- Single-Channel SLOC Transmitter Modem
- Embedded SLOC camera Driver

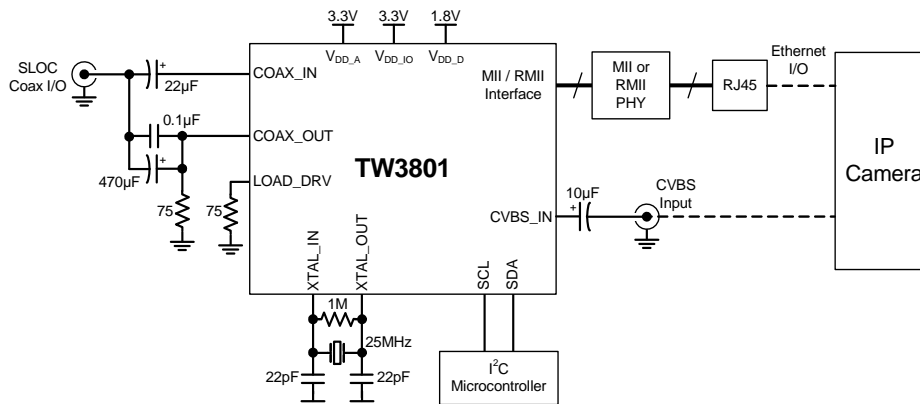
Features

- Simultaneous transmission of IP video data and analog CVBS video over up to 500m of RG59 coaxial cable
- Analog CVBS video preview support
- Proprietary adaptive analog equalizer for extending the reach of CVBS video
- Proprietary SLOC-based IP camera detection
- Full-duplex digital communications
- Continuous Transmitter to Receiver throughput up to 36Mbps
- Continuous Receiver to Transmitter throughput up to 11Mbps
- Ethernet MAC MII/RMII interface for interfacing to Camera ISPs
- Ethernet PHY MII/RMII interface for interfacing to Ethernet PHY chip
- I²C 2-wire control interface
- Integrated PLL with 25MHz crystal interface
- 1.8V, 3.3V supplies
- 100-TQFP (12x12mm) Package

Application Block Diagram



Simplified Application Schematic



For additional products, see www.intersil.com/product_tree

Intersil products are manufactured, assembled and tested utilizing ISO9000 quality systems as noted in the quality certifications found at www.intersil.com/design/quality

Intersil products are sold by description only. Intersil Corporation reserves the right to make changes in circuit design, software and/or specifications at any time without notice. Accordingly, the reader is cautioned to verify that data sheets are current before placing orders. Information furnished by Intersil is believed to be accurate and reliable. However, no responsibility is assumed by Intersil or its subsidiaries for its use; nor for any infringements of patents or other rights of third parties which may result from its use. No license is granted by implication or otherwise under any patent or patent rights of Intersil or its subsidiaries.

For information regarding Intersil Corporation and its products, see www.intersil.com