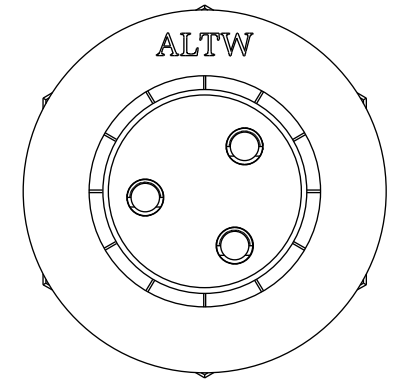
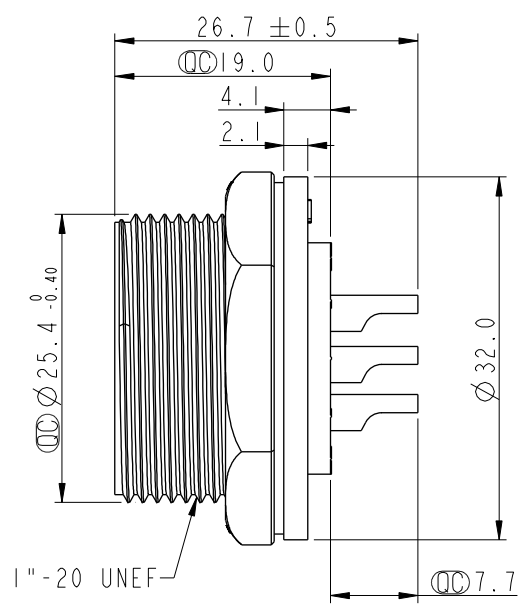
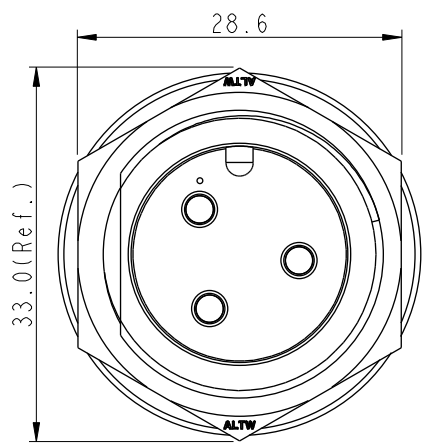
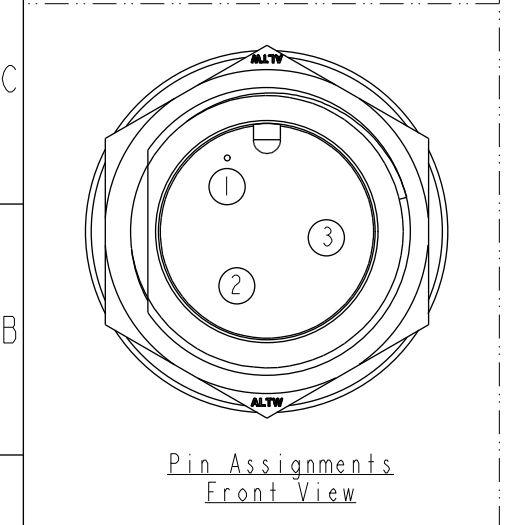
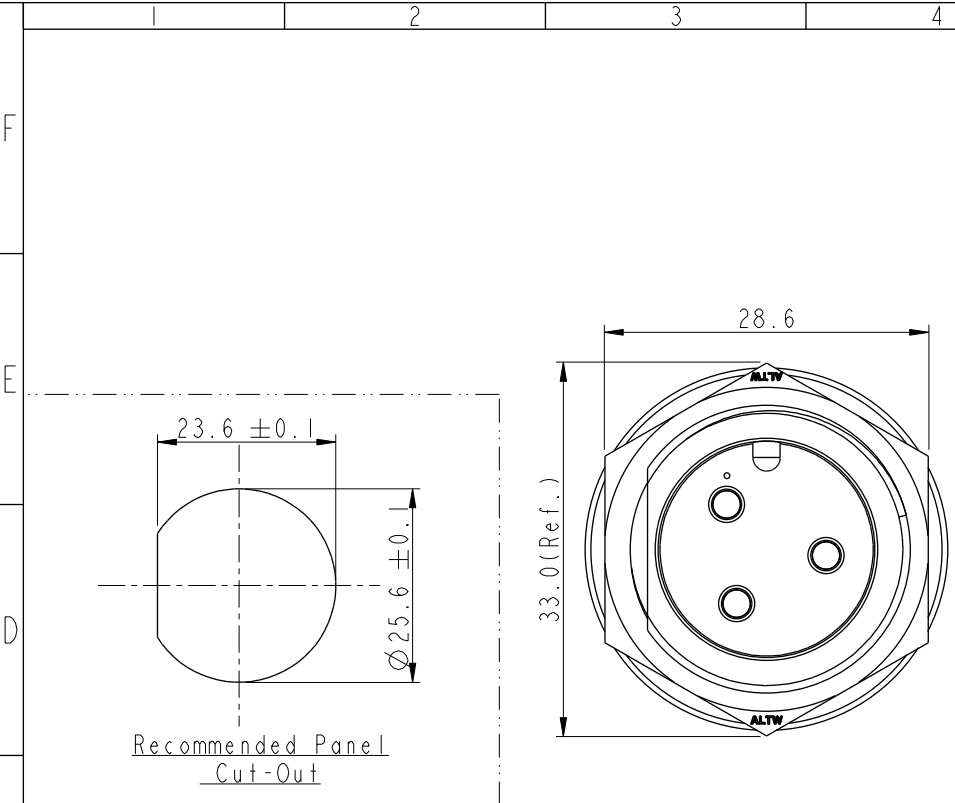
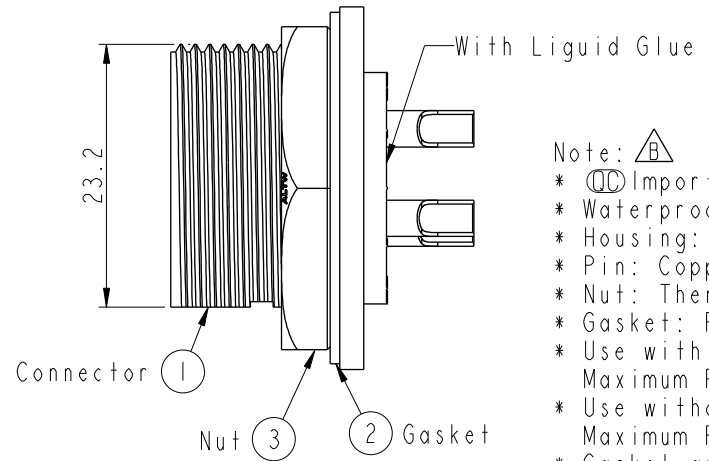


REV.	ECN NO.	DATE	SIGN	DESCRIPTION
A	Initial Release	2014-01-20	Jason.Yu	New Item
B	CI90342	2019/03/25	Ruru	Modify Note & Add QC Dimension



**ALTW**  
 CONFIDENTIAL  
 2019-03-25  
 R&D DEPT.



- Note:
- \* Important Dimension
  - \* Waterproof Rate: IP67, Unmated
  - \* Housing: Thermoplastic, Black
  - \* Pin: Copper Alloy, Gold Plated
  - \* Nut: Thermoplastic, Black
  - \* Gasket: Rubber, Gray
  - \* Use with waterproof cap or dust cap  
Maximum Panel Thickness: 1.5mm
  - \* Use without waterproof cap or dust cap  
Maximum Panel Thickness: 2.7mm
  - \* Gasket and Nut are packed separately in PE bags

UNIT: mm		TITLE LARGE CNC PIN PANEL SCREW 3PIN M CONN M PIN	
TOLERANCE		SCALE 3:2	SIZE A4
.X ±0.25		REV. B	SHEET 1 OF 1
.XX ±0.1		WC-REV. A.3	Inspection item
.XXX ±0.05			
ANGLES ±1°			

**Amphenol LTW**  
 安費諾亮泰企業股份有限公司

ITEM NO. IDC-03PMMS-SC7001	DRAWN BY Ruru	DATE 2019-03-25
DWG NO. IDC-03PMMS-SC7001	CHECKED BY Rita	DATE 2019-03-25
CUSTOMER ALTW	APPROVED BY Max	DATE 2019-03-25

THIS DOCUMENT IS SUBJECT TO CHANGE WITHOUT NOTICE. IT IS CONFIDENTIAL AND A PROPERTY OF Amphenol LTW. DISCLOSURE TO THIRD PARTY HAS TO BE AUTHORIZED BY Amphenol LTW.