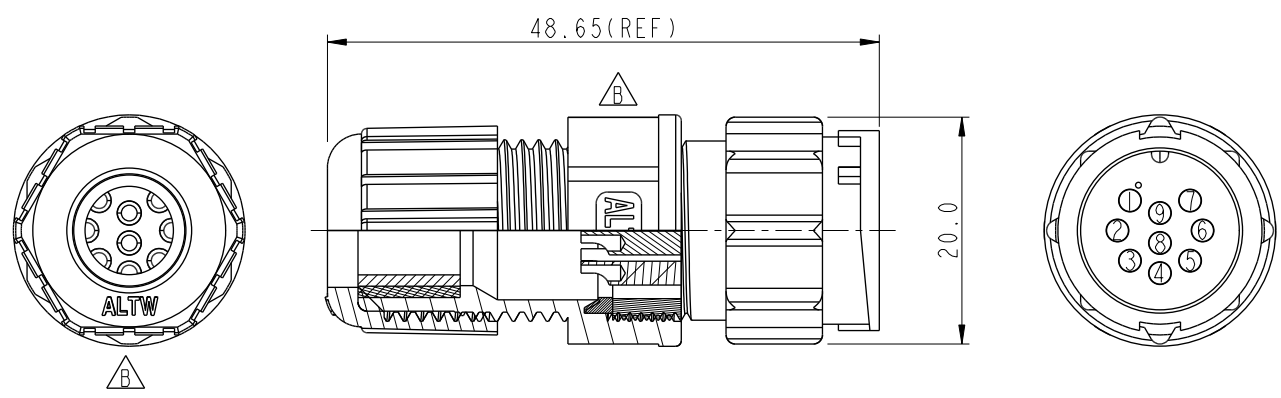
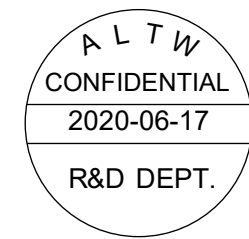
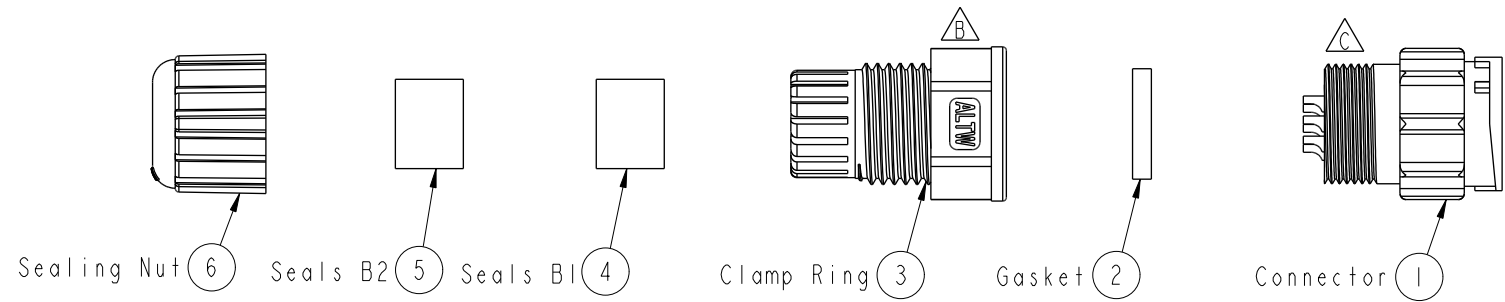


THIS DOCUMENT IS SUBJECT TO CHANGE WITHOUT NOTICE. IT IS CONFIDENTIAL AND A PROPERTY OF AMPHENOL LTW. DISCLOSURE TO THIRD PARTY HAS TO BE AUTHORIZED BY AMPHENOL LTW.

REV.	ECN NO.	DATE	SIGN	DESCRIPTION
B	LEN1580254	2015/05/12	Jinhai	Change Logo
C	C200915	2020/06/17	Ruru	△ X3



- △ Note:
- \* ∅ Important Dimension To Check.
  - \* Waterproof Rate: IP67
  - \* Housing: Thermoplastic, Black
  - \* Pin: Copper Alloy, Gold Plated
  - \* Gasket: Rubber, Black
  - \* Clamp Ring: Thermoplastic, Black
  - \* Sealing Nut: Thermoplastic, Black
  - \* Seal BI for Cable OD:  $\varnothing 7.6\text{mm} - \varnothing 9.6\text{mm}$
  - \* Seal B2 for Cable OD:  $\varnothing 4.0\text{mm} - \varnothing 7.6\text{mm}$
  - \* One Set Unassembled in One PE Bag

UNIT: mm  TOLERANCE .X ±0.25 .XX ±0.1 .XXX ±0.05 ANGLES ±1°	TITLE O CERES, C-5A, 09P, CABLE W/O SR M, M, FI SOLDER, 2LOCK △		<b>Amphenol LTW</b> 安費諾亮泰企業股份有限公司		ITEM NO CD-09BMM-LL7001	DRAWN BY Jinhai	DATE 2015-05-12	
	SCALE 1:1	SIZE A4	SHEET 1 OF 1	DWG NO CD-09BMM-LL7001	CHECKED BY Tom	DATE 2015-05-12		
	REV. C	WC-REV. A.2	∅ Inspection item	CUSTOMER ALTW	APPROVED BY Jerry	DATE 2015-05-12		