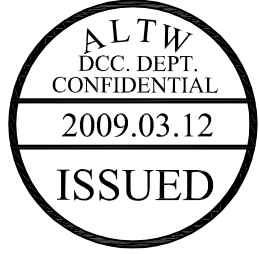
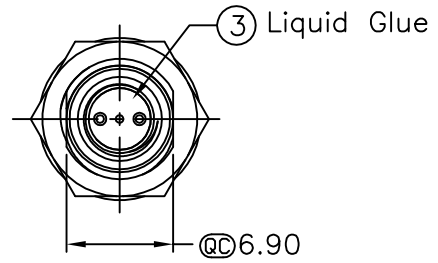
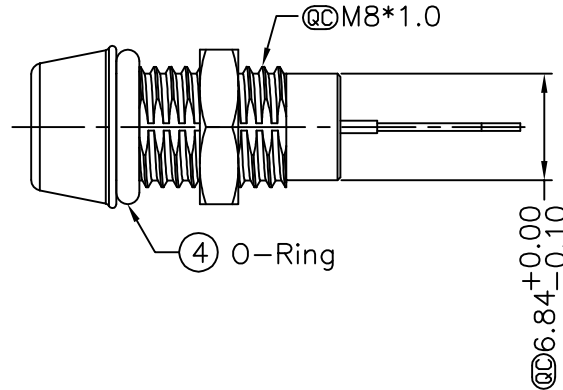
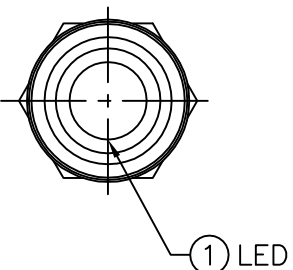
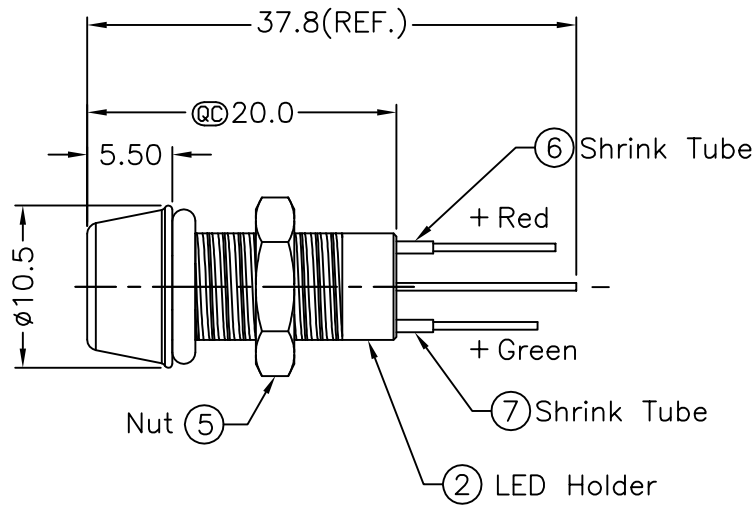
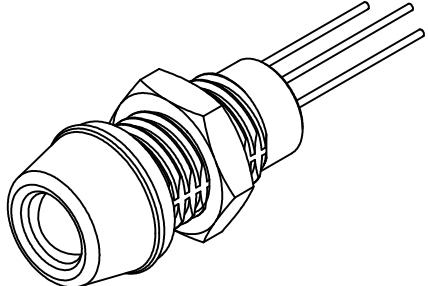
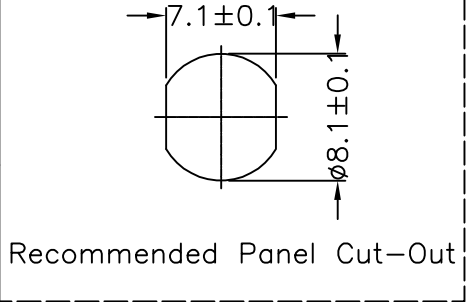
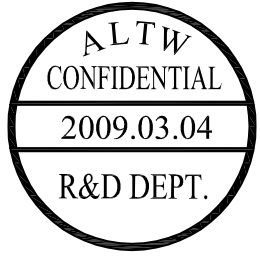


REV.	ECN NO.	DATE	SIGN	DESCRIPTION
A	Initial Release	2008/05/06	Rex	Rev.01 Change To A
B	LEN-930467	2009/03/04	ZhaoRongFu	Add Waterproof Rate



- Notes:
- \* Ⓞ Important Dimension To Check
  - △ \* Waterproof Rate: IP67
  - \* LED Holder: Copper Alloy, Nickel Plating
  - \* LED Spec:
  - \*  $\phi 5$ mm, Super Bright, Red/Green, Bi-Color LED
  - Lens Color: Water Clear
  - Forward Voltage: Red Min.1.6/Max.2.6(V)  
Green Min.2.8/Max.3.8(V)
  - Forward Current: Red Max. 35mA  
Green Max. 20mA
  - Luminous Intensity: Red Min.1000/Max.3000(Mcd)  
Green Min.4900/Max.16500(Mcd)
  - Reverse Voltage: DC 5V
  - Operating Temperature:  $-30^{\circ}\text{C} \sim +80^{\circ}\text{C}$
  - \* O-Ring: Silicone, Gray
  - \* Screw Nut: Copper Alloy, Nickel Plating
  - \* For Panel Thickness 6.5 max.

UNIT:mm	
TOLERANCE	
.X	±0.25
.XX	±0.1
.XXX	±0.05
ANGLES	±1'

TITLE		Waterproof Led ( $\phi 5$ mm) Red/Green, Solder Type	
SCALE	Free	SHEET	1 OF 1
REV.	B	SIZE	A4
Ⓞ : Inspection Item			

**Amphenol LTW**  
安費諾亮泰企業股份有限公司

ITEM NO	L08-01ABAS-MR7001
DWG NO	L08-01ABAS-MR7001
CUSTOMER	ALTW

DRAWN BY	Zhao Rong Fu
CHECKED BY	Prune
APPROVED BY	LUKE

DATE	2009/03/04
DATE	2009/03/05
DATE	2009/03/05

THIS DOCUMENT IS SUBJECT TO CHANGE WITHOUT NOTICE. IT IS CONFIDENTIAL AND A PROPERTY OF AMPHENOL LTW. DISCLOSURE TO THIRD PARTY HAS TO BE AUTHORIZED BY AMPHENOL LTW.