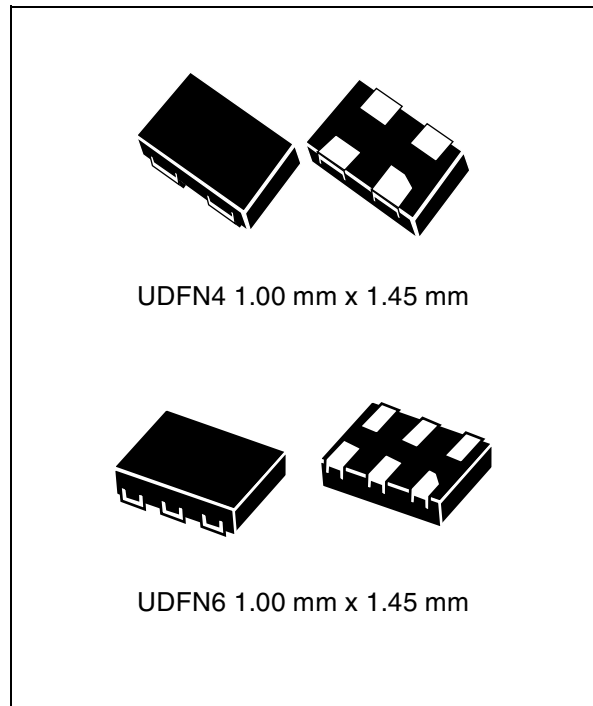


Features

- Operating voltage range 2 V to 5.5 V
- Low supply current 1 μ A
- Integrated test mode
- Single Smart Reset™ push-button input with fixed extended reset setup delay (t_{SRC}) from 0.5 s to 10 s in 0.5 s steps (typ.), option with internal input pull-up resistor
- Push-button controlled reset pulse duration
 - Option 1: fully push-button controlled, no fixed or minimum pulse width guaranteed
 - Option 2: defined output reset pulse duration (t_{REC}), factory-programmed
- Single reset output
 - Active-low or active-high
 - Push-pull or open drain with optional pull-up resistor
- Fixed Smart Reset input logic voltage levels
- Operating temperature: -40 °C to +85 °C
- UDFN4 package 1.00 mm x 1.45 mm and UDFN6 package 1.00 mm x 1.45 mm
- ECOPACK®2 (RoHS compliant, Halogen-Free)



Applications

- Mobile phones, smartphones, PDAs
- e-books
- MP3 players
- Games
- Portable navigation devices
- Any application that requires delayed reset push-button response for improved system stability

Contents

1	Description	5
1.1	Test mode	5
1.2	Logic diagram	6
1.3	Pin connections	6
2	Device overview	7
3	Pin descriptions	8
3.1	Power supply (V_{CC})	8
3.2	Ground (V_{SS})	8
3.3	Smart Reset input (\overline{SR})	8
3.4	Reset output (\overline{RST})	8
4	Typical application diagram	9
5	Timing diagram	10
6	Typical operating characteristics	11
7	Maximum ratings	13
8	DC and AC parameters	14
9	Package information	16
10	Tape and reel information	20
11	Part numbering	21
12	Package marking information	22
13	Revision history	23

List of tables

Table 1.	Signal names	7
Table 2.	Absolute maximum ratings	13
Table 3.	Operating and measurement conditions	14
Table 4.	DC and AC characteristics	15
Table 5.	UDFN4, 1.00 mm x 1.45 mm x 0.50 mm, 0.65 mm pitch package mechanical data	17
Table 6.	UDFN6, 1.00 mm x 1.45 mm x 0.50 mm, 0.50 mm pitch package mechanical data	18
Table 7.	Ordering information scheme	21
Table 8.	Package marking	22
Table 9.	Document revision history	23

List of figures

Figure 1.	STM6519 logic diagram	6
Figure 2.	UDFN4 pin connections (top view)	6
Figure 3.	UDFN6 pin connections (top view)	6
Figure 4.	STM6519 block diagram	8
Figure 5.	Typical hookup	9
Figure 6.	\overline{RST} output without t_{REC} option	10
Figure 7.	\overline{RST} output with t_{REC} option	10
Figure 8.	Supply current (I_{CC}) vs. temperature (T_A)	11
Figure 9.	Smart Reset delay (t_{SRC}) vs. temperature (T_A), $t_{SRC} = 4.0$ s (typ.)	11
Figure 10.	Test mode entry voltage (V_{TEST}) vs. temperature (T_A)	12
Figure 11.	Initial test mode time ($t_{SRC-INI}$) vs. temperature (T_A)	12
Figure 12.	UDFN4, 1.00 mm x 1.45 mm x 0.50 mm, 0.65 mm pitch package outline	16
Figure 13.	Footprint recommendation for UDFN4, 1.00 mm x 1.45mm x 0.50 mm, 0.65 mm pitch	17
Figure 14.	UDFN6, 1.00 mm x 1.45 mm x 0.50 mm, 0.50 mm pitch package outline	18
Figure 15.	Footprint recommendation for UDFN6 1.00 mm x 1.45 mm x 0.50 mm, 0.50 mm pitch	19
Figure 16.	Carrier tape	20
Figure 17.	Pin 1 orientation	20
Figure 18.	Package marking (top view)	22

1 Description

The Smart Reset™ devices provide a useful feature which ensures that inadvertent short reset push-button closures do not cause system resets. This is done by implementing an extended Smart Reset input delay time (t_{SRC}), which ensures a safe reset and eliminates the need for a specific dedicated reset button.

This reset configuration provides versatility and allows the application to distinguish between a software generated interrupt and a hard system reset. When the input push-button is connected to the microcontroller interrupt input, and is closed for a short time, the processor can only be interrupted. If the system still does not respond properly, continuing to keep the push-buttons closed for the extended setup time t_{SRC} causes a hard reset of the processor through the reset output.

The STM6519 has one Smart Reset input (\overline{SR}) with preset delayed Smart Reset setup time (t_{SRC}). The reset output (\overline{RST}) is asserted after the Smart Reset input is held active for the selected t_{SRC} delay time. The \overline{RST} output remains asserted either until the \overline{SR} input goes to inactive logic level (i.e. neither fixed nor minimum reset pulse width is set) or the output reset pulse duration is fixed for t_{REC} (i.e. factory-programmed). The device fully operates over a broad V_{CC} range from 2.0 V to 5.5 V.

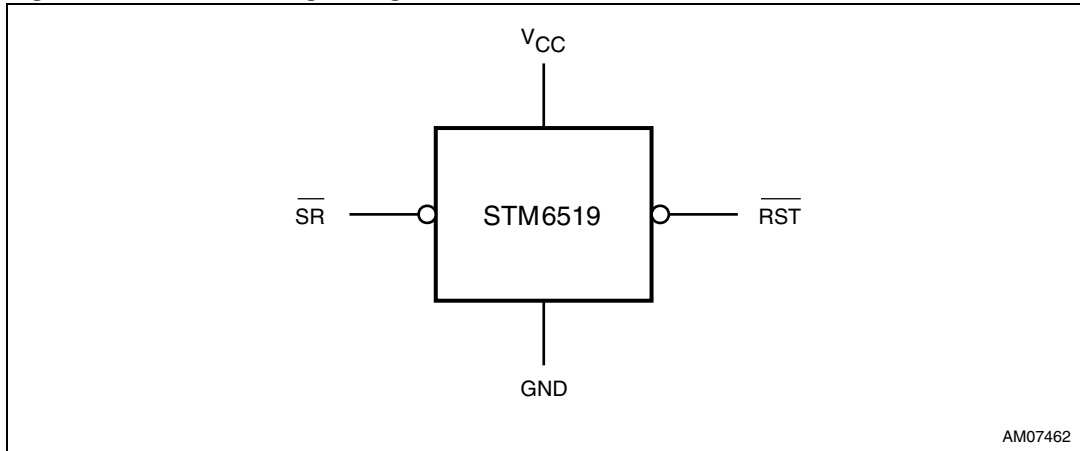
1.1 Test mode

After pulling \overline{SR} up to V_{TEST} ($V_{CC} + 1.4$ V) or above, the counter starts to count the initial shortened $t_{SRC-INI}$ (42 ms, typ.). After $t_{SRC-INI}$ expires, the \overline{RST} output either goes down for t_{REC} (if t_{REC} option is used) or stays low as long as overvoltage on \overline{SR} is detected (if t_{REC} option is not used). This is feedback, and the user only knows that the device is locked in test mode. Each time the \overline{SR} input is connected to ground in test mode, a shortened $t_{SRC-SHORT}$ ($t_{SRC}/128$) is used instead of regular t_{SRC} (0.5 s - 10 s). In this way the device can be quickly tested without repeating test mode triggering. Return to normal mode is possible by performing a new startup of the device (i.e. V_{CC} goes to 0 V and back to its original state).

The advantages of this solution are its high glitch immunity, user feedback regarding entry into test mode, and testability within the full V_{CC} range.

1.2 Logic diagram

Figure 1. STM6519 logic diagram



1.3 Pin connections

Figure 2. UDFN4 pin connections (top view)

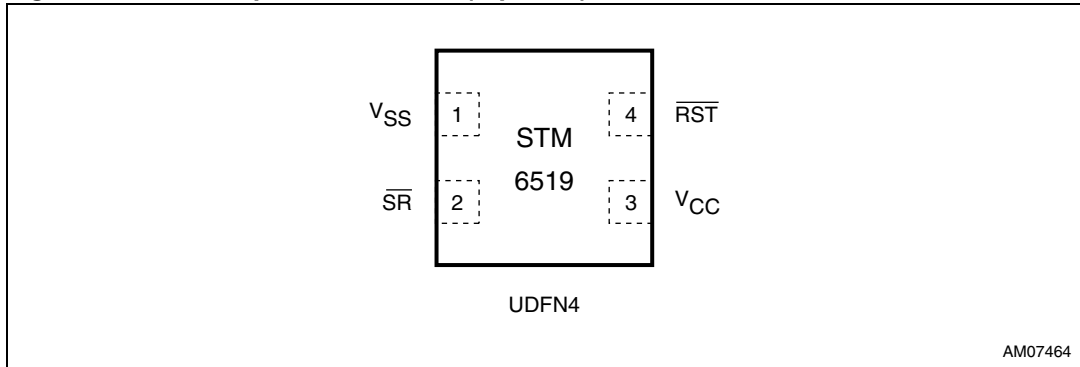
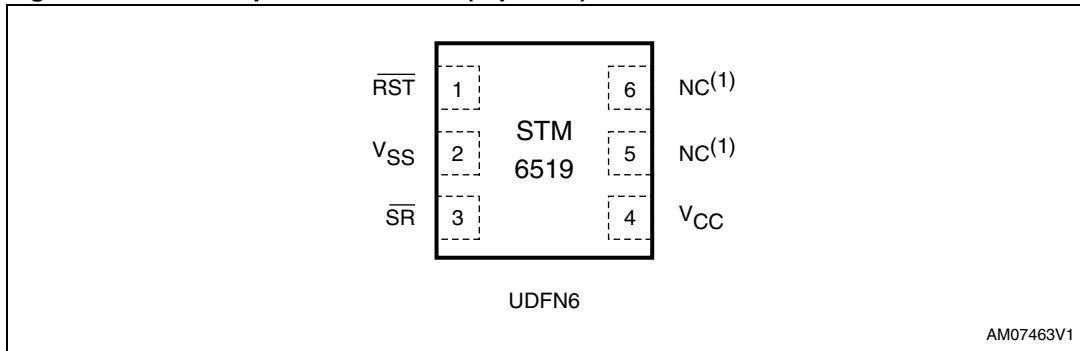


Figure 3. UDFN6 pin connections (top view)



1. Not connected (not bonded); should be connected to V_{SS}.

2 Device overview

Table 1. Signal names

Pin number		Name	Type	Description
UDFN6	UDFN4			
1	4	\overline{RST}	Output	Reset output, active-low, open drain.
2	1	V_{SS}	Supply ground	Ground
3	2	\overline{SR}	Input	Smart Reset input, active-low.
4	3	V_{CC}	Supply voltage	Positive supply voltage for the device. A 0.1 μF decoupling ceramic capacitor is recommended to be connected between V_{CC} and V_{SS} pins.
5	-	NC	-	Not connected (not bonded); should be connected to V_{SS} .
6	-	NC	-	Not connected (not bonded); should be connected to V_{SS} .

3 Pin descriptions

3.1 Power supply (V_{CC})

This pin is used to provide power to the Smart Reset device. A 0.1 μF ceramic decoupling capacitor is recommended to be connected between the V_{CC} and V_{SS} pins, as close to the STM6519 device as possible.

3.2 Ground (V_{SS})

This is the ground pin for the device.

3.3 Smart Reset input ($\overline{\text{SR}}$)

Push-button Smart Reset input, active-low with optional pull-up resistor. $\overline{\text{SR}}$ input needs to be asserted for at least t_{SRC} to assert the reset output ($\overline{\text{RST}}$).

By connecting a voltage higher than $V_{CC} + 1.4 \text{ V}$ to the $\overline{\text{SR}}$ input the device enters test mode (see [Section 1: Description on page 5](#) for more information).

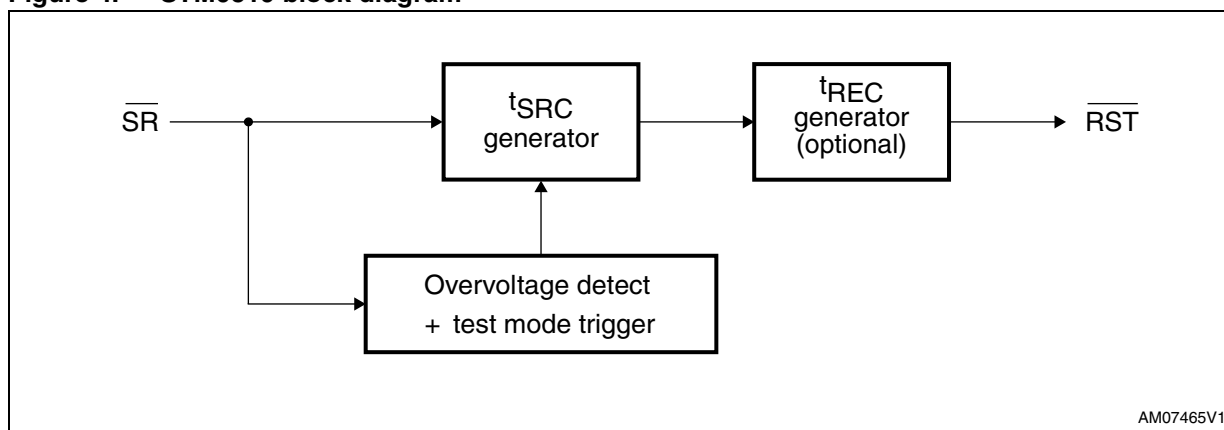
3.4 Reset output ($\overline{\text{RST}}$)

$\overline{\text{RST}}$ is active-low or active-high, open drain or push-pull reset output with optional internal pull-up resistor.

Output reset pulse width is optional as follows:

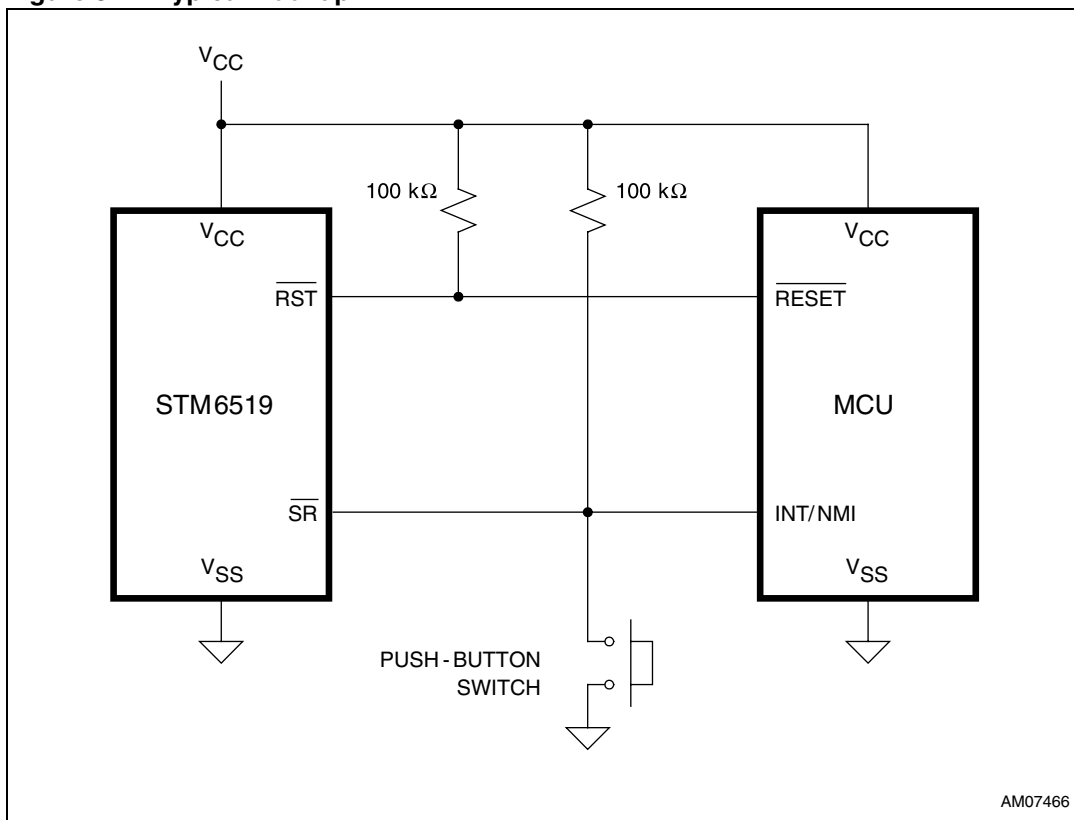
- Neither fixed nor minimum output reset pulse duration (releasing the push-button while reset output is active, causes the output to de-assert)
- Fixed, factory-programmed output reset pulse duration for t_{REC} independent on Smart Reset input state.

Figure 4. STM6519 block diagram



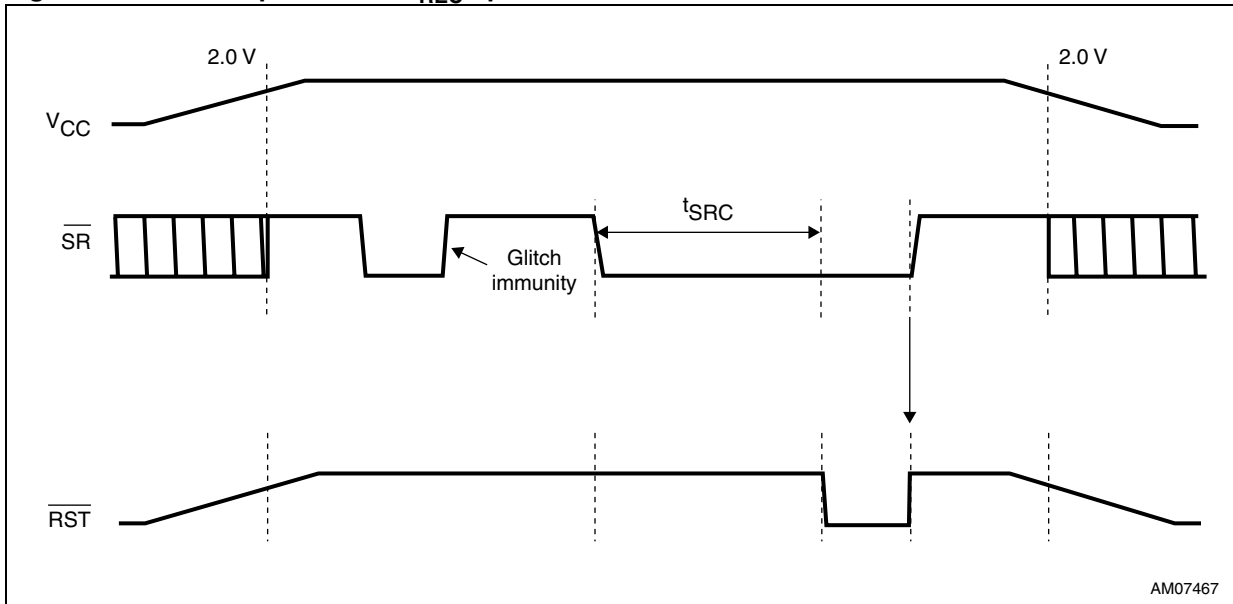
4 Typical application diagram

Figure 5. Typical hookup



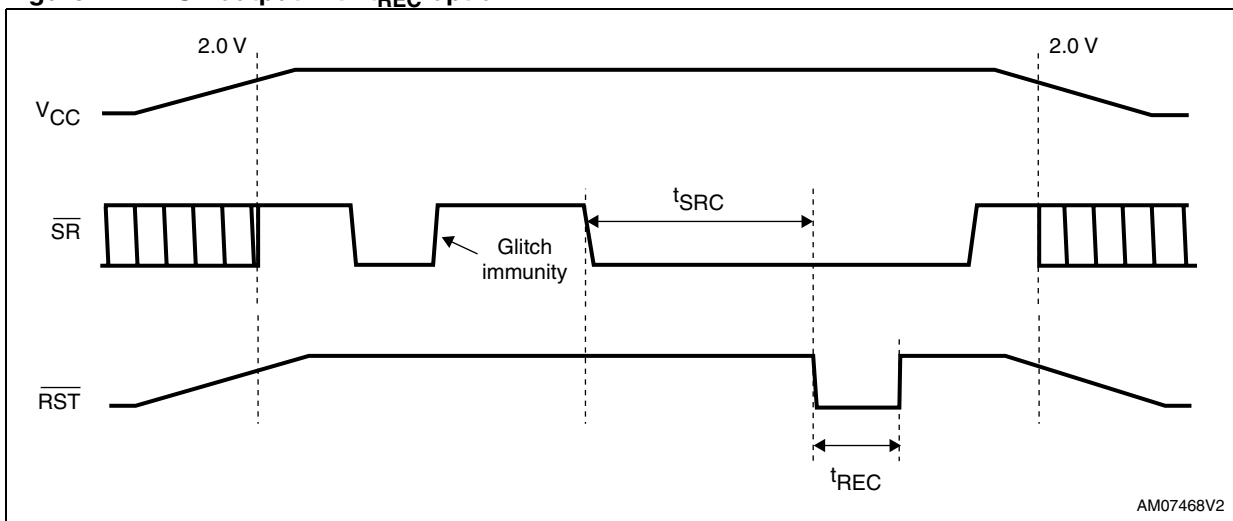
5 Timing diagram

Figure 6. $\overline{\text{RST}}$ output without t_{REC} option



1. Functionality below $V_{\text{CC}} = 2.0 \text{ V}$ is not guaranteed.

Figure 7. $\overline{\text{RST}}$ output with t_{REC} option



1. Functionality below $V_{\text{CC}} = 2.0 \text{ V}$ is not guaranteed.

6 Typical operating characteristics

Figure 8. Supply current (I_{CC}) vs. temperature (T_A)

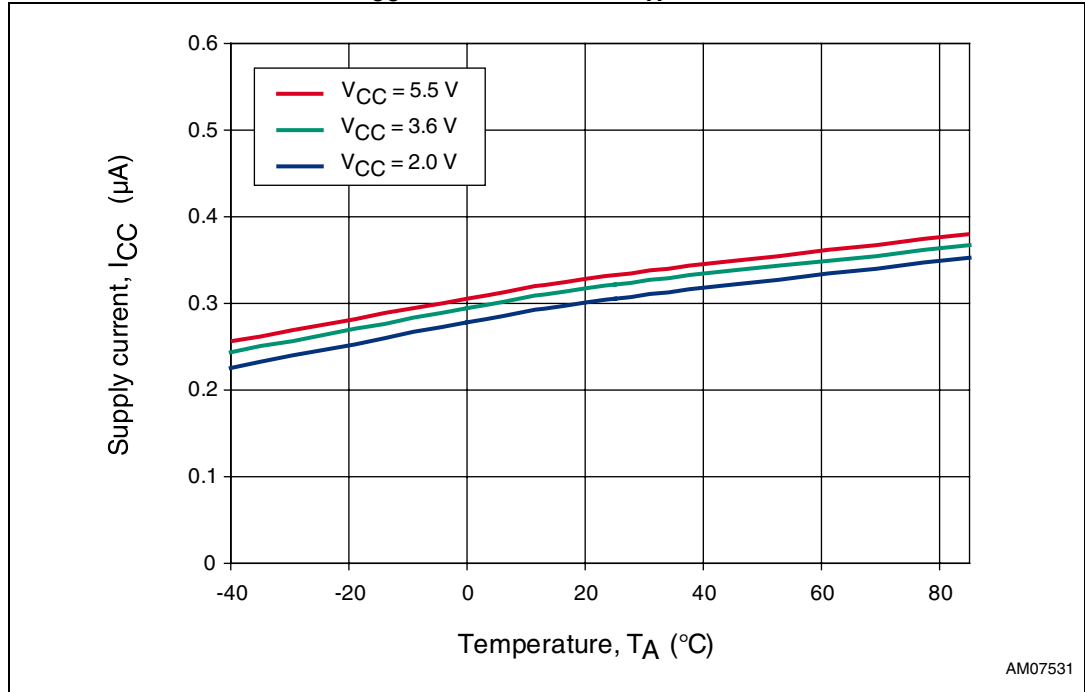


Figure 9. Smart Reset delay (t_{SRC}) vs. temperature (T_A), $t_{SRC} = 4.0 s$ (typ.)

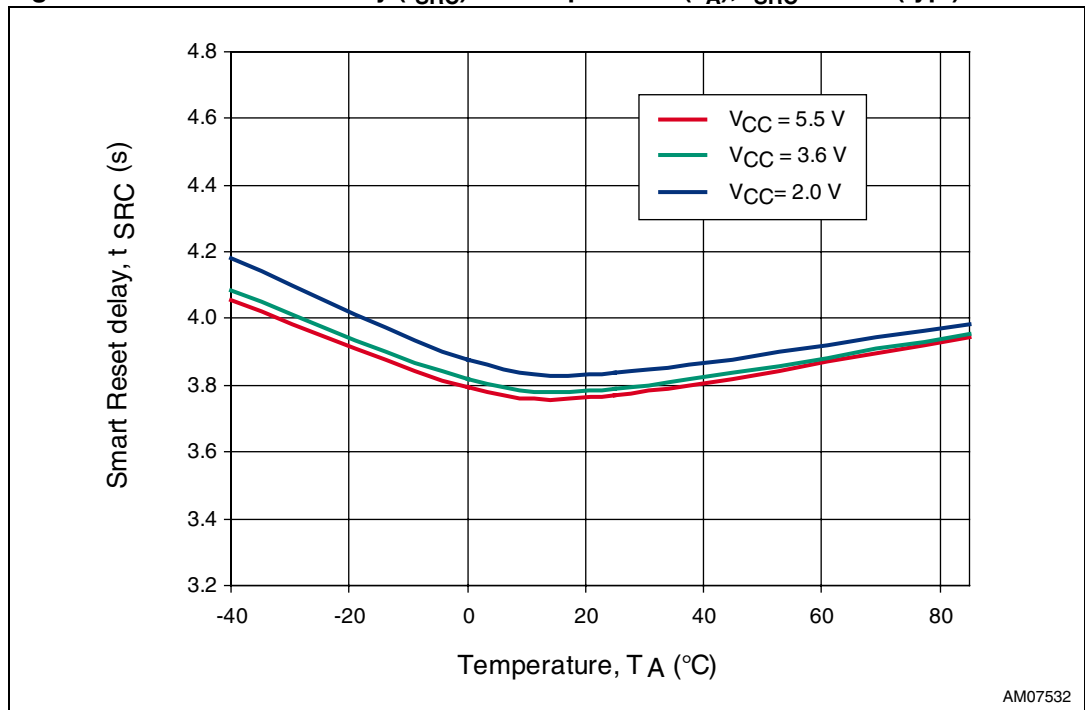


Figure 10. Test mode entry voltage (V_{TEST}) vs. temperature (T_A)

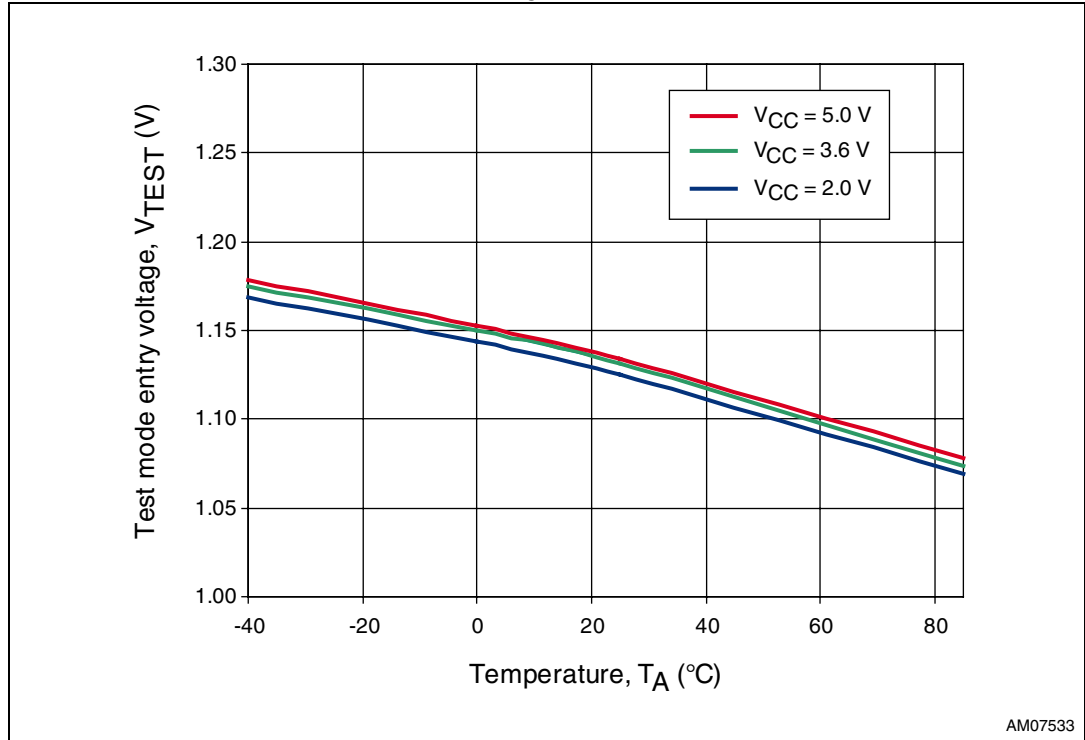
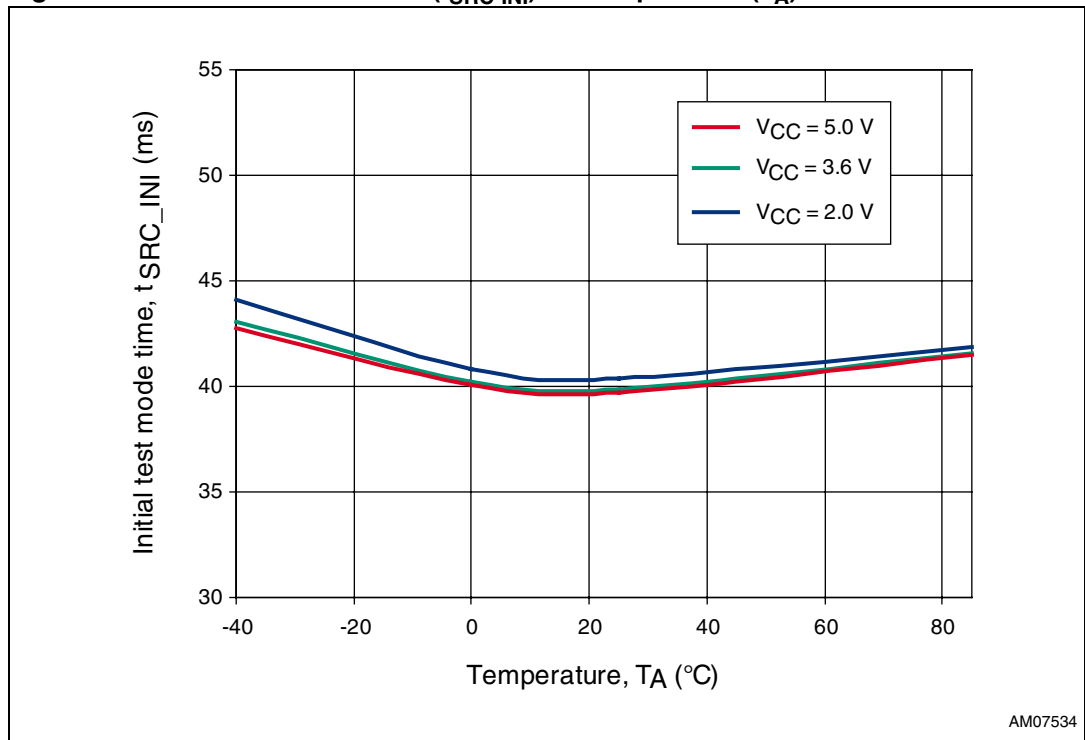


Figure 11. Initial test mode time (t_{SRC_INI}) vs. temperature (T_A)



7 Maximum ratings

Stressing the device above the rating listed in [Table 2: Absolute maximum ratings](#) may cause permanent damage to the device. These are stress ratings only and operation of the device at these or any other conditions above those indicated in [Table 3: Operating and measurement conditions](#) of this specification is not implied. Exposure to absolute maximum rating conditions for extended periods may affect device reliability. Refer also to the STMicroelectronics™ SURE program and other relevant quality documents.

Table 2. Absolute maximum ratings

Symbol	Parameter	Value	Unit
T_{STG}	Storage temperature (V_{CC} off)	-55 to +150	°C
$T_{SLD}^{(1)}$	Lead solder temperature for 10 seconds	260	°C
V_{IO}	Input or output voltage	-0.3 to 5.5	V
V_{CC}	Supply voltage	-0.3 to 7	V
ESD			
V_{HBM}	Electrostatic discharge protection, human body model (JESD22-A114-B level 2)	2	kV
V_{RCDM}	Electrostatic discharge protection, charged device model, all pins	1	kV
V_{MM}	Electrostatic discharge protection, machine model, all pins (JESD22-A115-A level A)	200	V
	Latch-up (V_{CC} pin, \overline{SR} reset input pin)	EIA/JESD78	

1. Reflow at peak temperature of 260 °C. The time above 255 °C must not exceed 30 seconds.

8 DC and AC parameters

This section summarizes the operating measurement conditions, and the DC and AC characteristics of the device. The parameters in [Table 4: DC and AC characteristics](#) are derived from tests performed under the measurement conditions summarized in [Table 3: Operating and measurement conditions](#). Designers should check that the operating conditions in their circuit match the operating conditions when relying on the quoted parameters.

Table 3. Operating and measurement conditions

Symbol	Parameter	Value	Unit
V_{CC}	Supply voltage	2.0 to 5.5	V
T_A	Ambient operating temperature	-40 to +85	°C
t_R, t_F	Input rise and fall times	≤ 5	ns
	Input pulse voltages	0.2 to 0.8 V_{CC}	V
	Input and output timing reference voltages	0.3 to 0.7 V_{CC}	V

Table 4. DC and AC characteristics

Symbol	Parameter	Test conditions ⁽¹⁾	Min.	Typ. ⁽²⁾	Max.	Unit
V _{CC}	Supply voltage		2.0		5.5	V
I _{CC}	Supply current	$\overline{SR} = V_{CC}$, t _{REC} and t _{SRC} counter is not running		0.4	1.0	μA
V _{OL}	Reset output voltage low	V _{CC} ≥ 4.5 V, sinking 3.2 mA			0.3	V
		V _{CC} ≥ 3.3 V, sinking 2.5 mA			0.3	V
		V _{CC} ≥ 2.0 V, sinking 1 mA			0.3	V
t _{REC}	Reset timeout delay, factory-programmed	(device option)	0.85	1.28	1.71	ms
			66	100	134	ms
			140	210	280	ms
			240	360	480	ms
R _{PUO}	Internal output pull-up resistor on \overline{RST}	(device option)		65		kΩ
I _{LO}	Output leakage current	V _{RST} = 5.5 V, open drain device option without output pull-up resistor	-0.1		0.1	μA
Smart Reset						
t _{SRC}	Smart Reset delay	T _A = -40 to +85 °C	0.8 x t _{SRC}	t _{SRC} ⁽³⁾	1.2 x t _{SRC}	s
		T _A = 25 °C	0.9 x t _{SRC}		1.1 x t _{SRC}	
V _{IL}	\overline{SR} input voltage low		V _{SS} -0.3		0.3	V
V _{IH}	\overline{SR} input voltage high		0.85		5.5	V
R _{PUI}	Internal input pull-up resistor on SR	(device option)		65		kΩ
I _{LEAK}	\overline{SR} input leakage current	device option without input pull-up resistor	-0.1		0.1	μA
	Input glitch immunity			t _{SRC}		s
Test mode						
V _{TEST}	Test mode entry voltage		V _{CC} +0.9	V _{CC} +1.1	V _{CC} +1.4	V
t _{SRC-INI}	Initial test mode time		28	42	56	ms
t _{SRC-SHORT}	Shortened Smart Reset delay			t _{SRC} / 128		ms

1. Valid for ambient operating temperature T_A = -40 to +85 °C, V_{CC} = 2.0 to 5.5 V.

2. Typical values are at 25 °C and V_{CC} = 3.3 V unless otherwise noted.

3. Factory-programmable in the range of 0.5 s to 10 s typ. in 0.5 s steps.

9 Package information

In order to meet environmental requirements, ST offers these devices in different grades of ECOPACK[®] packages, depending on their level of environmental compliance. ECOPACK specifications, grade definitions and product status are available at: www.st.com. ECOPACK is an ST trademark.

Figure 12. UDFN4, 1.00 mm x 1.45 mm x 0.50 mm, 0.65 mm pitch package outline

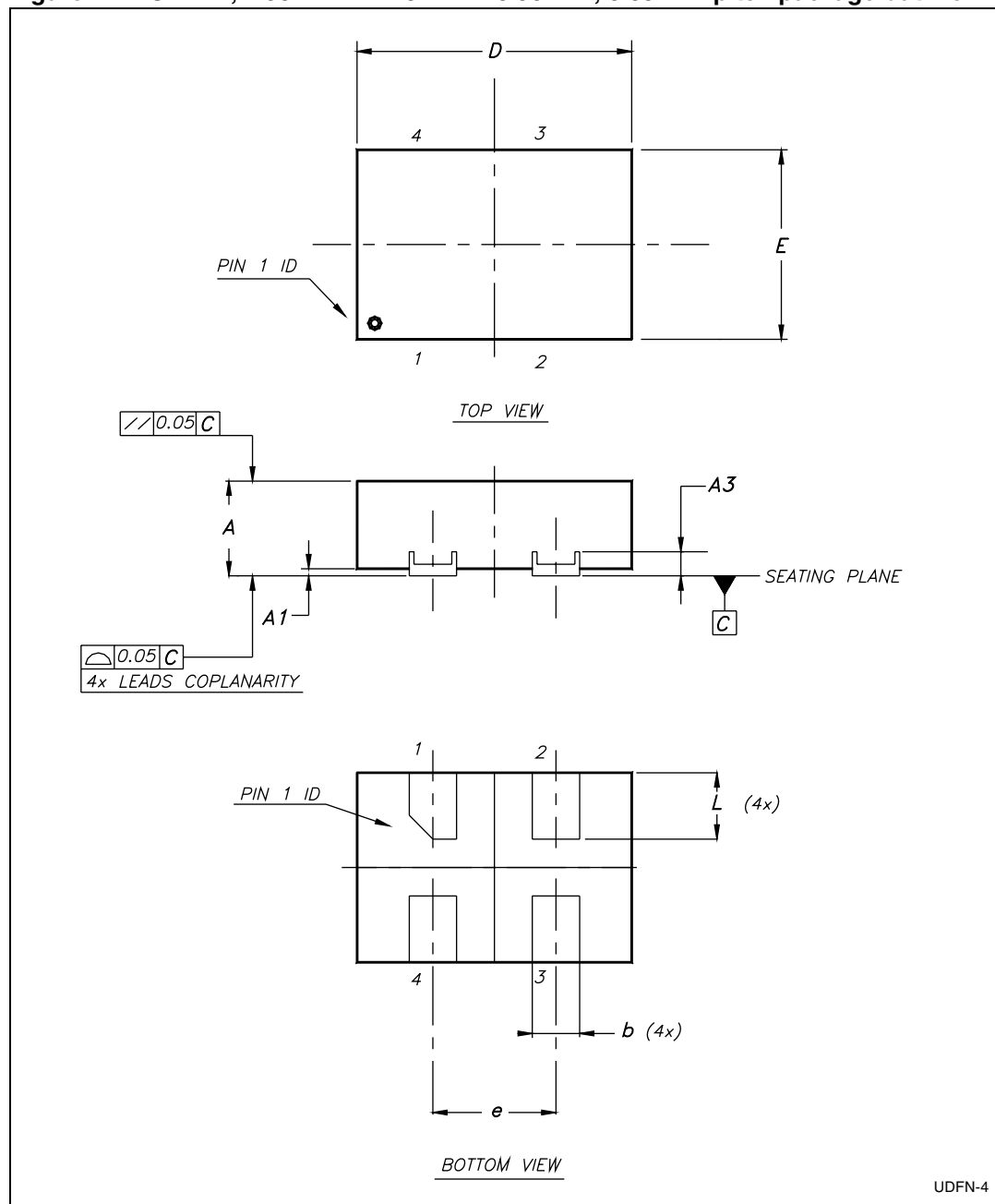
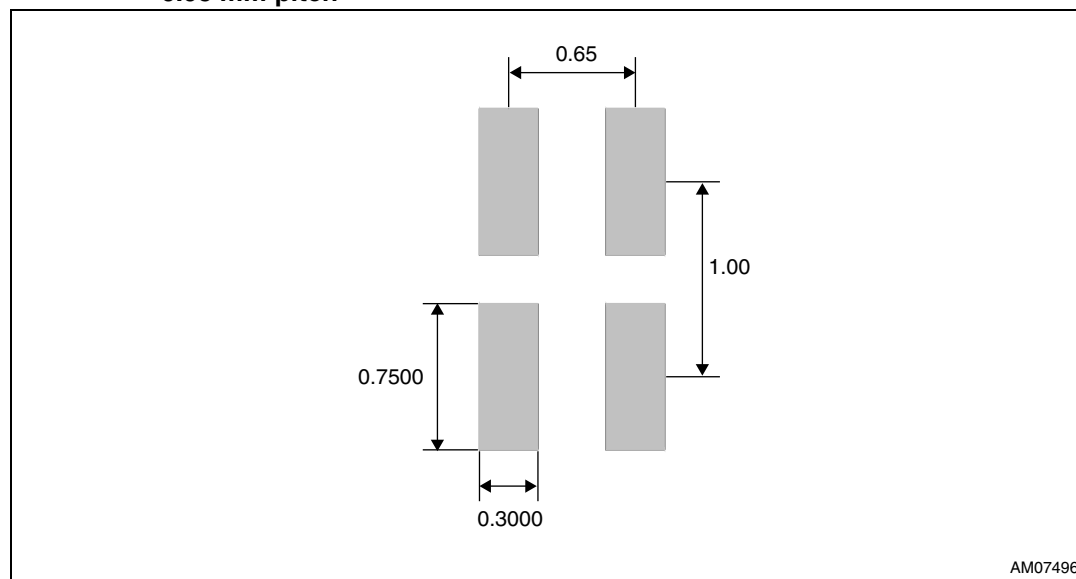


Table 5. UDFN4, 1.00 mm x 1.45 mm x 0.50 mm, 0.65 mm pitch package mechanical data

Symbol	Dimensions						Note ⁽¹⁾
	(mm)			(inches)			
	Min.	Typ.	Max.	Min.	Typ.	Max.	
A	0.50	0.55	0.60	0.020	0.022	0.024	
A1	0.00	0.02	0.05	0.000	0.001	0.002	
A3		0.127			0.005		
b	0.20	0.25	0.30	0.008	0.010	0.012	
D	1.40	1.45	1.50	0.055	0.057	0.059	
E	0.95	1.0	1.05	0.037	0.039	0.041	
e		0.65			0.026		
L	0.30	0.35	0.40	0.012	0.014	0.016	
N		4			4		

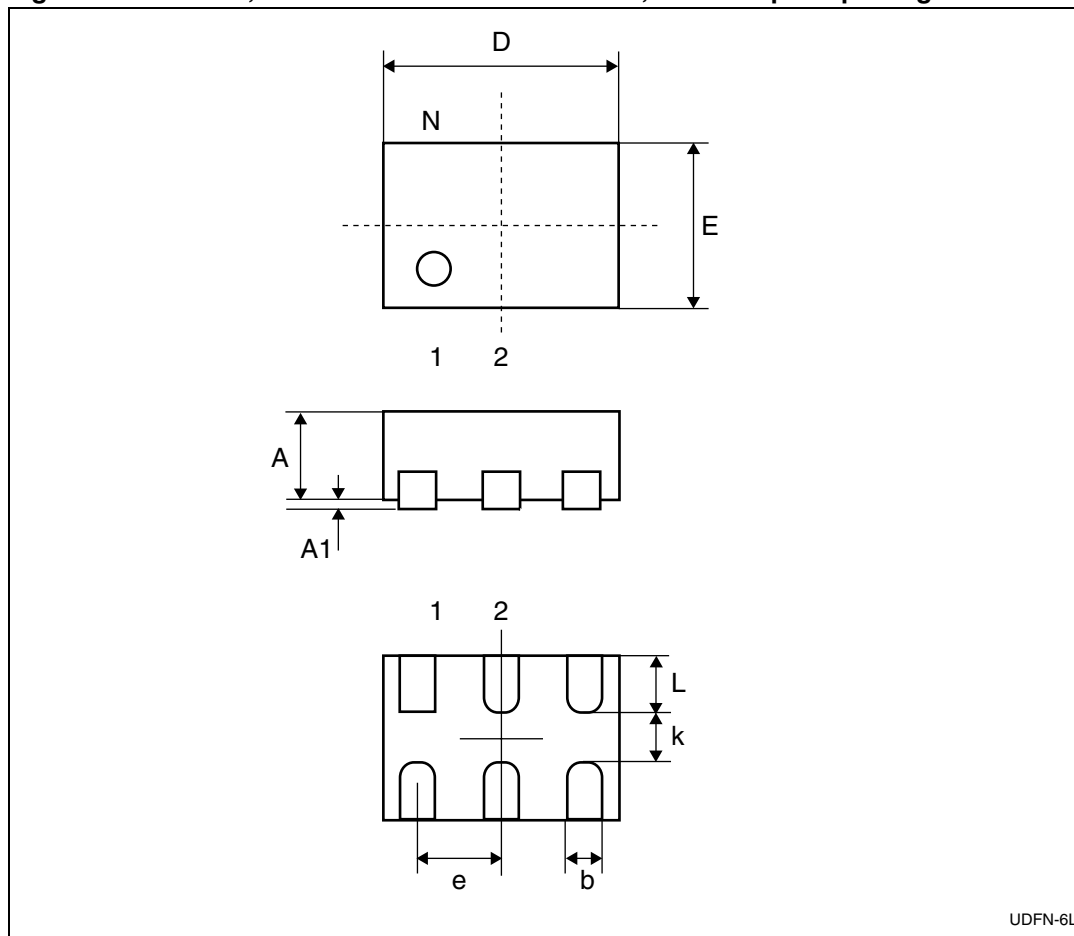
1. Controlling dimension: millimeters.

Figure 13. Footprint recommendation for UDFN4, 1.00 mm x 1.45mm x 0.50 mm, 0.65 mm pitch



AM07496

Figure 14. UDFN6, 1.00 mm x 1.45 mm x 0.50 mm, 0.50 mm pitch package outline



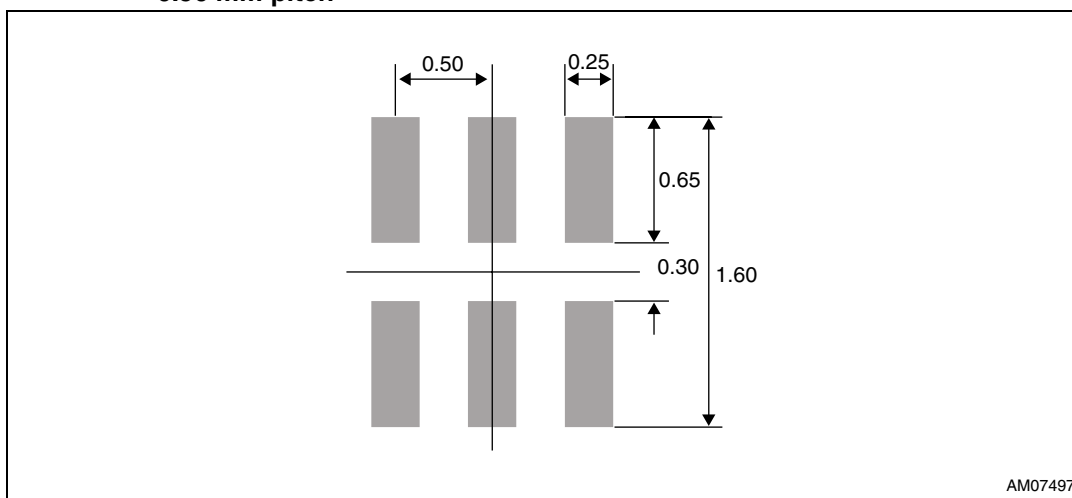
UDFN-6L

Table 6. UDFN6, 1.00 mm x 1.45 mm x 0.50 mm, 0.50 mm pitch package mechanical data

Symbol	Dimensions						Note ⁽¹⁾
	(mm)			(inches)			
	Min.	Typ.	Max.	Min.	Typ.	Max.	
A	0.50	0.55	0.60	0.0197	0.0217	0.0236	
A1	0.00	0.02	0.05	0.000	0.0008	0.0020	
b	0.18	0.25	0.30	0.0071	0.0098	0.0118	
D	1.40	1.45	1.50	0.0551	0.0571	0.0591	
E	0.95	1.00	1.05	0.0374	0.0394	0.0413	
e	0.45	0.50	0.55	0.0177	0.0197	0.0217	
k	0.20			0.0079			
L	0.30	0.35	0.40	0.0118	0.0138	0.0157	

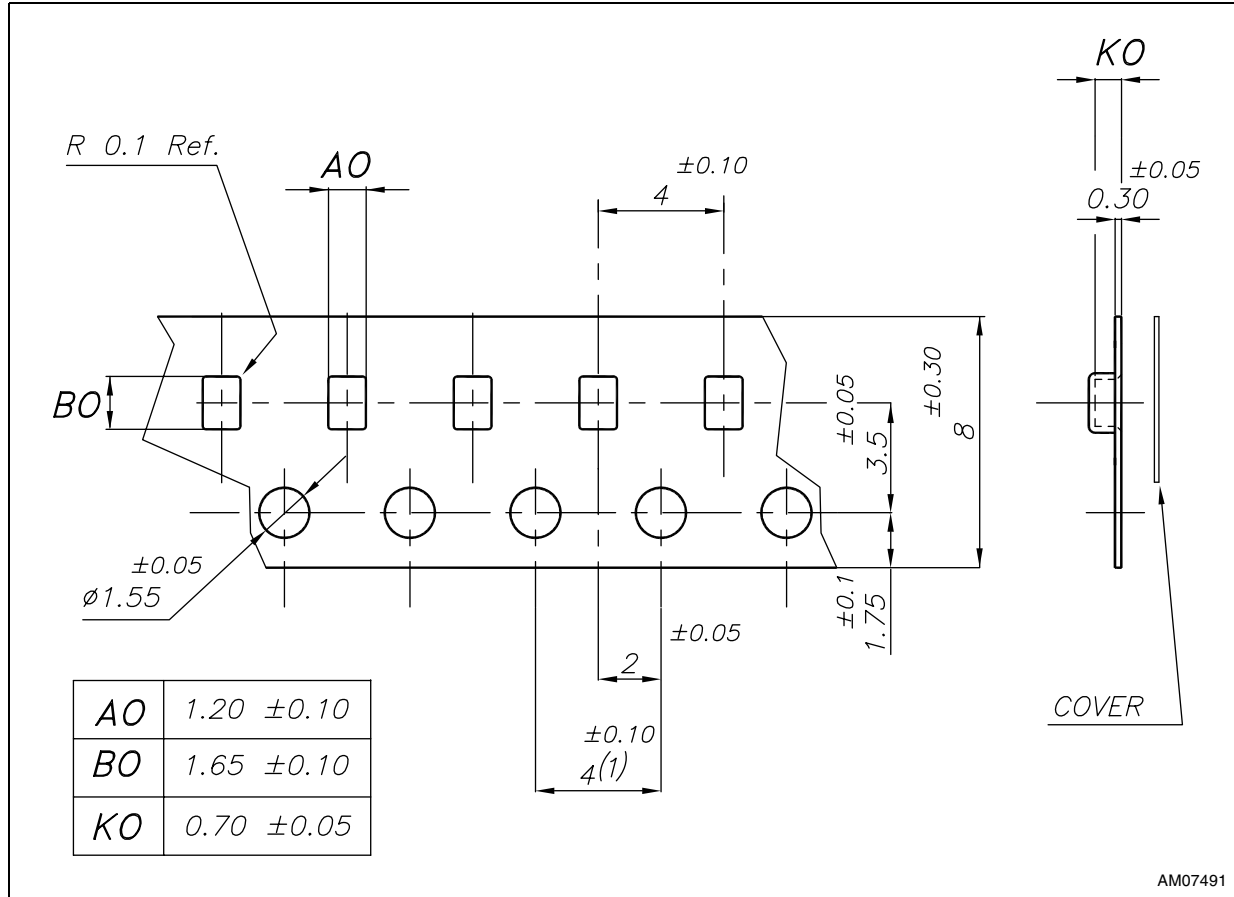
1. Package outline exclusive of any mold flashes dimensions and metal burrs.

Figure 15. Footprint recommendation for UDFN6 1.00 mm x 1.45 mm x 0.50 mm, 0.50 mm pitch



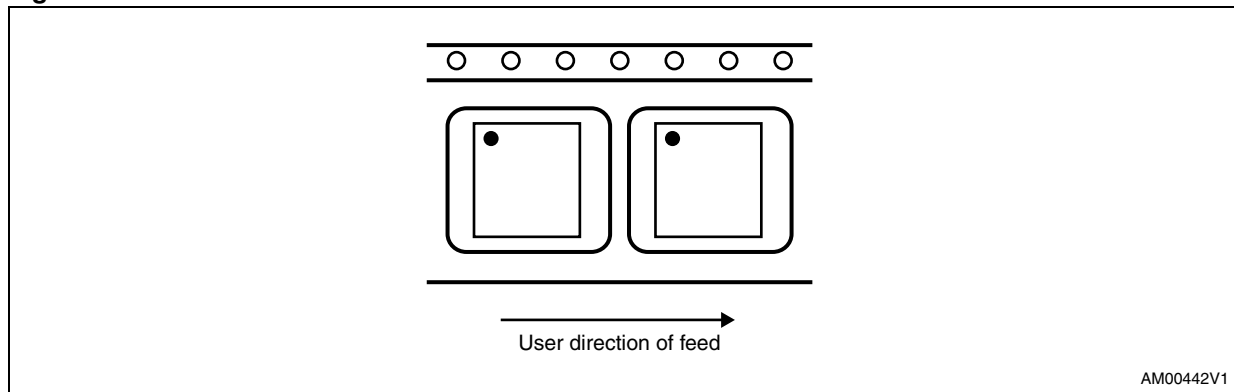
10 Tape and reel information

Figure 16. Carrier tape



1. 10-sprocket hole pitch cumulative tolerance ±0.20.

Figure 17. Pin 1 orientation



11 Part numbering

Table 7. Ordering information scheme

Example:	STM6519	A	H	A	R	UB	6	F
Device type	STM6519							
Reset (V_{CC} monitoring threshold) voltage V_{RST}	A = no V_{CC} monitoring feature							
Smart Reset setup delay (t_{SRC})⁽¹⁾	C = factory programmable $t_{SRC} = 1.5$ s (typ.) H = factory programmable $t_{SRC} = 4.0$ s (typ.) L = factory programmable $t_{SRC} = 6.0$ s (typ.) P = factory programmable $t_{SRC} = 7.5$ s (typ.) U = factory programmable $t_{SRC} = 10.0$ s (typ.)							
Inputs, outputs type⁽²⁾	A = active-low \overline{SR} input with no pull-up, active-low open drain \overline{RST} output with no pull-up B = active-low \overline{SR} input with pull-up, active-low open drain \overline{RST} output with no pull-up							
Reset timeout period (t_{REC})	A = factory programmable $t_{REC} = 210$ ms (typ.) B = factory programmable $t_{REC} = 360$ ms (typ.) E = factory programmable $t_{REC} = 1.28$ ms (typ.) F = factory programmable $t_{REC} = 100$ ms (typ.) R = push-button controlled (no defined t_{REC})							
Package	UC = UDFN-4L UB = UDFN-6L							
Temperature range	6 = -40 °C to +85 °C							
Shipping method	F = tape and reel							

1. Smart Reset delay (t_{SRC}) is available from 0.5 s to 10 s in 0.5 s steps (typ.). Minimum order quantities may apply. Contact local sales office for availability.
2. Push-pull reset output type also available (active-low or active-high). \overline{SR} input and open drain reset output available with optional pull-up resistor. Minimum order quantities may apply. Contact local sales office for availability.

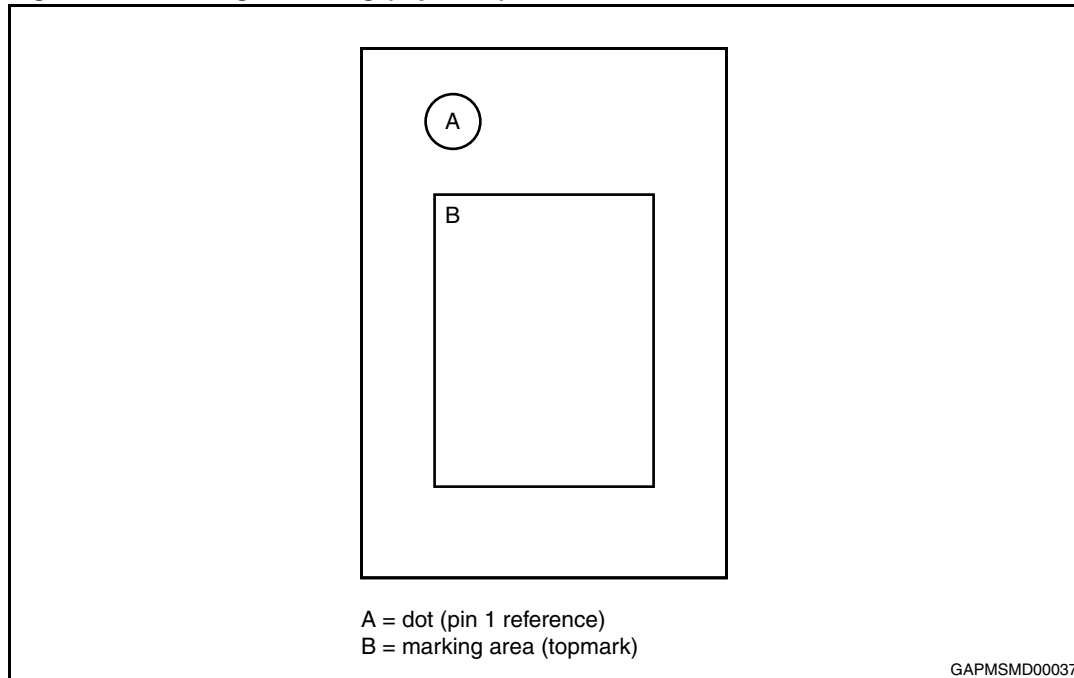
12 Package marking information

Table 8. Package marking

Part number	t _{SRC} (s)	Smart Reset inputs ⁽¹⁾	Output type ⁽²⁾	t _{REC} option ⁽³⁾	Package	Topmark
STM6519AHARUC6F	4.0	AL	OD, AL	No t _{REC}	UDFN4	HA
STM6519ALARUC6F	6.0	AL	OD, AL	No t _{REC}	UDFN4	LA
STM6519APARUC6F	7.5	AL	OD, AL	No t _{REC}	UDFN4	PA
STM6519AUARUC6F	10.0	AL	OD, AL	No t _{REC}	UDFN4	UA
STM6519ACARUB6F	1.5	AL	OD, AL	No t _{REC}	UDFN6	CA
STM6519AHARUB6F	4.0	AL	OD, AL	No t _{REC}	UDFN6	HA
STM6519ALARUB6F	6.0	AL	OD, AL	No t _{REC}	UDFN6	LA
STM6519APAAUB6F	7.5	AL	OD, AL	210 ms	UDFN6	PB
STM6519APARUB6F	7.5	AL	OD, AL	No t _{REC}	UDFN6	PA
STM6519APBBUB6F	7.5	AL + pull-up	OD, AL	360 ms	UDFN6	PC
STM6519AUARUB6F	10.0	AL	OD, AL	No t _{REC}	UDFN6	UA

1. AL = active-low.
2. OD = open drain, AL = active-low.
3. No t_{REC} = push-button controlled reset pulse width, any other value represents typical value of t_{REC}.

Figure 18. Package marking (top view)



13 Revision history

Table 9. Document revision history

Date	Revision	Changes
12-Aug-2011	1	Initial release.
22-Sep-2011	2	Updated Figure 4 , Table 4 , Table 7 and Table 8 .
07-Oct-2011	3	Removed label "Preliminary data".
27-Oct-2011	4	Updated Figure 3 and Table 1 .
13-Jun-2012	5	Updated Features , Table 4 , title of Section 9 .

Please Read Carefully:

Information in this document is provided solely in connection with ST products. STMicroelectronics NV and its subsidiaries ("ST") reserve the right to make changes, corrections, modifications or improvements, to this document, and the products and services described herein at any time, without notice.

All ST products are sold pursuant to ST's terms and conditions of sale.

Purchasers are solely responsible for the choice, selection and use of the ST products and services described herein, and ST assumes no liability whatsoever relating to the choice, selection or use of the ST products and services described herein.

No license, express or implied, by estoppel or otherwise, to any intellectual property rights is granted under this document. If any part of this document refers to any third party products or services it shall not be deemed a license grant by ST for the use of such third party products or services, or any intellectual property contained therein or considered as a warranty covering the use in any manner whatsoever of such third party products or services or any intellectual property contained therein.

UNLESS OTHERWISE SET FORTH IN ST'S TERMS AND CONDITIONS OF SALE ST DISCLAIMS ANY EXPRESS OR IMPLIED WARRANTY WITH RESPECT TO THE USE AND/OR SALE OF ST PRODUCTS INCLUDING WITHOUT LIMITATION IMPLIED WARRANTIES OF MERCHANTABILITY, FITNESS FOR A PARTICULAR PURPOSE (AND THEIR EQUIVALENTS UNDER THE LAWS OF ANY JURISDICTION), OR INFRINGEMENT OF ANY PATENT, COPYRIGHT OR OTHER INTELLECTUAL PROPERTY RIGHT.

UNLESS EXPRESSLY APPROVED IN WRITING BY TWO AUTHORIZED ST REPRESENTATIVES, ST PRODUCTS ARE NOT RECOMMENDED, AUTHORIZED OR WARRANTED FOR USE IN MILITARY, AIR CRAFT, SPACE, LIFE SAVING, OR LIFE SUSTAINING APPLICATIONS, NOR IN PRODUCTS OR SYSTEMS WHERE FAILURE OR MALFUNCTION MAY RESULT IN PERSONAL INJURY, DEATH, OR SEVERE PROPERTY OR ENVIRONMENTAL DAMAGE. ST PRODUCTS WHICH ARE NOT SPECIFIED AS "AUTOMOTIVE GRADE" MAY ONLY BE USED IN AUTOMOTIVE APPLICATIONS AT USER'S OWN RISK.

Resale of ST products with provisions different from the statements and/or technical features set forth in this document shall immediately void any warranty granted by ST for the ST product or service described herein and shall not create or extend in any manner whatsoever, any liability of ST.

ST and the ST logo are trademarks or registered trademarks of ST in various countries.

Information in this document supersedes and replaces all information previously supplied.

The ST logo is a registered trademark of STMicroelectronics. All other names are the property of their respective owners.

© 2012 STMicroelectronics - All rights reserved

STMicroelectronics group of companies

Australia - Belgium - Brazil - Canada - China - Czech Republic - Finland - France - Germany - Hong Kong - India - Israel - Italy - Japan - Malaysia - Malta - Morocco - Philippines - Singapore - Spain - Sweden - Switzerland - United Kingdom - United States of America

www.st.com