

TLC1550I, TLC1550M, TLC1551I 10-BIT ANALOG-TO-DIGITAL CONVERTERS WITH PARALLEL OUTPUTS

SLAS043C – MAY 1991 – REVISED MARCH 1995

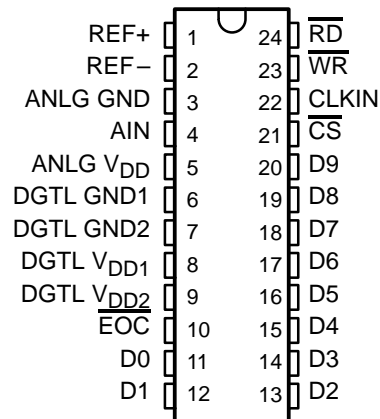
- Power Dissipation . . . 40 mW Max
- Advanced LinEPIC™ Single-Poly Process Provides Close Capacitor Matching for Better Accuracy
- Fast Parallel Processing for DSP and μ P Interface
- Either External or Internal Clock Can Be Used
- Conversion Time . . . 6 μ s
- Total Unadjusted Error . . . ± 1 LSB Max
- CMOS Technology

description

The TLC1550x and TLC1551 are data acquisition analog-to-digital converters (ADCs) using a 10-bit, switched-capacitor, successive-approximation network. A high-speed, 3-state parallel port directly interfaces to a digital signal processor (DSP) or microprocessor (μ P) system data bus. D0 through D9 are the digital output terminals with D0 being the least significant bit (LSB). Separate power terminals for the analog and digital portions minimize noise pickup in the supply leads. Additionally, the digital power is divided into two parts to separate the lower current logic from the higher current bus drivers. An external clock can be applied to CLKIN to override the internal system clock if desired.

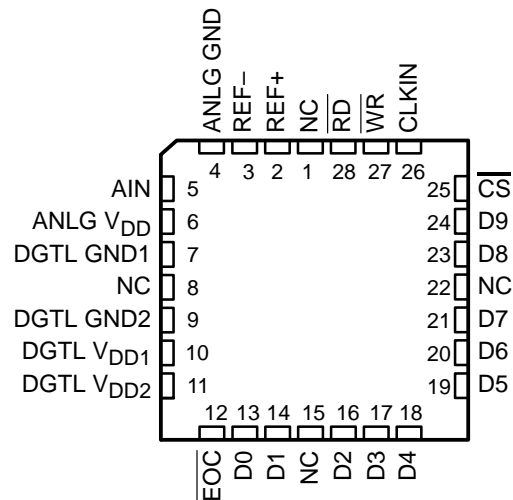
The TLC1550I and TLC1551I are characterized for operation from -40°C to 85°C . The TLC1550M is characterized over the full military range of -55°C to 125°C .

J† OR NW PACKAGE
(TOP VIEW)



† Refer to the mechanical data for the JW package.

FK OR FN PACKAGE
(TOP VIEW)



NC – No internal connection

AVAILABLE OPTIONS

TA	PACKAGE			
	CERAMIC CHIP CARRIER (FK)	PLASTIC CHIP CARRIER (FN)	CERAMIC DIP (J)	PLASTIC DIP (NW)
-40°C to 85°C	–	TLC1550IFN TLC1551IFN	–	TLC1550INW TLC1551INW
-55°C to 125°C	TLC1550MFK	–	TLC1550MJ	–



This device contains circuits to protect its inputs and outputs against damage due to high static voltages or electrostatic fields. These circuits have been qualified to protect this device against electrostatic discharges (ESD) of up to 2 kV according to MIL-STD-883C, Method 3015; however, it is advised that precautions be taken to avoid application of any voltage higher than maximum-rated voltages to these high-impedance circuits. During storage or handling, the device leads should be shorted together or the device should be placed in conductive foam. In a circuit, unused inputs should always be connected to an appropriated logic voltage level, preferably either V_{CC} or ground.

Advanced LinEPIC is a trademark of Texas Instruments Incorporated.

PRODUCTION DATA information is current as of publication date. Products conform to specifications per the terms of Texas Instruments standard warranty. Production processing does not necessarily include testing of all parameters.



POST OFFICE BOX 655303 • DALLAS, TEXAS 75265

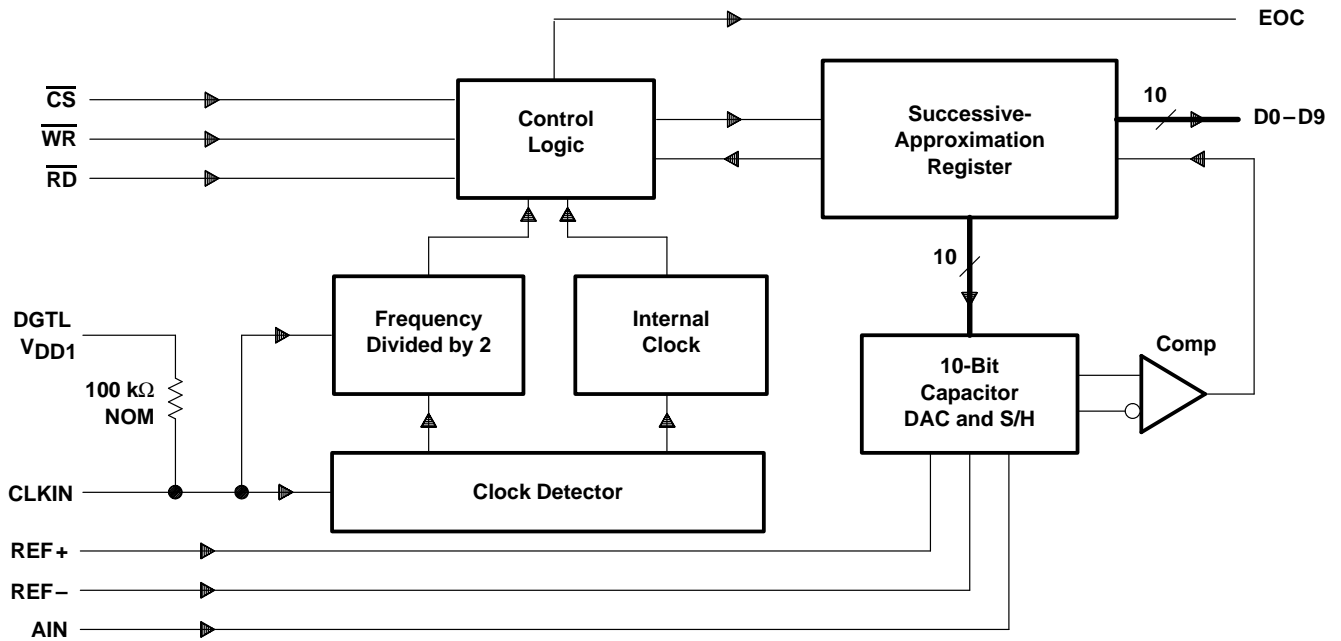
Copyright © 1995, Texas Instruments Incorporated

On products compliant to MIL-STD-883, Class B, all parameters are tested unless otherwise noted. On all other products, production processing does not necessarily include testing of all parameters.

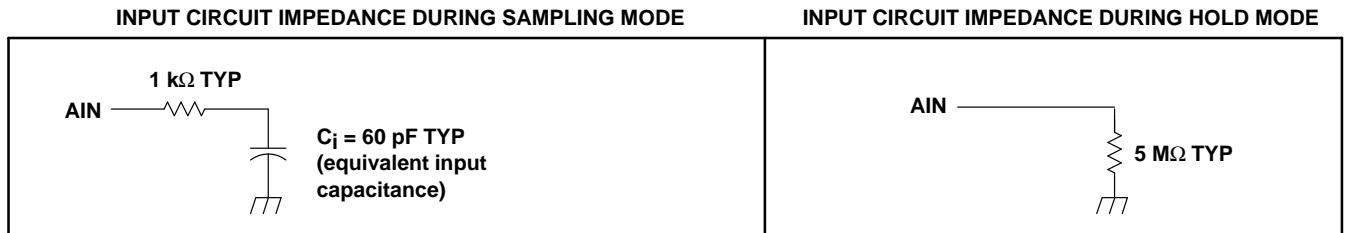
TLC1550I, TLC1550M, TLC1551I 10-BIT ANALOG-TO-DIGITAL CONVERTERS WITH PARALLEL OUTPUTS

SLAS043C – MAY 1991 – REVISED MARCH 1995

functional block diagram



typical equivalent inputs



TLC1550I, TLC1550M, TLC1551I
10-BIT ANALOG-TO-DIGITAL CONVERTERS
WITH PARALLEL OUTPUTS
 SLAS043C – MAY 1991 – REVISED MARCH 1995

Terminal Functions

TERMINAL			DESCRIPTION
NAME	NO.†	NO.‡	
ANLG GND	4	3	Analog ground. The reference point for the voltage applied on terminals ANLG V_{DD} , AIN, REF+, and REF-.
AIN	5	4	Analog voltage input. The voltage applied to AIN is converted to the equivalent digital output.
ANLG V_{DD}	6	5	Analog positive power supply voltage. The voltage applied to this terminal is designated V_{DD3} .
CLKIN	26	22	Clock input. CLKIN is used for external clocking instead of using the internal system clock. It usually takes a few microseconds before the internal clock is disabled. To use the internal clock, CLKIN should be tied high or left unconnected.
\overline{CS}	25	21	Chip-select. \overline{CS} must be low for \overline{RD} or \overline{WR} to be recognized by the A/D converter.
D0	13	11	Data bus output. D0 is bit 1 (LSB).
D1	14	12	Data bus output. D1 is bit 2.
D2	16	13	Data bus output. D2 is bit 3.
D3	17	14	Data bus output. D3 is bit 4.
D4	18	15	Data bus output. D4 is bit 5.
D5	19	16	Data bus output. D5 is bit 6.
D6	20	17	Data bus output. D6 is bit 7.
D7	21	18	Data bus output. D7 is bit 8.
D8	23	19	Data bus output. D8 is bit 9.
D9	24	20	Data bus output. D9 is bit 10 (MSB).
DGTL GND1	7	6	Digital ground 1. The ground for power supply DGTL V_{DD1} and is the substrate connection.
DGTL GND2	9	7	Digital ground 2. The ground for power supply DGTL V_{DD2} .
DGTL V_{DD1}	10	8	Digital positive power-supply voltage 1. DGTL V_{DD1} supplies the logic. The voltage applied to DGTL V_{DD1} is designated V_{DD1} .
DGTL V_{DD2}	11	9	Digital positive power-supply voltage 2. DGTL V_{DD2} supplies only the higher-current output buffers. The voltage applied to DGTL V_{DD2} is designated V_{DD2} .
\overline{EOC}	12	10	End-of-conversion. \overline{EOC} goes low indicating that conversion is complete and the results have been transferred to the output latch. \overline{EOC} can be connected to the μ P- or DSP-interrupt terminal or can be continuously polled.
\overline{RD}	28	24	Read input. When \overline{CS} is low and \overline{RD} is taken low, the data is placed on the data bus from the output latch. The output latch stores the conversion results at the most recent negative edge of \overline{EOC} . The falling edge of \overline{RD} resets \overline{EOC} to a high within the $t_d(\overline{EOC})$ specifications.
REF+	2	1	Positive voltage-reference input. Any analog input that is greater than or equal to the voltage on REF+ converts to 1111111111. Analog input voltages between REF+ and REF- convert to the appropriate result in a ratiometric manner.
REF-	3	2	Negative voltage reference input. Any analog input that is less than or equal to the voltage on REF- converts to 0000000000.
\overline{WR}	27	23	Write input. When \overline{CS} is low, conversion is started on the rising edge of \overline{WR} . On this rising edge, the ADC holds the analog input until conversion is completed. Before and after the conversion period, which is given by t_{conv} , the ADC remains in the sampling mode.

† Terminal numbers for FK and FN packages.

‡ Terminal numbers for J and NW packages.



TLC1550I, TLC1550M, TLC1551I

10-BIT ANALOG-TO-DIGITAL CONVERTERS

WITH PARALLEL OUTPUTS

SLAS043C – MAY 1991 – REVISED MARCH 1995

absolute maximum ratings over operating free-air temperature range (unless otherwise noted)†

Supply voltage, V_{DD1} , V_{DD2} , and V_{DD3} (see Note 1)	6.5 V
Input voltage range, V_I (any input)	-0.3 V to $V_{DD} + 0.3$ V
Output voltage range, V_O	-0.3 V to $V_{DD} + 0.3$ V
Peak input current (any digital input)	± 10 mA
Peak total input current (all inputs)	± 30 mA
Operating free-air temperature range, T_A : TLC1550I, TLC1551I	-40°C to 85°C
TLC1550M	-55°C to 125°C
Storage temperature range, T_{stg}	-65°C to 150°C
Case temperature for 10 seconds: FK or FN package	260°C
Lead temperature 1,6 mm (1/16 inch) from the case for 10 seconds: J or NW package	260°C

† Stresses beyond those listed under “absolute maximum ratings” may cause permanent damage to the device. These are stress ratings only, and functional operation of the device at these or any other conditions beyond those indicated under “recommended operating conditions” is not implied. Exposure to absolute-maximum-rated conditions for extended periods may affect device reliability.

NOTE 1: V_{DD1} is the voltage measured at DGTL V_{DD1} with respect to DGND1. V_{DD2} is the voltage measured at DGTL V_{DD2} with respect to the DGND2. V_{DD3} is the voltage measured at ANLG V_{DD} with respect to AGND. For these specifications, all ground terminals are tied together (and represent 0 V). When V_{DD1} , V_{DD2} , and V_{DD3} are equal, they are referred to simply as V_{DD} .

recommended operating conditions

	MIN	NOM	MAX	UNIT
Supply voltage, V_{DD1} , V_{DD2} , V_{DD3}	4.75	5	5.5	V
Positive reference voltage, V_{ref+} (see Note 2)		V_{DD3}		V
Negative reference voltage, V_{ref-} (see Note 2)		0		V
Differential reference voltage, $V_{ref+} - V_{ref-}$ (see Note 2)		0.3	0.3	V
Analog input voltage range	0		V_{DD3}	V
High-level control input voltage, V_{IH}	2			V
Low-level control input voltage, V_{IL}			0.8	V
Input clock frequency, $f_{(CLKIN)}$	0.5		7.8	MHz
Setup time, \overline{CS} low before \overline{WR} or \overline{RD} goes low, $t_{su}(CS)$	0			ns
Hold time, \overline{CS} low after \overline{WR} or \overline{RD} goes high, $t_h(CS)$	0			ns
\overline{WR} or \overline{RD} pulse duration, $t_w(WR)$	50			ns
Input clock low pulse duration, $t_{wL}(CLKIN)$	40% of period		80% of period	
Operating free-air temperature, T_A	TLC155xI	-40	85	°C
	TLC1550M	-55	125	

NOTE 2: Analog input voltages greater than that applied to REF+ convert to all 1s (1111111111), while input voltages less than that applied to REF- convert to all 0s (0000000000). The total unadjusted error may increase as this differential voltage falls below 4.75 V.

TLC1550I, TLC1550M, TLC1551I
10-BIT ANALOG-TO-DIGITAL CONVERTERS
WITH PARALLEL OUTPUTS

SLAS043C – MAY 1991 – REVISED MARCH 1995

electrical characteristics over recommended operating free-air temperature range,
 $V_{DD} = V_{ref+} = 4.75$ to 5.5 V and $V_{ref-} = 0$ (unless otherwise noted)

PARAMETER		TEST CONDITIONS	MIN	TYP†	MAX	UNIT
V_{OH}	High-level output voltage	$V_{DD} = 4.75$ V, $I_{OH} = -360$ μ A	2.4			V
V_{OL}	Low-level output voltage	$V_{DD} = 4.75$ V, $I_{OL} = 2.4$ mA		$T_A = 25^\circ$ C	0.4	V
				$T_A = -55^\circ$ C to 125° C	0.5	
I_{OZ}	Off-state (high-impedance-state) output current	$V_O = V_{DD}$, \overline{CS} and \overline{RD} at V_{DD}			10	μ A
		$V_O = 0$, \overline{CS} and \overline{RD} at V_{DD}			-10	
I_{IH}	High-level input current	$V_I = V_{DD}$		0.005	2.5	μ A
I_{IL}	Low-level input current (except CLKIN)	$V_I = 0$	-2.5	-0.005		μ A
I_{IL}	Low-level input current (CLKIN)		-150	-50		μ A
I_{OS}	Short-circuit output current	$V_O = 5$ V, $T_A = 25^\circ$ C	7	14		mA
		$V_O = 0$, $T_A = 25^\circ$ C		-12	-6	
I_{DD}	Operating supply current	\overline{CS} low and \overline{RD} high		2	8	mA
C_i	Input capacitance	Analog inputs		60	90*	pF
		Digital inputs	See typical equivalent inputs TLC1550/1I	5	15*	

* On products compliant to MIL-STD-883, Class B, this parameter is not production tested.

† All typical values are at $V_{DD} = 5$ V, $T_A = 25^\circ$ C.

TLC1550I, TLC1550M, TLC1551I

10-BIT ANALOG-TO-DIGITAL CONVERTERS

WITH PARALLEL OUTPUTS

SLAS043C – MAY 1991 – REVISED MARCH 1995

operating characteristics over recommended operating free-air temperature range with internal clock and minimum sampling time of 4 μ s, $V_{DD} = V_{ref+} = 5$ V and $V_{ref-} = 0$ (unless otherwise noted)

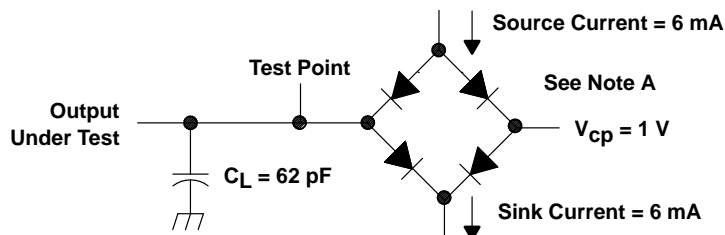
PARAMETER		TEST CONDITIONS	T_A^\dagger	MIN	TYP ‡	MAX	UNIT
E_L	Linearity error	See Note 3	Full range			± 0.5	LSB
						± 1	
						± 0.5	
						± 1	
E_{ZS}	Zero-scale error	See Notes 2 and 4	Full range			± 0.5	LSB
						± 1	
						± 0.5	
						± 1	
E_{FS}	Full-scale error	See Notes 2 and 4	Full range			± 0.5	LSB
						± 1	
						± 0.5	
						± 1	
Total unadjusted error		See Note 5	Full range			± 0.5	LSB
						± 1	
						± 1	
t_{conv}	Conversion time	$f_{clock}(\text{external}) = 4.2$ MHz or internal clock				6	μ s
$t_{a(D)}$	Data access time after \overline{RD} goes low	See Figure 3				35	ns
$t_{v(D)}$	Data valid time after \overline{RD} goes high			5		ns	
$t_{dis(D)}$	Disable time, delay time from \overline{RD} high to high impedance				30	ns	
$t_d(\text{EOC})$	Delay time, \overline{RD} low to \overline{EOC} high			0	15	ns	

† Full range is -40°C to 85°C for the TL155xI devices and -55°C to 125°C for the TLC1550M.

‡ All typical values are at $V_{DD} = 5$ V, $T_A = 25^\circ\text{C}$.

- NOTES:
- Analog input voltages greater than that applied to REF+ convert to all 1s (1111111111), while input voltages less than that applied to REF- convert to all 0s (0000000000). The total unadjusted error may increase as this differential voltage falls below 4.75 V.
 - Linearity error is the difference between the actual analog value at the transition between any two adjacent steps and its ideal value after zero-scale error and full-scale error have been removed.
 - Zero-scale error is the difference between the actual mid-step value and the nominal mid-step value at specified zero scale. Full-scale error is the difference between the actual mid-step value and the nominal mid-step value at specified full scale.
 - Total unadjusted error is the difference between the actual analog value at the transition between any two adjacent steps and its ideal value. It includes contributions from zero-scale error, full-scale error, and linearity error.

PARAMETER MEASUREMENT INFORMATION



V_{cp} = voltage commutation point for switching between source and sink currents

NOTE A: Equivalent load circuit of the Teradyne A500 tester for timing parameter measurement

Figure 1. Test Load Circuit

APPLICATION INFORMATION

simplified analog input analysis

Using the circuit in Figure 2, the time required to charge the analog input capacitance from 0 to V_S within 1/2 LSB can be derived as follows:

The capacitance charging voltage is given by

$$V_C = V_S \left(1 - e^{-t_c / R_t C_i} \right) \quad (1)$$

where

$$R_t = R_s + r_i$$

The final voltage to 1/2 LSB is given by

$$V_C \text{ (1/2 LSB)} = V_S - (V_S / 1024) \quad (2)$$

Equating equation 1 to equation 2 and solving for time t_c gives

$$V_S - (V_S / 512) = V_S \left(1 - e^{-t_c / R_t C_i} \right) \quad (3)$$

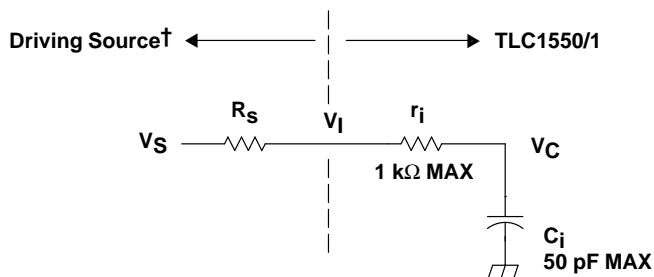
and

$$t_c \text{ (1/2 LSB)} = R_t \times C_i \times \ln(1024) \quad (4)$$

Therefore, with the values given, the time for the analog input signal to settle is

$$t_c \text{ (1/2 LSB)} = (R_s + 1 \text{ k}\Omega) \times 60 \text{ pF} \times \ln(1024) \quad (5)$$

This time must be less than the converter sample time shown in the timing diagrams.



V_I = Input voltage at AIN
 V_S = External driving source voltage
 R_s = Source resistance
 r_i = Input resistance
 C_i = Input capacitance

† Driving source requirements:

- Noise and distortion for the source must be equivalent to the resolution of the converter.
- R_s must be real at the input frequency.

Figure 2. Input Circuit Including the Driving Source

TLC1550I, TLC1550M, TLC1551I 10-BIT ANALOG-TO-DIGITAL CONVERTERS WITH PARALLEL OUTPUTS

SLAS043C – MAY 1991 – REVISED MARCH 1995

PRINCIPLES OF OPERATION

The operating sequence for complete data acquisition is shown in Figure 3. Processors can address the TLC1550 and TLC1551 as an external memory device by simply connecting the address lines to a decoder and the decoder output to \overline{CS} . Like other peripheral devices, the write (\overline{WR}) and read (\overline{RD}) input signals are valid only when \overline{CS} is low. Once \overline{CS} is low, the on-board system clock permits the conversion to begin with a simple write command and the converted data to be presented to the data bus with a simple read command. The device remains in a sampling (track) mode from the rising edge of \overline{EOC} until conversion begins with the rising edge of \overline{WR} , which initiates the hold mode. After the hold mode begins, the clock controls the conversion automatically. When the conversion is complete, the end-of-conversion (\overline{EOC}) signal goes low indicating that the digital data has been transferred to the output latch. Lowering \overline{CS} and \overline{RD} then resets \overline{EOC} and transfers the data to the data bus for the processor read cycle.

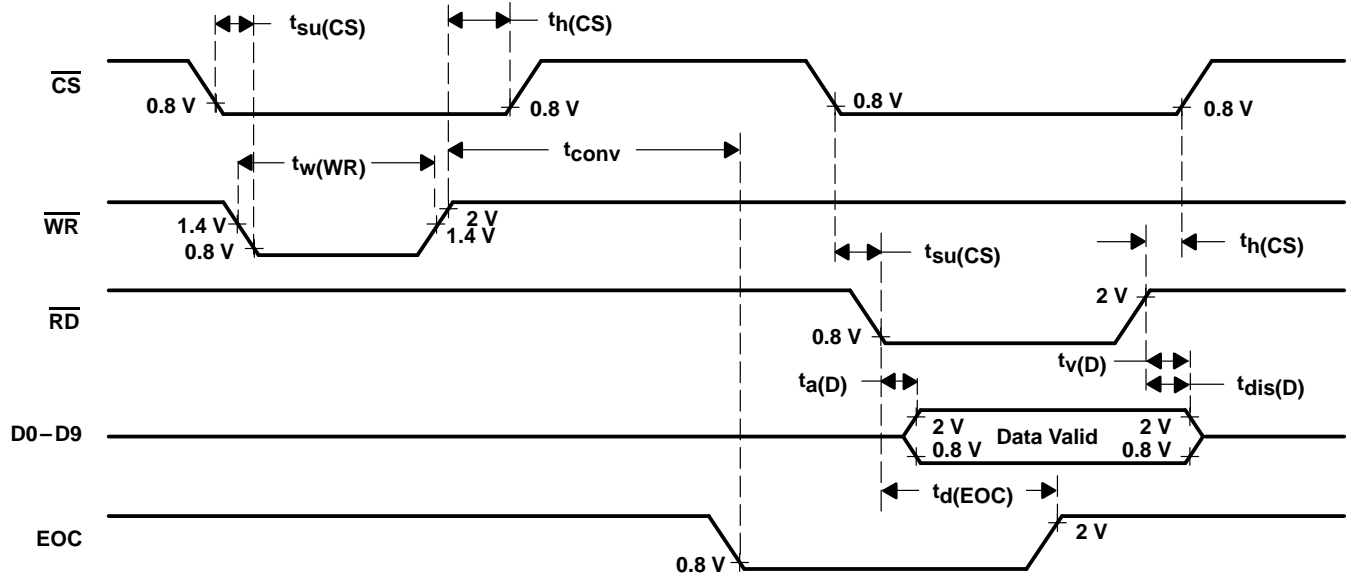


Figure 3. TLC1550 or TLC1551 Operating Sequence

IMPORTANT NOTICE

Texas Instruments (TI) reserves the right to make changes to its products or to discontinue any semiconductor product or service without notice, and advises its customers to obtain the latest version of relevant information to verify, before placing orders, that the information being relied on is current.

TI warrants performance of its semiconductor products and related software to the specifications applicable at the time of sale in accordance with TI's standard warranty. Testing and other quality control techniques are utilized to the extent TI deems necessary to support this warranty. Specific testing of all parameters of each device is not necessarily performed, except those mandated by government requirements.

Certain applications using semiconductor products may involve potential risks of death, personal injury, or severe property or environmental damage ("Critical Applications").

TI SEMICONDUCTOR PRODUCTS ARE NOT DESIGNED, INTENDED, AUTHORIZED, OR WARRANTED TO BE SUITABLE FOR USE IN LIFE-SUPPORT APPLICATIONS, DEVICES OR SYSTEMS OR OTHER CRITICAL APPLICATIONS.

Inclusion of TI products in such applications is understood to be fully at the risk of the customer. Use of TI products in such applications requires the written approval of an appropriate TI officer. Questions concerning potential risk applications should be directed to TI through a local SC sales office.

In order to minimize risks associated with the customer's applications, adequate design and operating safeguards should be provided by the customer to minimize inherent or procedural hazards.

TI assumes no liability for applications assistance, customer product design, software performance, or infringement of patents or services described herein. Nor does TI warrant or represent that any license, either express or implied, is granted under any patent right, copyright, mask work right, or other intellectual property right of TI covering or relating to any combination, machine, or process in which such semiconductor products or services might be or are used.