

TL5632C

8-BIT 3-CHANNEL HIGH-SPEED DIGITAL-TO-ANALOG CONVERTER

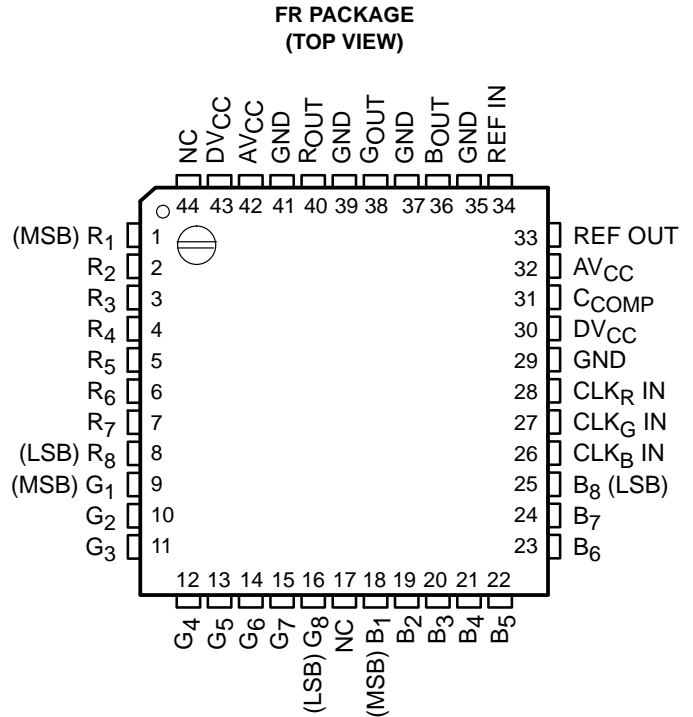
SLAS091 – DECEMBER 1994

- **8-Bit Resolution**
- **Linearity . . . $\pm 1/2$ LSB Maximum**
- **Differential Nonlinearity . . . $\pm 1/2$ LSB Maximum**
- **Conversion Rate . . . 60 MHz Min**
- **Nominal Output Signal Operating Range V_{CC} to $V_{CC} - 1$ V**
- **TTL Digital Input Voltage**
- **5-V Single Power Supply Operation**
- **Low Power Consumption . . . 350 mW Typ**

description

The TL5632C is a low-power ultra-high-speed video digital-to-analog converter that uses the Advanced Low-Power Schottky (ALS) process. The device has a three channel I/O; the red, the blue, and the green channel. The red, blue, and green signals are referred to collectively as the RGB signal. An internally generated reference is also provided for the standard video output voltage range. Conversion of digital signals to analog signals can be at a sampling rate of dc to 60 MHz. The high conversion rate makes the TL5632C suitable for digital television, computer digital video processing, and high-speed data conversion.

The TL5632C is characterized for operation from 0°C to 70°C.



NC – No internal connection

FUNCTION TABLE

STEP	DIGITAL INPUT	OUTPUT VOLTAGE
0	LLLLLLLLL	3.980 V
1	LLLLLLLLH	3.984 V
•	•	•
•	•	•
•	•	•
127	LHHHHHHH	4.488 V
128	HLLLLLLL	4.492 V
129	HLLLLLLH	4.996 V
•	•	•
•	•	•
•	•	•
254	HHHHHHHL	4.996 V
255	HHHHHHH	5.000 V

AVAILABLE OPTIONS

T _A	PACKAGE
0°C to 70°C	TL5632CFR

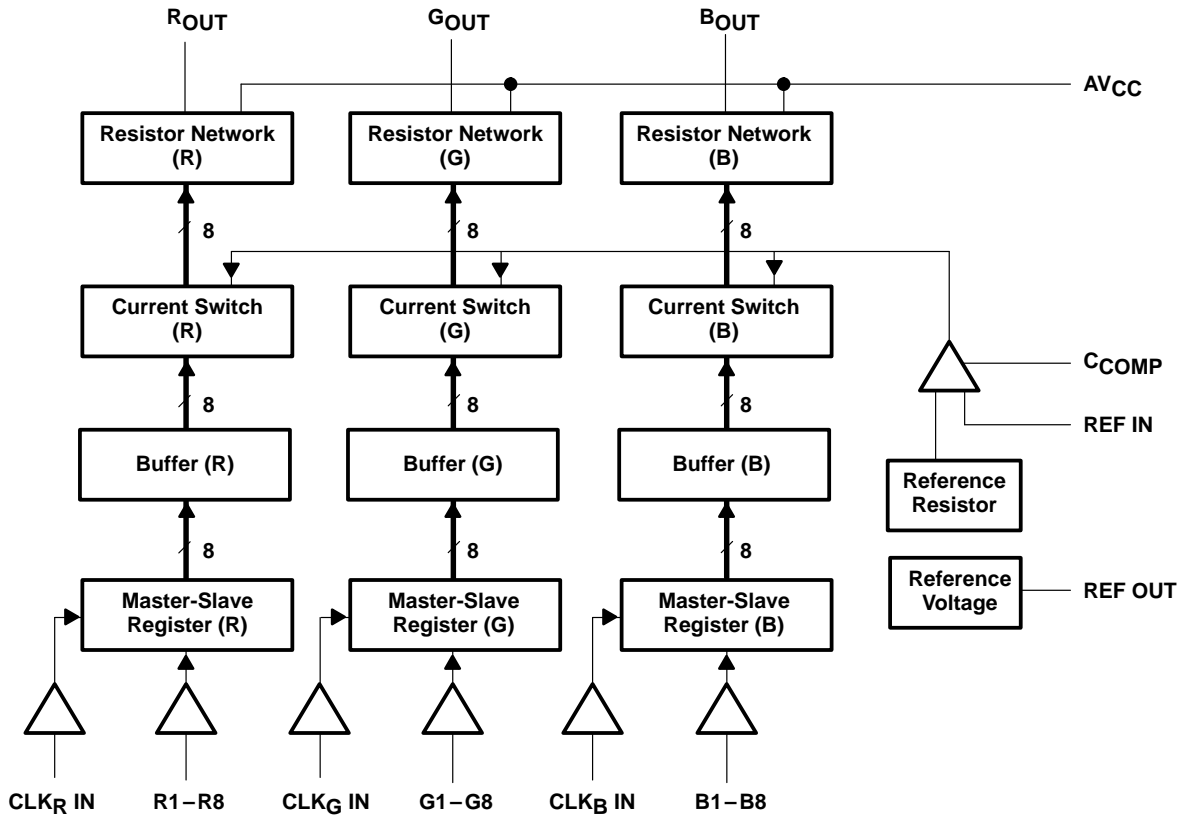
PRODUCTION DATA information is current as of publication date. Products conform to specifications per the terms of Texas Instruments standard warranty. Production processing does not necessarily include testing of all parameters.



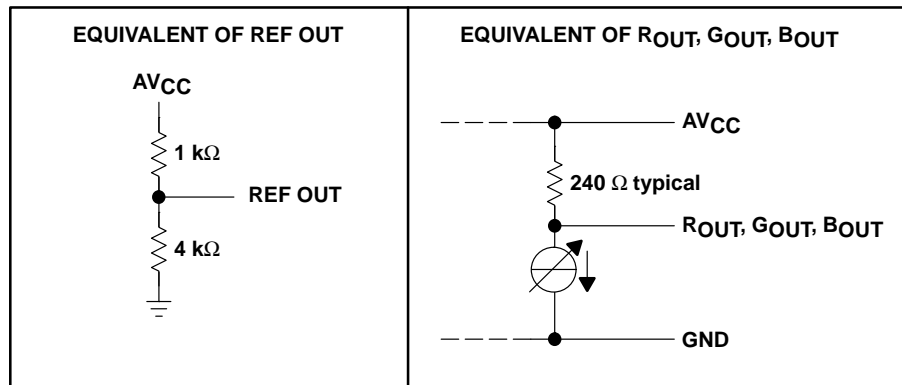
TL5632C 8-BIT 3-CHANNEL HIGH-SPEED DIGITAL-TO-ANALOG CONVERTER

SLAS091 – DECEMBER 1994

functional block diagram



schematics of outputs



TL5632C

8-BIT 3-CHANNEL HIGH-SPEED DIGITAL-TO-ANALOG CONVERTER

SLAS091 – DECEMBER 1994

Terminal Functions

TERMINAL NAME	NO.	I/O	DESCRIPTION
B ₁ – B ₈	18 – 25	I	B-channel digital input (B ₁ = MSB)
B _{OUT}	36	O	B-channel analog output
C _{COMP}	31		Phase compensation capacitance. A 1 μF capacitor is connected from C _{COMP} to GND.
CLK _B IN	26	I	B-channel clock input
CLK _G IN	27	I	G-channel clock input
CLK _R IN	28	I	R-channel clock input
G ₁ – G ₈	9 – 16	I	G-Channel digital input (G ₁ = MSB)
GND	29, 35, 37, 39, 41		Ground. All GND terminals are connected internally; however, all GND terminals should be connected externally to a ground plane or equivalent low impedance ground return.
G _{OUT}	38	O	G-channel analog output
NC	17, 44		No connection internally
R ₁ – R ₈	1 – 8	I	R-channel digital input (R ₁ = MSB)
R _{OUT}	40	O	R-channel analog output
AV _{CC}	32, 42		Analog power supply voltage
DV _{CC}	30, 43		Digital power supply voltage
REF IN	34	I	Reference voltage input. REF IN accepts the reference voltage on REF OUT. An external reference can also be applied consistent with Note 1.
REF OUT	33	O	Reference voltage output. An internal voltage divider generates the voltage level (see schematics of outputs, page 2).

NOTE 1: $V_{CC} - V_{ref} \leq 1.2 \text{ V}$

absolute maximum ratings over operating free-air temperature range (unless otherwise noted)†

Power supply voltage range, AV _{CC} , DV _{CC} (see Note 2)	–0.3 V to 7 V
Digital input voltage range, V _I	–0.3 V to DV _{CC}
Analog output voltage range, R _{OUT} , G _{OUT} , B _{OUT} , C _{COMP} (externally applied)	–0.3 V to AV _{CC} + 0.3 V
Reference input range, REF IN	–0.3 V to AV _{CC} + 0.3 V
Reference output range, REF OUT	–0.3 V to AV _{CC} + 0.3 V
Operating free-air temperature range, T _A	0°C to 70°C
Storage temperature range	–65°C to 150°C
Lead temperature 1,6 mm (1/16 inch) from case for 10 seconds	260°C

† Stresses beyond those listed under “absolute maximum ratings” may cause permanent damage to the device. These are stress ratings only, and functional operation of the device at these or any other conditions beyond those indicated under “recommended operating conditions” is not implied. Exposure to absolute-maximum-rated conditions for extended periods may affect device reliability.

NOTE 2: All voltage values are with respect to GND.



TL5632C

8-BIT 3-CHANNEL HIGH-SPEED DIGITAL-TO-ANALOG CONVERTER

SLAS091 – DECEMBER 1994

recommended operating conditions

	MIN	NOM	MAX	UNIT
Supply voltage, V_{CC} , DV_{CC}	4.75	5	5.25	V
High-level input voltage, V_{IH}	2			V
Low-level input voltage, V_{IL}			0.8	V
Reference voltage, V_{ref} (see Note 1)	3.8	4	4.2	V
Setup time, data before $CLK\uparrow$, t_{su1}	10			ns
Hold time, data after $CLK\uparrow$, t_{h1}	3			ns
Pulse duration at high level, t_{w1}	8.3			ns
Pulse duration at low level, t_{w2}	8.3			ns
External phase compensation capacitance, C_{COMP}	1			μ F
Operating free-air temperature, T_A	0		70	$^{\circ}$ C

NOTE 1: $V_{CC} - V_{ref} \leq 1.2$ V

electrical characteristics over recommended ranges of supply voltage and operating free-air temperature (unless otherwise noted)

PARAMETER	TEST CONDITIONS	MIN	TYP†	MAX	UNIT
Resolution				8	Bit
I_{IH}	High-level input current $V_{CC} = 5.25$ V, $V_{IH} = 2.7$ V			20	μ A
I_{IL}	Low-level input current $V_{CC} = 5.25$ V, $V_{IH} = 2.7$ V	-400			μ A
I_{ref}	Reference input current REF IN = 4 V			10	μ A
V_{ref}	Reference output voltage $V_{CC} = 5$ V, With internal reference	3.8	4	4.2	V
V_{FS}	Full-scale analog output voltage $V_{IH} = 2$ V, REF IN = 4 V	$AV_{CC} - 15$	AV_{CC}	$AV_{CC} + 15$	mV
V_{ZS}	Zero-scale analog output voltage $V_{IL} = 0.8$ V, REF IN = 4 V	3.9	3.98	4.05	V
RGB full-scale ratio		0%	4%	8%	
z_o	Output impedance	200	240	280	Ω
I_{CC}	Supply current		70	90	mA

operating characteristics over recommended ranges of supply voltage and operating free-air temperature (unless otherwise noted)

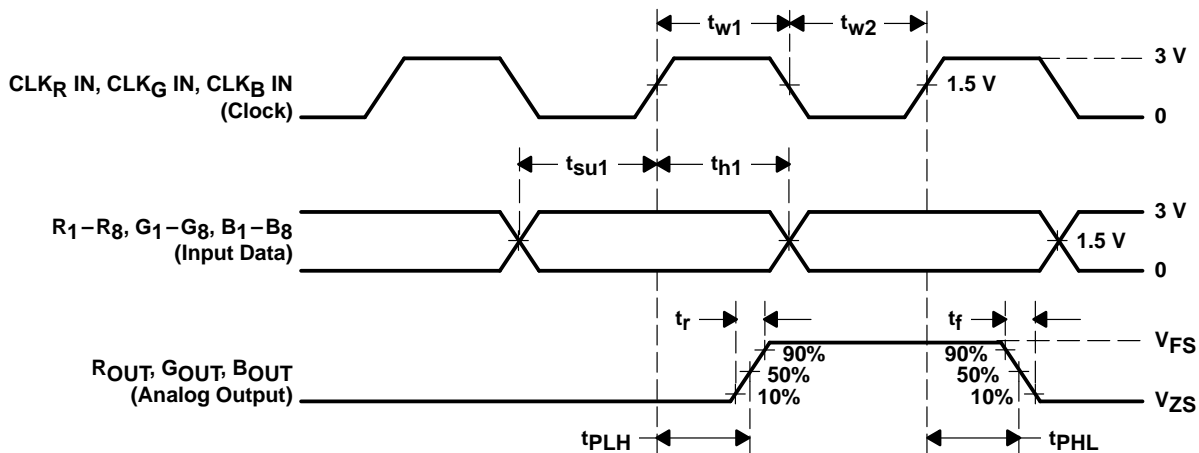
PARAMETER	TEST CONDITIONS	MIN	TYP†	MAX	UNIT
E_L	Linearity error End point, REF IN = 4 V			± 0.5	LSB
E_D	Differential linearity error REF IN = 4 V			± 0.5	LSB
f_c	Maximum conversion rate		60		MHz
t_{PLH}	Propagation delay time, low-to-high level		10		ns
t_{PHL}	Propagation delay time, high-to-low level		10		
t_r	Rise time		5		ns
t_f	Fall time		5		

† All typical values are at $V_{CC} = 5$ V, $T_A = 25^{\circ}$ C.

‡ C_L includes probe and jig capacitances.



PARAMETER MEASUREMENT INFORMATION



TYPICAL CHARACTERISTICS

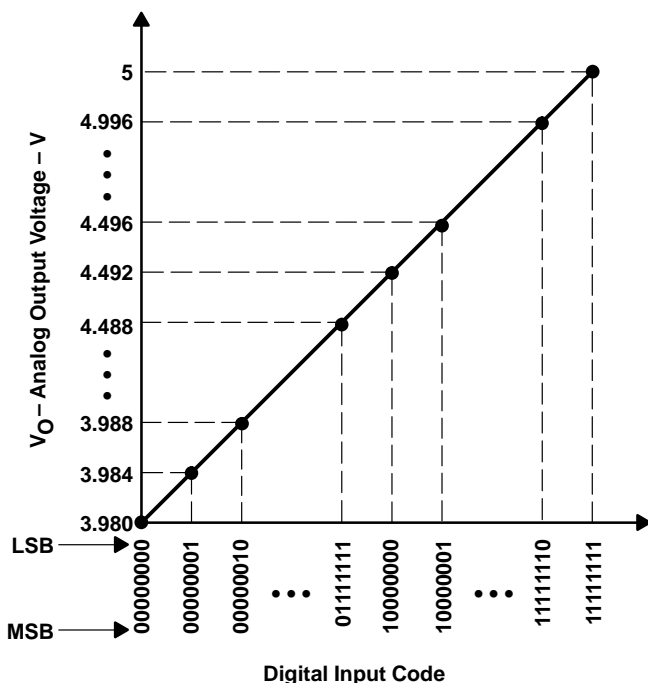


Figure 1. Ideal Conversion Characteristics

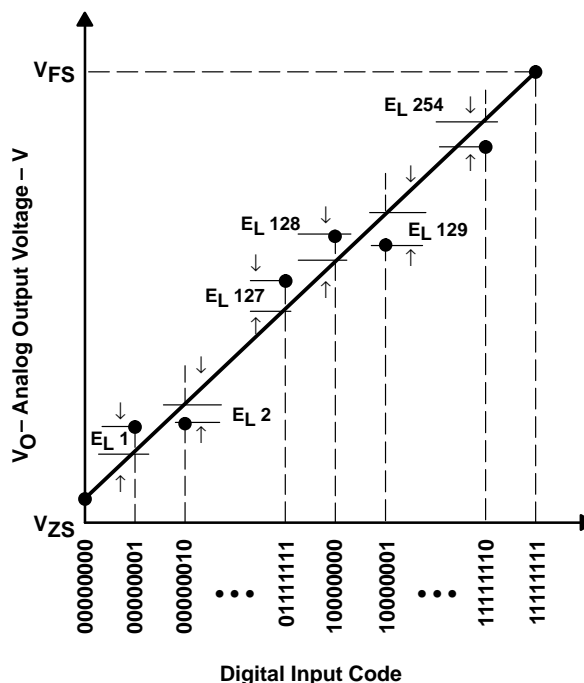


Figure 2. End-Point Linearity Error

TL5632C

8-BIT 3-CHANNEL HIGH-SPEED DIGITAL-TO-ANALOG CONVERTER

SLAS091 – DECEMBER 1994

APPLICATION INFORMATION

The following design procedures should be used for optimum operation.

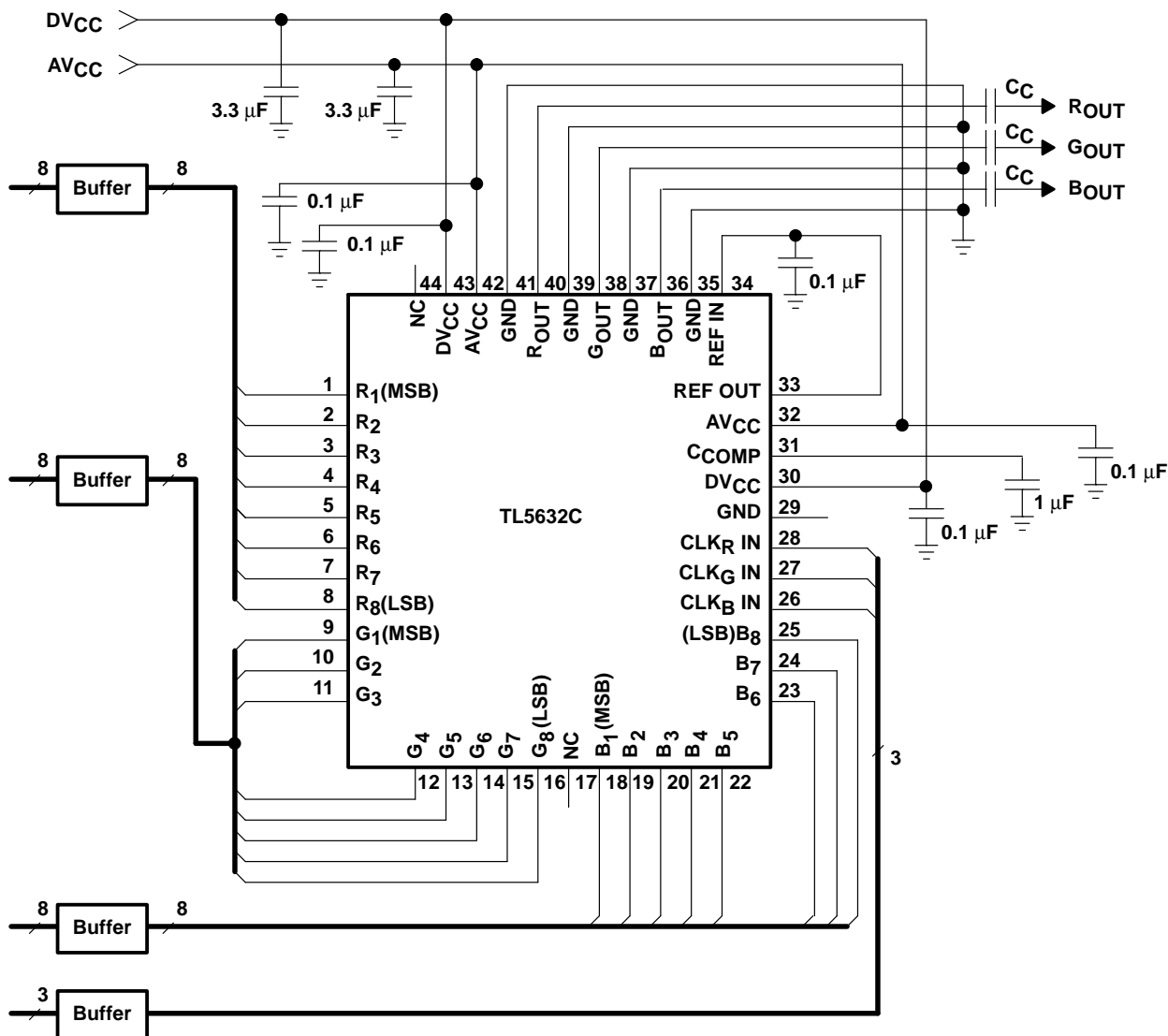
- External analog and digital circuitry should be physically separated and shielded as much as possible to reduce system noise.
- RF breadboarding or RF printed-circuit-board (PCB) techniques should be used throughout the evaluation and production process.
- Wide ground leads or a ground plane should be used on the PCB layouts to minimize parasitic inductance and resistance. A ground plane is the better choice for noise reduction.
- AV_{CC} and DV_{CC} are also separate internally, so they must be connected externally. These external PCB leads should also be made as wide as possible. A ferrite bead or equivalent inductance should be placed in series with AV_{CC} and the decoupling capacitor before the AV_{CC} and DV_{CC} leads are connected together on the board. It is critical that the supply voltage applied to AV_{CC} be as noise free and ripple free as possible. Ripple and noise rejection should be a minimum of 60 dB below the full-scale output range of 1 V peak-to-peak.
- AV_{CC} to GND and DV_{CC} to GND should be decoupled with 3.3- μ F and 0.1- μ F capacitors, respectively, as close as possible to the appropriate device terminals. A ceramic chip capacitor is recommended for the 0.1- μ F capacitor.
- The phase compensation capacitor should be connected between C_{COMP} and GND with as short a lead-in as possible.
- The no-connection (NC) terminals on the small-outline package should be connected to GND.
- AV_{CC} , DV_{CC} , and R_{OUT} , G_{OUT} , and B_{OUT} should be shielded from the high-frequency terminals CLK_R IN, CLK_G IN, and CLK_B IN and the input data terminals. GND traces should be placed on both sides of the R_{OUT} , G_{OUT} , and B_{OUT} traces on the PCB to the following signal processing stage. These output traces should be as short as possible.

TL5632C

8-BIT 3-CHANNEL HIGH-SPEED DIGITAL-TO-ANALOG CONVERTER

SLAS091 – DECEMBER 1994

APPLICATION INFORMATION



- NOTES: A. Buffers are SN74AS244 or equivalent.
 B. 0.1 μF capacitors should be placed as close to the device terminals as possible.
 C. The coupling capacitor (C_C) value is application specific and selectable by the user.

Figure 3. Typical Bypass, Buffer, and Output Configuration

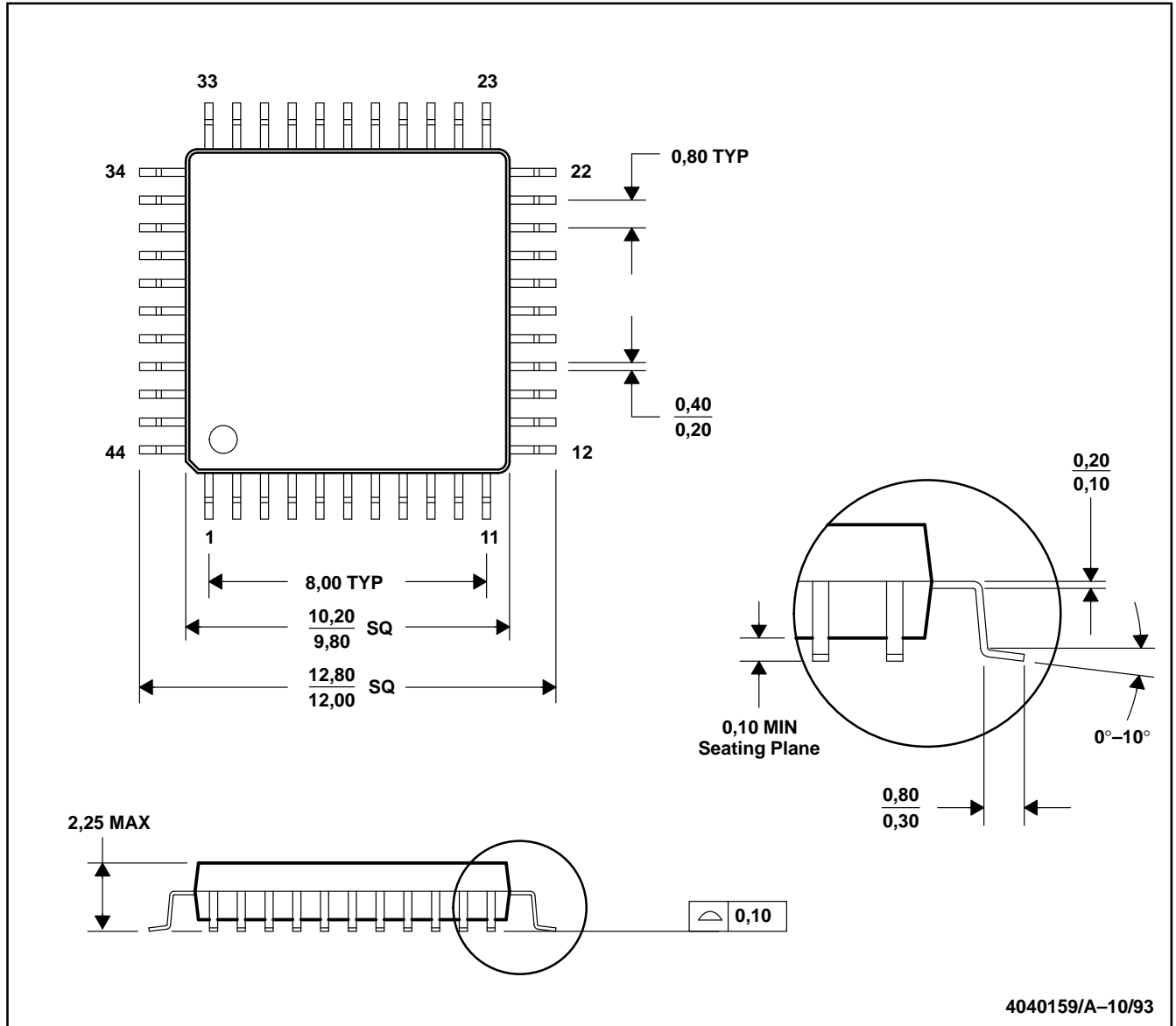
TL5632C 8-BIT 3-CHANNEL HIGH-SPEED DIGITAL-TO-ANALOG CONVERTER

SLAS091 – DECEMBER 1994

MECHANICAL DATA

FR/S-PQFP-G44

PLASTIC QUAD FLATPACK



NOTES: A. All linear dimensions are in millimeters.
B. This drawing is subject to change without notice.

IMPORTANT NOTICE

Texas Instruments (TI) reserves the right to make changes to its products or to discontinue any semiconductor product or service without notice, and advises its customers to obtain the latest version of relevant information to verify, before placing orders, that the information being relied on is current.

TI warrants performance of its semiconductor products and related software to the specifications applicable at the time of sale in accordance with TI's standard warranty. Testing and other quality control techniques are utilized to the extent TI deems necessary to support this warranty. Specific testing of all parameters of each device is not necessarily performed, except those mandated by government requirements.

Certain applications using semiconductor products may involve potential risks of death, personal injury, or severe property or environmental damage ("Critical Applications").

TI SEMICONDUCTOR PRODUCTS ARE NOT DESIGNED, INTENDED, AUTHORIZED, OR WARRANTED TO BE SUITABLE FOR USE IN LIFE-SUPPORT APPLICATIONS, DEVICES OR SYSTEMS OR OTHER CRITICAL APPLICATIONS.

Inclusion of TI products in such applications is understood to be fully at the risk of the customer. Use of TI products in such applications requires the written approval of an appropriate TI officer. Questions concerning potential risk applications should be directed to TI through a local SC sales office.

In order to minimize risks associated with the customer's applications, adequate design and operating safeguards should be provided by the customer to minimize inherent or procedural hazards.

TI assumes no liability for applications assistance, customer product design, software performance, or infringement of patents or services described herein. Nor does TI warrant or represent that any license, either express or implied, is granted under any patent right, copyright, mask work right, or other intellectual property right of TI covering or relating to any combination, machine, or process in which such semiconductor products or services might be or are used.