

TLS1215 WIDE-BAND VIDEO PREAMPLIFIER SYSTEM WITH BLANKING

SLVS096A – OCTOBER 1995

- Wide Bandwidth . . . Typ 100 MHz at –3 dB
- 0-V to 4-V Digital Level-Contrast Control Voltage Range
- 0-V to 4-V Digital Level-Gain Adjust Control Voltage Range
- Individual Gain Adjust for Video Amplifiers
- Output-Stage Blanking
- Fewer Peripheral Components Required Than for Competitive Systems

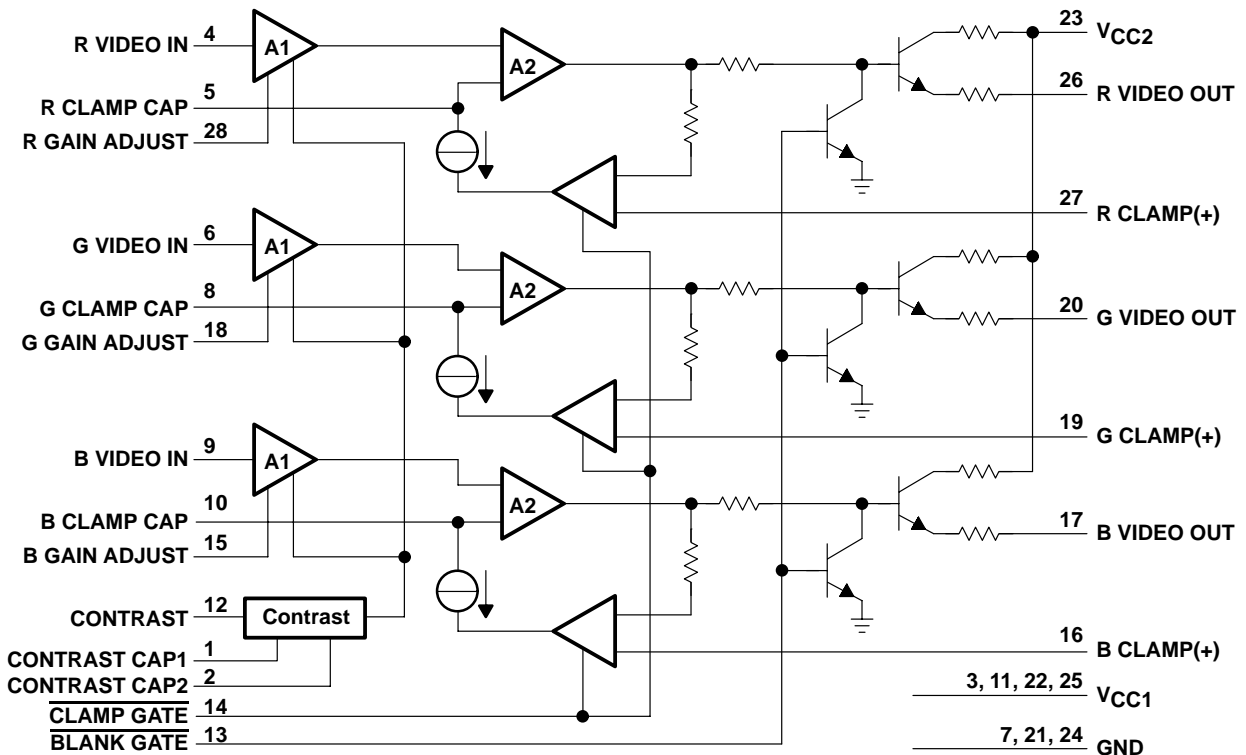
N PACKAGE
(TOP VIEW)

CONTRAST CAP1	1	28	R GAIN ADJUST
CONTRAST CAP2	2	27	R CLAMP(+)
V _{CC1}	3	26	R VIDEO OUT
R VIDEO IN	4	25	V _{CC1}
R CLAMP CAP	5	24	GND
G VIDEO IN	6	23	V _{CC2}
GND	7	22	V _{CC1}
G CLAMP CAP	8	21	GND
B VIDEO IN	9	20	G VIDEO OUT
B CLAMP CAP	10	19	G CLAMP(+)
V _{CC1}	11	18	G GAIN ADJUST
CONTRAST	12	17	B VIDEO OUT
BLANK GATE	13	16	B CLAMP(+)
CLAMP GATE	14	15	B GAIN ADJUST

description

The TLS1215 is a wide-band video preamplifier system intended for high-resolution RGB (red-green-blue) color monitors with blanking control features. Each video amplifier (R, G, and B) contains a gain set for adjusting maximum system gain. The TLS1215 provides digital level-operated contrast, brightness, and gain adjustment. All the control inputs offer high input impedance and an operation range from 0 V to 4 V for easy interface to the serial digital buses. The TLS1215 also contains a blanking circuit, which clamps the video output voltage during blanking period to as low as 0.2 V above ground. The device operates from a 12-V supply. The TLS1215 is characterized for operation from 0°C to 70°C.

functional block diagram



Please be aware that an important notice concerning availability, standard warranty, and use in critical applications of Texas Instruments semiconductor products and disclaimers thereto appears at the end of this data sheet.

PRODUCTION DATA information is current as of publication date. Products conform to specifications per the terms of Texas Instruments standard warranty. Production processing does not necessarily include testing of all parameters.

**TEXAS
INSTRUMENTS**

POST OFFICE BOX 655303 • DALLAS, TEXAS 75265

Copyright © 1995, Texas Instruments Incorporated

TL51215

WIDE-BAND VIDEO PREAMPLIFIER SYSTEM WITH BLANKING

SLVS096A – OCTOBER 1995

absolute maximum ratings over operating free-air temperature range (unless otherwise noted)†

Supply voltage, V_{CC}	13.5 V
Input voltage range, V_I (see Note 1)	0 V to V_{CC}
Video output current (per channel)	28 mA
Total power dissipation at (or below) 25°C free-air temperature (see Note 2)	2.1 W
Operating virtual junction temperature, T_J	150°C
Operating free-air temperature range, T_A	0°C to 70°C
Storage temperature range, T_{stg}	-65°C to 150°C
Lead temperature 1,6 mm (1/16 inch) from case for 10 seconds	260°C

† Stresses beyond those listed under “absolute maximum ratings” may cause permanent damage to the device. These are stress ratings only, and functional operation of the device at these or any other conditions beyond those indicated under “recommended operating conditions” is not implied. Exposure to absolute-maximum-rated conditions for extended periods may affect device reliability.

- NOTES: 1. All V_{CC} pins must be externally wired together to prevent internal damage during V_{CC} power-on/off cycles.
2. For operation above 25°C free-air temperature, derate linearly to 1.5 W at the rate of 13 mW/°C.

recommended operating conditions

	MIN	NOM	MAX	UNIT
Supply voltage, V_{CC1} and V_{CC2}	10.8	12	13.2	V
High-level input voltage, $\overline{\text{CLAMP GATE}}$, V_{IH}	2.4		5	V
Low-level input voltage, $\overline{\text{CLAMP GATE}}$, V_{IL}	0		0.8	V
High-level input voltage, $\overline{\text{BLANK GATE}}$, V_{IH}	2.4		5	V
Low-level input voltage, $\overline{\text{BLANK GATE}}$, V_{IL}	0		0.8	V
Operating free-air temperature, T_A	0		70	°C

electrical characteristics at 25°C operating free-air temperature range, $\overline{\text{CLAMP GATE}} = 0$ V, $\overline{\text{BLANK GATE}} = 4$ V, $\text{CLAMP}(+) = 2$ V, $\text{CONTRAST} = R$, G , B GAIN ADJUST = 4 V, $V_{CC1} = V_{CC2} = 12$ V (see Figure 2) (unless otherwise noted)

PARAMETER	ALT SYMBOL	TEST CONDITIONS	MIN	TYP	MAX	UNIT
I_{CC} Supply current		$V_{CC1} + V_{CC2}$	78	90	100	mA
V_{ref} Video input reference voltage		Measure R, G, B VIDEO IN	2.1	2.3	2.6	V
I_I Contrast, R, G, B gain adjust input current	I_I	Measure CONTRAST and B, G, R GAIN ADJUST		-1	-2.5	μA
I_{IL} Clamp gate low input current		$\overline{\text{CLAMP GATE}} = 0$ V		-1	-2.5	μA
I_{IH} Clamp gate high input current		$\overline{\text{CLAMP GATE}} = 5$ V		0.03	1	μA
Clamp capacitor charge current	$I_{K(chg)}$	R, G, B CLAMP CAP = 0 V		-850		μA
Clamp capacitor discharge current	$I_{K(dschg)}$	R, G, B CLAMP CAP = 5 V		+850		μA
V_{OL} Low-level output voltage		R, G, B CLAMP CAP = 0 V		0.3		V
V_{OH} High-level output voltage		R, G, B CLAMP CAP = 5 V		7.8		V
$V_{O(\text{blanked})}$ Blanked output voltage		Blanking circuit active		0.2		V
$V_{O(\text{diff})}$ Output voltage difference	V_{Odiff}	Between any two channels		±0.5	±50	mV



TLS1215

WIDE-BAND VIDEO PREAMPLIFIER SYSTEM WITH BLANKING

SLVS096A – OCTOBER 1995

operating characteristics at 25°C free-air temperature range, $\overline{\text{CLAMP GATE}} = 0 \text{ V}$, $\overline{\text{BLANK GATE}} = 4 \text{ V}$, $\overline{\text{CLAMP}(+)} = 4 \text{ V}$, $\overline{\text{CONTRAST}} = \text{R, G, B GAIN ADJUST} = 4 \text{ V}$, $f_1 = 10 \text{ kHz}$ (unless otherwise noted)

PARAMETER	ALT SYMBOL	TEST CONDITIONS	MIN	TYP	MAX	UNIT
$A_{V(\text{max})}$ Maximum voltage amplification	$A_{V\text{MAX}}$	CONTRAST = 4 V, $V_{I(\text{PP})} = 700 \text{ mV}$		7.8		V/V
$A_{V(\text{mid})}$ Mid-range voltage amplification	$A_{V\text{MID}}$	CONTRAST = 2 V, $V_{I(\text{PP})} = 700 \text{ mV}$		2		V/V
Contrast voltage for minimum amplification	$V_{\text{CONTRASTLOW}}$	$V_{I(\text{PP})} = 1 \text{ V}$, See Note 3		1		V
Amplification match at $A_{V(\text{max})}$	$A_{V\text{MAX}}(\text{DIFF})$	CONTRAST = 4 V, See Note 4		± 0.2		dB
Amplification match at $A_{V(\text{mid})}$	$A_{V\text{MID}}(\text{DIFF})$	CONTRAST = 2 V, See Note 3		± 0.2		dB
Amplification match at $A_{V(\text{low})}$	$A_{V\text{LOW}}(\text{DIFF})$	CONTRAST = $V_{\text{CONTRASTLOW}}$, See Notes 3 and 4		± 0.2		dB
THD Total harmonic distortion	THD	CONTRAST = 1 V, $V_{I(\text{PP})} = 1 \text{ V}$		1.0%		
BW Amplifier bandwidth	$\text{BW}(-3 \text{ dB})$	CONTRAST = 4 V, See Notes 5 and 7		100		MHz
Crosstalk attenuation	a_x	CONTRAST = 4 V, $f = 10 \text{ kHz}$, See Note 6		80		dB
		CONTRAST = 4 V, $f = 10 \text{ MHz}$, See Notes 6 or 7		40		dB
Pulse test	T_r , video T_f , video	$V_{O(\text{PP})} = 4 \text{ V}$, CONTRAST = 4 V, Clamp(+) = 2 V, See Notes 5 and 7		4		ns
	T_r , blank T_f , blank	CONTRAST = 4 V, Clamp(+) = 2 V, See Notes 5 and 7		7		

- NOTES:
3. Determine $V_{\text{CONTRASTLOW}}$ for -40 dB attenuation of output. Reference to A_V maximum.
 4. Measure gain difference between any two amplifiers, $V_{I(\text{PP})} = 1 \text{ V}$.
 5. Adjust input frequency from 10 kHz (A_V maximum ref level) to the -3 dB corner frequency ($f-3 \text{ dB}$). $V_{I(\text{PP})} = 700 \text{ mV}$.
 6. $V_{I(\text{PP})} = 700 \text{ mV}$ at $f = 10 \text{ kHz}$ to any amplifier. Measure output levels of the other two undriven amplifiers relative to driven amplifier.
 7. A special test fixture without a socket and a double-sided full-ground-plane PC board are required.



TLS1215 WIDE-BAND VIDEO PREAMPLIFIER SYSTEM WITH BLANKING

SLVS096A – OCTOBER 1995

APPLICATION INFORMATION

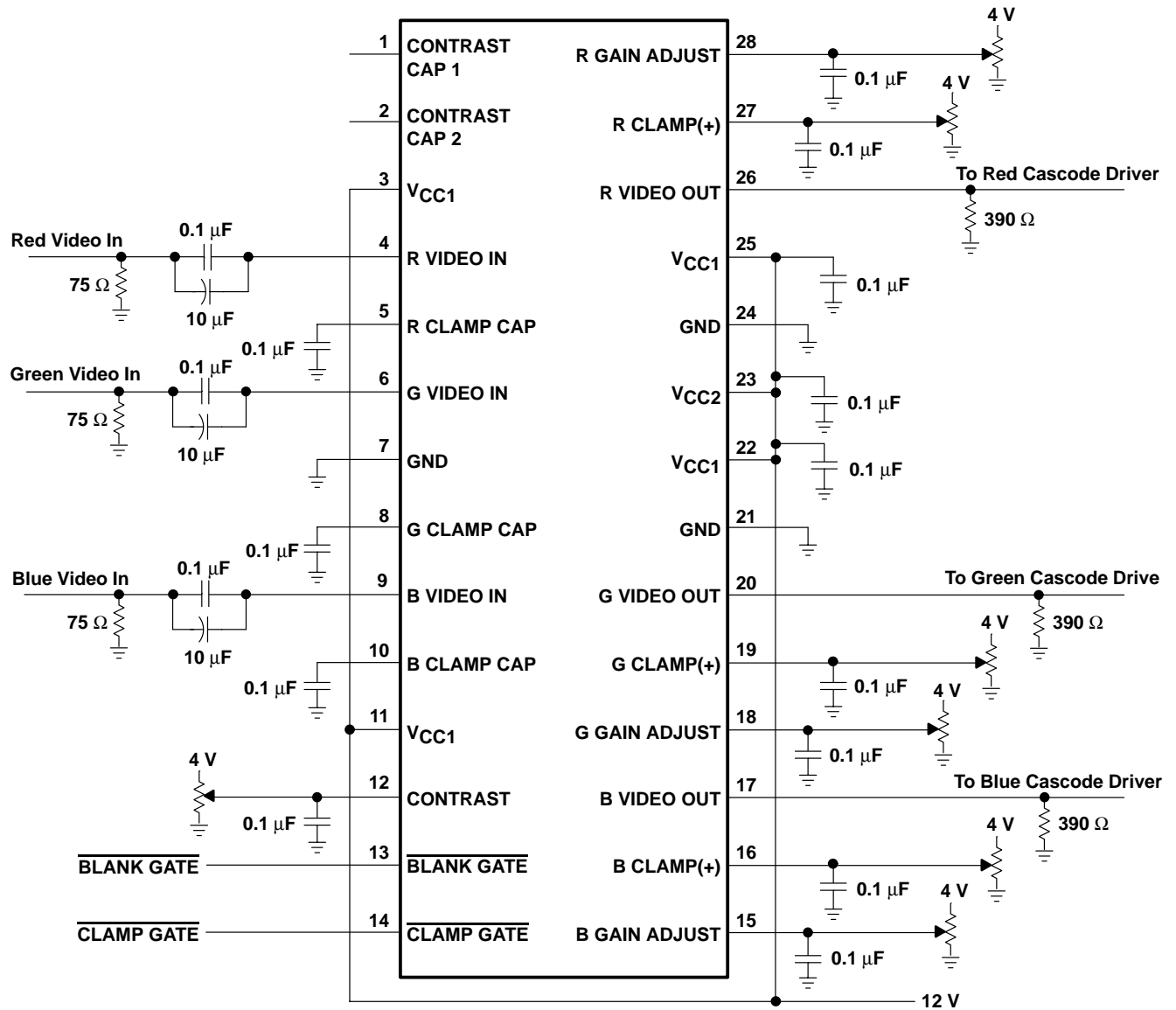
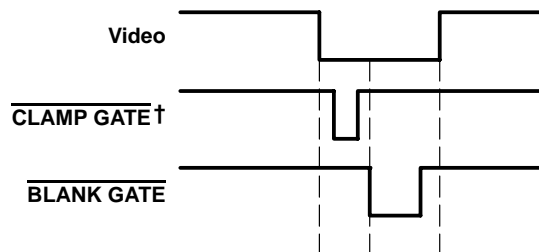


Figure 1. Test/Application Circuit



† Minimum CLAMP GATE pulse: 300 ns

Figure 2. Test/Application Circuit Timing Diagram

IMPORTANT NOTICE

Texas Instruments (TI) reserves the right to make changes to its products or to discontinue any semiconductor product or service without notice, and advises its customers to obtain the latest version of relevant information to verify, before placing orders, that the information being relied on is current.

TI warrants performance of its semiconductor products and related software to the specifications applicable at the time of sale in accordance with TI's standard warranty. Testing and other quality control techniques are utilized to the extent TI deems necessary to support this warranty. Specific testing of all parameters of each device is not necessarily performed, except those mandated by government requirements.

Certain applications using semiconductor products may involve potential risks of death, personal injury, or severe property or environmental damage ("Critical Applications").

TI SEMICONDUCTOR PRODUCTS ARE NOT DESIGNED, INTENDED, AUTHORIZED, OR WARRANTED TO BE SUITABLE FOR USE IN LIFE-SUPPORT APPLICATIONS, DEVICES OR SYSTEMS OR OTHER CRITICAL APPLICATIONS.

Inclusion of TI products in such applications is understood to be fully at the risk of the customer. Use of TI products in such applications requires the written approval of an appropriate TI officer. Questions concerning potential risk applications should be directed to TI through a local SC sales office.

In order to minimize risks associated with the customer's applications, adequate design and operating safeguards should be provided by the customer to minimize inherent or procedural hazards.

TI assumes no liability for applications assistance, customer product design, software performance, or infringement of patents or services described herein. Nor does TI warrant or represent that any license, either express or implied, is granted under any patent right, copyright, mask work right, or other intellectual property right of TI covering or relating to any combination, machine, or process in which such semiconductor products or services might be or are used.