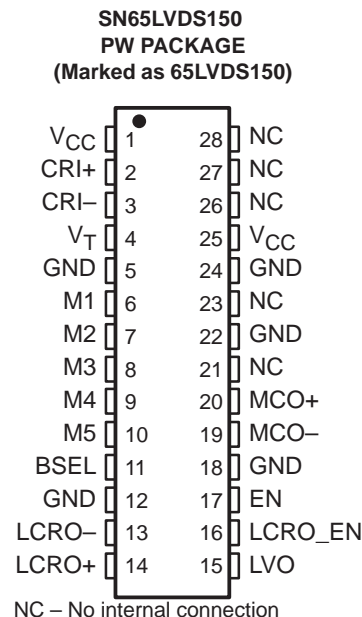


- **A Member of the MuxIt™ Serializer-Deserializer Building-Block Chip Family**
- **Pin Selectable Frequency Multiplier Ratios Between 4 and 40**
- **Input Clock Frequencies From 5 to 50 MHz**
- **Multiplied Clock Frequencies up to 400 MHz**
- **Internal Loop Filters and Low PLL-Jitter of 20 ps RMS Typical at 200 MHz**
- **LVDS Compatible Differential Inputs and Outputs Meet or Exceed the Requirements of ANSI EIA/TIA-644-A**
- **LVTTTL Compatible Inputs Are 5 V Tolerant**
- **LVDS Inputs and Outputs ESD Protection Exceeds 12 kV HBM**
- **Operates From a Single 3.3 V Supply**
- **Packaged in 28-Pin Thin Shrink Small-Outline Package With 26 mil Terminal Pitch**



## description

The MuxIt is a family of general-purpose, multiple-chip building blocks for implementing parallel data serializers and deserializers. The system allows for wide parallel data to be transmitted through a reduced number of differential transmission lines over distances greater than can be achieved with a single-ended (e.g., LVTTTL or LVCMOS) data interface. The number of bits multiplexed per transmission line is user selectable, allowing for higher transmission efficiencies than with other existing fixed ratio solutions. MuxIt utilizes the LVDS (TIA/EIA-644) low voltage differential signaling technology for communications between the data source and data destination.

The MuxIt family initially includes three devices supporting simplex communications; *The SN65LVDS150 Phase Locked Loop-Frequency Multiplier*, *The SN65LVDS151 Serializer-Transmitter*, and *The SN65LVDS152 Receiver-Deserializer*.

The SN65LVDS150 is a PLL based frequency multiplier designed for use with the other members of the MuxIt family of serializers and deserializers. The frequency multiplication ratio is pin selectable over a wide range of values from 4 through 40 to accommodate a broad spectrum of user needs. No external filter components are needed. A PLL lock indicator output is available which may be used to enable link data transfers.



Please be aware that an important notice concerning availability, standard warranty, and use in critical applications of Texas Instruments semiconductor products and disclaimers thereto appears at the end of this data sheet.

MuxIt is a trademark of Texas Instruments.

PRODUCTION DATA information is current as of publication date. Products conform to specifications per the terms of Texas Instruments standard warranty. Production processing does not necessarily include testing of all parameters.



POST OFFICE BOX 655303 • DALLAS, TEXAS 75265

Copyright © 2000, Texas Instruments Incorporated

# SN65LVDS150

## MuxIt™ PLL FREQUENCY MULTIPLIER

SLLS443 – DECEMBER 2000

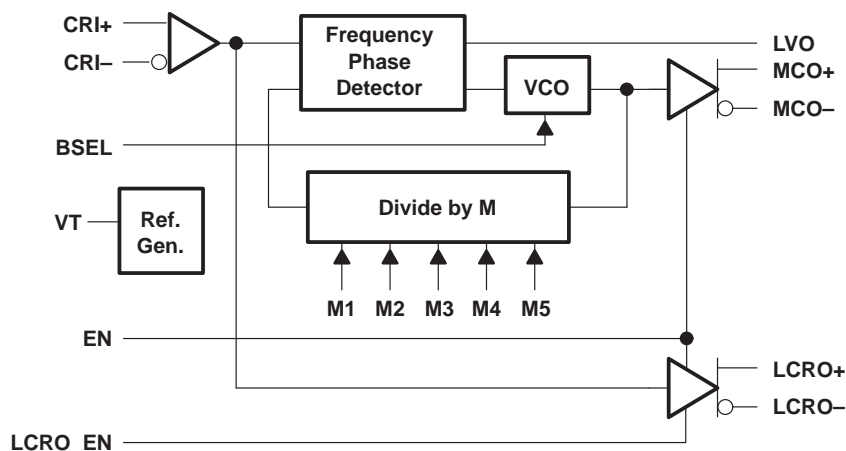
### description (continued)

The design of the SN65LVDS150 allows it to be used at either the transmit end or the receive end of the MuxIt serial link. The differential clock reference input (CRI) is driven by the system's parallel data clock when at the source end of the link, or by the link clock when at the destination end of the link. The differential clock reference input may be driven by either an LVDS differential signal, or by a single ended clock of either polarity. For single-ended use the nonclocked input is biased to the logic threshold voltage. A  $V_{CC}/2$  threshold reference, VT, is provided on a pin adjacent the differential CRI pins for convenience when the input is used in a single-ended mode.

The multiplied clock output (MCO) is an LVDS differential signal used to drive the high-speed shift registers in either the SN65LVDS151 serializer-transmitter or the SN65LVDS152 receiver-deserializer. The link clock reference output (LCRO) is an LVDS differential signal provided to the SN65LVDS151 serializer-transmitter for transmission over the link.

An internal power on reset and an enable input (EN) control the operation of the SN65LVDS150. When  $V_{CC}$  is below 1.5 V, or when EN is low, the device is in a low power disabled state and the MCO and LCRO differential outputs are in a high-impedance state. When  $V_{CC}$  is above 3 V and EN is high, the device and the two differential outputs are enabled and operating to specifications. The link clock reference output enable input (LCRO\_EN) is used to turn off the LCRO output when it is not being used. A band select input (BSEL) is used to optimize the VCO performance as a function of M-clock frequencies and M multiplier that is being used: The  $f_{max}$  parameter in the switching characteristic table includes details on the MCO frequency and choices of BSEL and M.

### block diagram



frequency multiplier value table

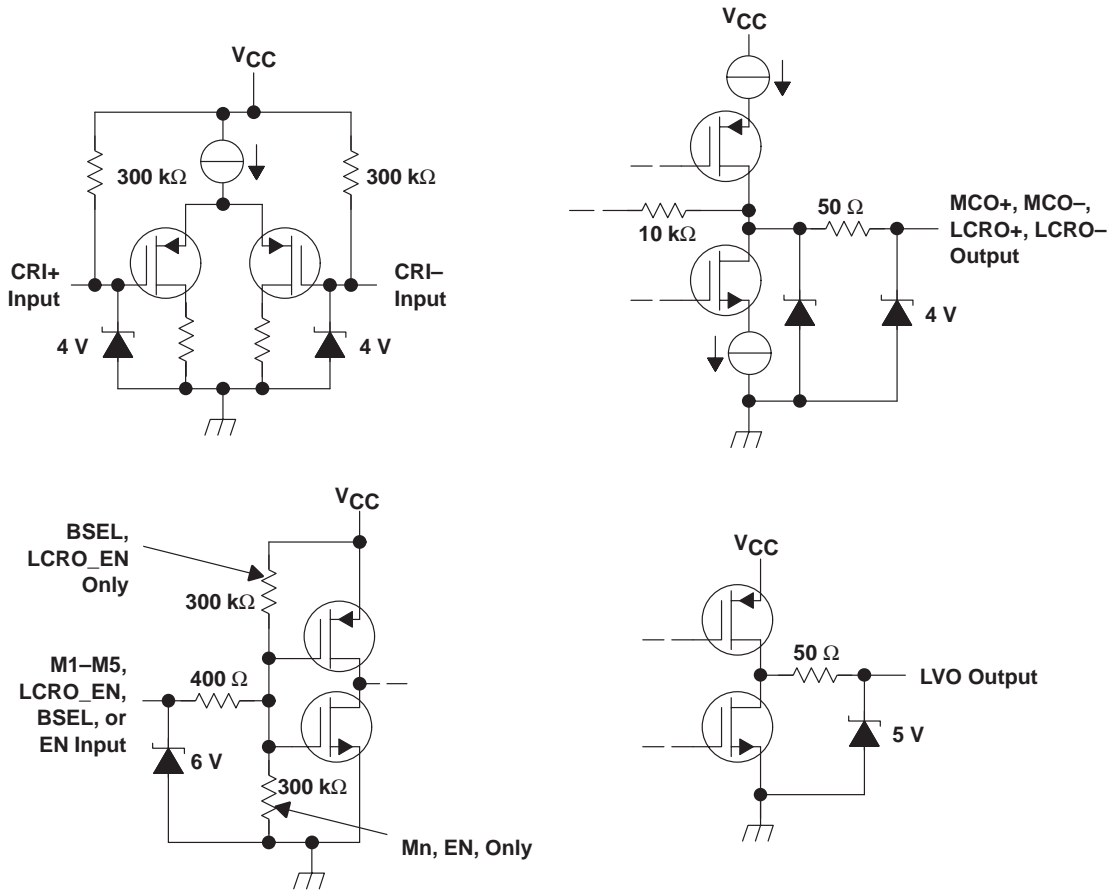
MULTIPLIER (m)	M1	M2	M3	M4	M5	RECOMMENDED $f_{IN}$ (MHz)	
						BSEL = 0	BSEL = 1
4	L	L	L	L	L	$f_{IN} < 12.50$	$12.50 \leq f_{IN}$
†	L	L	L	L	H	NA	NA
6	L	L	L	H	L	$f_{IN} < 8.33$	$8.33 \leq f_{IN}$
†	L	L	L	H	H	NA	NA
8	L	L	H	L	L	$f_{IN} < 12.50$	$12.50 \leq f_{IN}$
9	L	L	H	L	H	$f_{IN} < 11.11$	$11.11 \leq f_{IN}$
10	L	L	H	H	L	$f_{IN} < 10.00$	$10.00 \leq f_{IN}$
†	L	L	H	H	H	NA	NA
12	L	H	L	L	L	$f_{IN} < 8.3$	$8.3 \leq f_{IN}$
13	L	H	L	L	H	$f_{IN} < 7.7$	$7.7 \leq f_{IN}$
14	L	H	L	H	L	$f_{IN} < 7.14$	$7.14 \leq f_{IN}$
15	L	H	L	H	H	$f_{IN} < 6.67$	$6.67 \leq f_{IN}$
16	L	H	H	L	L	$f_{IN} < 6.25$	$6.25 \leq f_{IN}$
17	L	H	H	L	H	$f_{IN} < 5.88$	$5.88 \leq f_{IN}$
18	L	H	H	H	L	$f_{IN} < 5.56$	$5.56 \leq f_{IN}$
19	L	H	H	H	H	$f_{IN} < 5.26$	$5.26 \leq f_{IN}$
20	H	L	L	L	L	$f_{IN} = 5.00$	$5.00 \leq f_{IN}$
22	H	L	L	L	H	NA	$5.00 \leq f_{IN}$
24	H	L	L	H	L	NA	$5.00 \leq f_{IN}$
26	H	L	L	H	H	NA	$5.00 \leq f_{IN}$
28	H	L	H	L	L	NA	$5.00 \leq f_{IN}$
30	H	L	H	L	H	NA	$5.00 \leq f_{IN}$
32	H	L	H	H	L	NA	$5.00 \leq f_{IN}$
34	H	L	H	H	H	NA	$5.00 \leq f_{IN}$
36	H	H	L	L	L	NA	$5.00 \leq f_{IN}$
38	H	H	L	L	H	NA	$5.00 \leq f_{IN}$
40	H	H	L	H	L	NA	$5.00 \leq f_{IN}$
†	H	H	L	H	H	NA	NA
†	H	H	H	L	L	NA	NA
†	H	H	H	L	H	NA	NA
†	H	H	H	H	L	NA	NA
†	H	H	H	H	H	NA	NA

H = high level, L = low level † = Reserved

# SN65LVDS150 MuxIt™ PLL FREQUENCY MULTIPLIER

SLLS443 – DECEMBER 2000

## equivalent input and output schematic diagrams



### Terminal Functions

TERMINAL NAME	NO.	I/O	TYPE	DESCRIPTION
BSEL	11	I	LVTTTL	Band select. Used to optimize VCO performance for minimum M-clock jitter: See recommended $f_{max}$ in the frequency multiplier value table.
CRI+, CRI–	2, 3	I	LVDS	Clock reference input. This is the reference clock signal for the PLL frequency multiplier.
EN	17	I	LVTTTL	Enable input. Used to disable the device to a low power state. A high level input enables the device, a low level input disables the device.
GND	5, 12, 18, 22, 24	I	NA	Circuit ground
LCRO–, LCRO+	13, 14	O	LVDS	Link clock reference output. This is the data block synchronization clock signal from the PLL frequency multiplier.
LCRO_EN	16	I	LVTTTL	LCRO enable. Used to turn off the LCRO outputs when they are not used. A high level input enables the LCRO output; a low level input disables the LCRO output.
LVO	15	O	LVTTTL	Lock/valid output. This is signal required for proper MuxIt system operation. It is to be directly connected to the LVI inputs of SN65LVDS151 or SN65LVDS152 devices. It is used to inhibit the operation of those devices until after the PLL has stabilized. It remains at a low level following a reset until the PLL has become phase locked. A low to high-level transition indicates phase lock has occurred.
M1–M5	6–10	I	LVTTTL	Multiplier value selection inputs. These inputs determine the frequency multiplication ratio M.
MCO–, MCO+	19,20	O	LVDS	M-clock output. This is the high frequency multiplied clock output from the PLL frequency multiplier. It is used by the companion serializer or deserializer devices to synchronizes the transmission or reception of data
NC	21, 23, 26–28		NA	These pins are not connected and may be left open.
V <sub>CC</sub>	1, 25		NA	Supply voltage
V <sub>T</sub>	4		NA	Voltage reference. A V <sub>CC</sub> /2 reference supplied for the unused CRI input when operated in a single-ended mode.

### absolute maximum ratings over operating free-air temperature range (unless otherwise noted)†

Supply voltage range, V <sub>CC</sub> (see Note 1)	–0.5 V to 4 V
Voltage range: EN, BSEL, LCRO_EN, or M1–M5 inputs	–0.5 V to 6 V
CRI input	–0.5 V to 4 V
LCRO±, MCO± outputs	–0.5 V to 4 V
Electrostatic discharge: Human body model (CRI±, LCRO±, MCO±, and GND (see Note 2))	±12 kV
All pins	±2 kV
Charged-device model (all pins) (see Note 3)	±500 V
Continuous total power dissipation	See Dissipation Rating Table
Storage temperature range, T <sub>stg</sub>	–65°C to 150°C
Lead temperature 1,6 mm (1/16 inch) from case for 10 seconds	260°C

† Stresses beyond those listed under “absolute maximum ratings” may cause permanent damage to the device. These are stress ratings only, and functional operation of the device at these or any other conditions beyond those indicated under “recommended operating conditions” is not implied. Exposure to absolute-maximum-rated conditions for extended periods may affect device reliability.

- NOTES: 1. All voltages, except differential I/O bus voltages, are with respect to the network ground terminal.  
 2. Tested in accordance with JEDEC Standard 22, Test method A114-B.  
 3. Tested in accordance with JEDEC Standard 22, Test method C101.

**DISSIPATION RATING TABLE**

PACKAGE	T <sub>A</sub> ≤ 25°C POWER RATING	DERATING FACTOR‡ ABOVE T <sub>A</sub> = 25°C	T <sub>A</sub> = 85°C POWER RATING
PW	1207 mW	9.6 mW/°C	628 mW

‡ This is the inverse of the junction-to-ambient thermal resistance when board-mounted and with no air flow.

# SN65LVDS150

## MuxIt™ PLL FREQUENCY MULTIPLIER

SLLS443 – DECEMBER 2000

### recommended operating conditions

		MIN	NOM	MAX	UNIT
Supply voltage, $V_{CC}$		3	3.3	3.6	V
High-level input voltage, $V_{IH}$	EN, BSEL, LCRO_EN, M1 – M5	2			V
Low-level input voltage, $V_{IL}$		0.8			V
Magnitude of differential input voltage, $ V_{ID} $	CRI	0.1	0.6		V
Common-mode input voltage, $V_{IC}$	CRI	$\frac{ V_{ID} }{2}$	$2.4 - \frac{ V_{ID} }{2}$		V
		$V_{CC} - 0.8$			
Operating free-air temperature, $T_A$		-40	85		°C

### timing requirements

		MIN	TYP	MAX	UNIT
Input clock cycle time, $t_{c(1)}$		20		200	ns
High-level input clock pulse width duration, $t_{w(1)}$		$0.4 t_{c(1)}$		$0.6 t_{c(1)}$	
Input clock frequency, CRI, $f_{(clock)}$		5		50	MHz



**electrical characteristics over recommended operating conditions (unless otherwise noted)**

PARAMETER		TEST CONDITIONS	MIN	TYP†	MAX	UNIT
V <sub>IT+</sub>	Positive-going differential input threshold voltage	See Figure 1 and Table 1			100	mV
V <sub>IT-</sub>	Negative-going differential input threshold voltage		-100			mV
V <sub>OD(SS)</sub>	Steady-state differential output voltage magnitude	R <sub>L</sub> = 100 Ω, See Figure 3	247	340	454	mV
ΔV <sub>OD(SS)</sub>	Change in steady-state differential output voltage magnitude between logic states	V <sub>ID</sub> = ±100 mV, See Figures 2 and 3	-50		50	mV
V <sub>OC(SS)</sub>	Steady-state common-mode output voltage	See Figure 4	1.125		1.375	V
ΔV <sub>OC(SS)</sub>	Change in steady-state common-mode output voltage between logic states		-50		50	mV
V <sub>OC(PP)</sub>	Peak-to-peak change common-mode output voltage			50	150	mV
V <sub>OH</sub>	High-level output voltage (LVO)	I <sub>OH</sub> = -8 mA	2.4			V
V <sub>OL</sub>	Low-level output voltage (LVO)	I <sub>OL</sub> = 8 mA			0.4	V
V <sub>(T)</sub>	Threshold reference bias voltage	-100 μA ≤ I <sub>O</sub> ≤ 100 μA	$\frac{V_{CC}}{2} - 0.15$		$\frac{V_{CC}}{2} + 0.15$	V
I <sub>CC</sub>	Supply current	Enabled, R <sub>L</sub> = 100 Ω, CRI± open		25	70	mA
		Disabled		2.5	6	
I <sub>I</sub>	Input current (CRI inputs)	V <sub>I</sub> = 0	-20		-2	μA
		V <sub>I</sub> = 2.4 V	-1.2			
I <sub>(ID)</sub>	Differential input current (I <sub>IA</sub> - I <sub>IB</sub> ) (CRI inputs)	V <sub>IC</sub> = 0.05 V or 2.35 V, V <sub>ID</sub> = ±0.1 V	-2		2	μA
I <sub>I(OFF)</sub>	Power-off input current (CRI inputs)	V <sub>CC</sub> = 0 V, V <sub>I</sub> = 3.6 V			20	μA
I <sub>IH</sub>	High-level input current	M1-M5, EN			20	μA
		BSEL, LCRO_EN	V <sub>IH</sub> = 2 V		-10	
I <sub>IL</sub>	Low-level input current	M1-M5, EN			10	μA
		BSEL, LCRO_EN	V <sub>IL</sub> = 0.8 V		-20	
I <sub>OS</sub>	Short-circuit output current	MCO, LCRO	V <sub>O+</sub> or V <sub>O-</sub> = 0 V		10	mA
			V <sub>OD</sub> = 0 V		-10	
I <sub>OZ</sub>	High-impedance output current	MCO, LCRO	V <sub>O</sub> = 0 V or V <sub>CC</sub>		5	μA
I <sub>O(OFF)</sub>	Power-off output current		V <sub>CC</sub> = 1.5 V, V <sub>O</sub> = 3.6 V		5	μA
C <sub>I</sub>	Input capacitance (CRI inputs)		V <sub>ID</sub> = [(0.4sin(4E6πt)) = 0.5] V		3	pF

† All typical values are at T<sub>A</sub> = 25°C and with V<sub>CC</sub> = 3.3 V.

# SN65LVDS150

## MuxIt™ PLL FREQUENCY MULTIPLIER

SLLS443 – DECEMBER 2000

### switching characteristics over recommended operating conditions (unless otherwise noted)

PARAMETER		TEST CONDITIONS	MIN	TYP†	MAX	UNIT
MCO output clock period jitter‡	p-p	EN = 1, BSEL = 1, LCRO_EN = 1, M = 40, f <sub>I</sub> = 5 MHz	200			ps
	rms		20			
t <sub>(lock)</sub>	Lock (stabilization time)§		0.2	1	ms	
t <sub>w(2)</sub>	Multiplied clock output pulse width	R <sub>L</sub> = 100 Ω, C <sub>L</sub> = 10 pF, See Figure 5	0.4t <sub>c(2)</sub>			ns
t <sub>r</sub>	Differential output signal rise time (MCO, LCRO)		0.3	0.6	1.5	
t <sub>f</sub>	Differential output signal fall time (MCO, LCRO)		0.3	0.6	1.5	
t <sub>(OS)</sub>	CRI↑ to MCO↑ offset time	f <sub>I</sub> = 5 MHz, M = 4	-2.5	0	2.5	ns
		f <sub>I</sub> = 10 MHz, M = 10	-1.5	0	1.5	
		f <sub>I</sub> = 5 MHz, M = 40	-1.65	0	1.65	
t <sub>d</sub>	MCO↑ before LCRO↑, time delay	f <sub>I</sub> = 5 MHz, M = 4	0.5	2.5	6	ns
		f <sub>I</sub> = 10 MHz, M = 10	0.5	2.5	6	
		f <sub>I</sub> = 5 MHz, M = 40	0.5	2.5	4.5	
f <sub>max</sub>	Maximum MCO output frequency	BSEL = 1, M = 4, 6	200			MHz
		BSEL = 1, M ≠ 4, 6	400			
		BSEL = 0, M = 4, 6	50			
		BSEL = 0, M ≠ 4, 6	100			

† All typical values are at T<sub>A</sub> = 25°C and with V<sub>CC</sub> = 3.3 V.

‡ Output clock jitter is the change in the output clock period from one cycle to the next cycle observed over 10,000 cycles with a source having less than 10 psec jitter rms.

§ Lock time is measured from the application of the clock reference input signal to the assertion of a high-level lock/valid output.

### PARAMETER MEASUREMENT INFORMATION

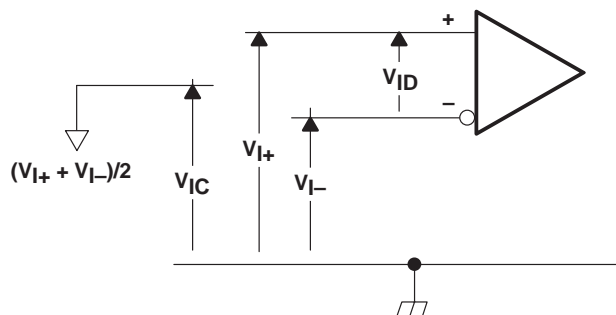


Figure 1. Receiver Input Voltage Definitions



PARAMETER MEASUREMENT INFORMATION

Table 1. Receiver Minimum and Maximum Input Threshold Test Voltages

APPLIED VOLTAGES		RESULTING DIFFERENTIAL INPUT VOLTAGE	RESULTING COMMON-MODE INPUT VOLTAGE
$V_{(IA)}$	$V_{(IB)}$	$V_{ID}$	$V_{IC}$
1.25 V	1.15 V	100 mV	1.2 V
1.15 V	1.25 V	-100 mV	1.2 V
2.4 V	2.3 V	100 mV	2.35 V
2.3 V	2.4 V	-100 mV	2.35 V
0.1 V	0 V	100 mV	0.05 V
0 V	0.1 V	-100 mV	0.05 V
1.5 V	0.9 V	600 mV	1.2 V
0.9 V	1.5 V	-600 mV	1.2 V
2.4 V	1.8 V	600 mV	2.1 V
1.8 V	2.4 V	-600 mV	2.1 V
0.6 V	0 V	600 mV	0.3 V
0 V	0.6 V	-600 mV	0.3 V

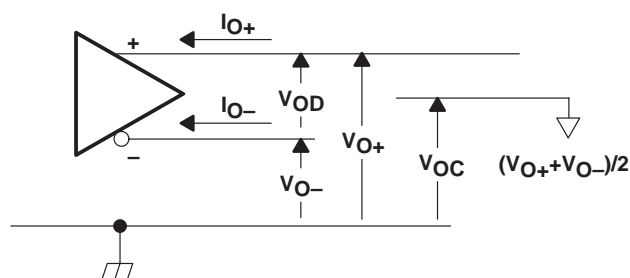


Figure 2. Driver Output Voltage and Current Definitions

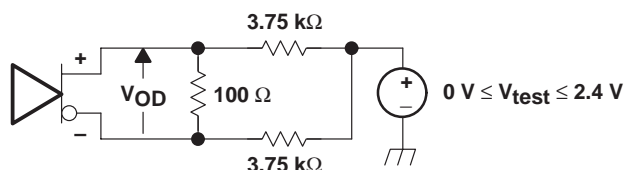
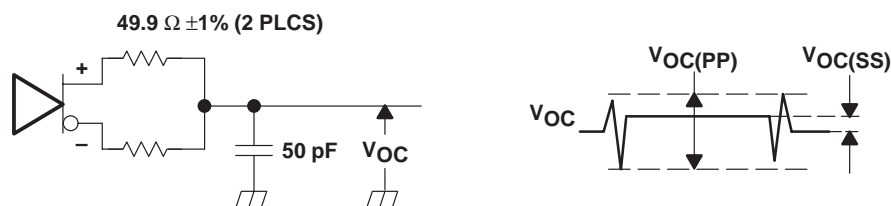


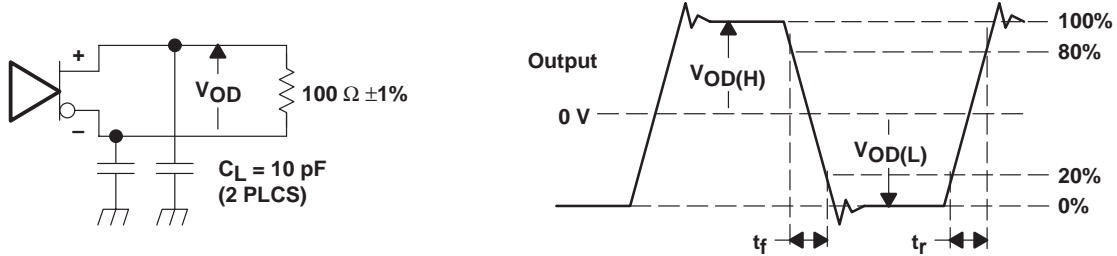
Figure 3.  $V_{OD}$  Test Circuit



NOTE A: All input pulses are supplied by a generator having the following characteristics:  $t_r$  or  $t_f \leq 1$  ns, pulse repetition rate (PRR) = 0.5 Mpps, Pulse width =  $500 \pm 10$  ns.  $C_L$  includes instrumentation and fixture capacitance within 0,06 m of the D.U.T. The measurement of  $V_{OC(PP)}$  is made on test equipment with a -3 dB bandwidth of at least 5 GHz.

Figure 4. Test Circuit and Definitions for the Driver Common-Mode Output Voltage

PARAMETER MEASUREMENT INFORMATION



NOTE A: All input pulses are supplied by a generator having the following characteristics:  $t_r$  or  $t_f \leq 1$  ns, pulse repetition rate (PRR) = 50 Mpps, Pulse width =  $10 \pm 0.2$  ns.  $C_L$  includes instrumentation and fixture capacitance within 0,06 m of the D.U.T.

Figure 5. Test Circuit, Timing, and Voltage Definitions for the Differential Output Signal

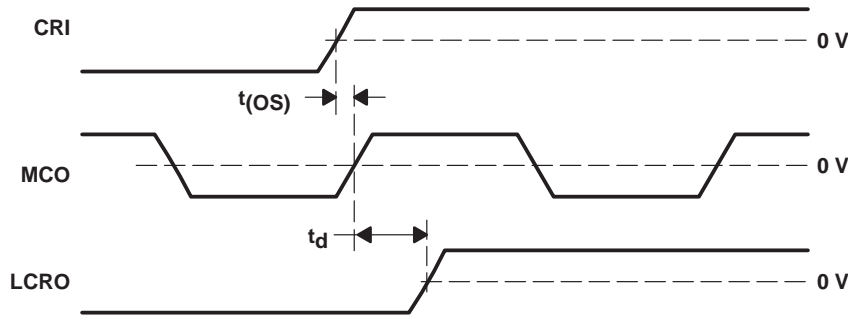


Figure 6. Output Timing Waveform Definitions

TYPICAL CHARACTERISTICS

SUPPLY CURRENT  
vs  
MCO FREQUENCY

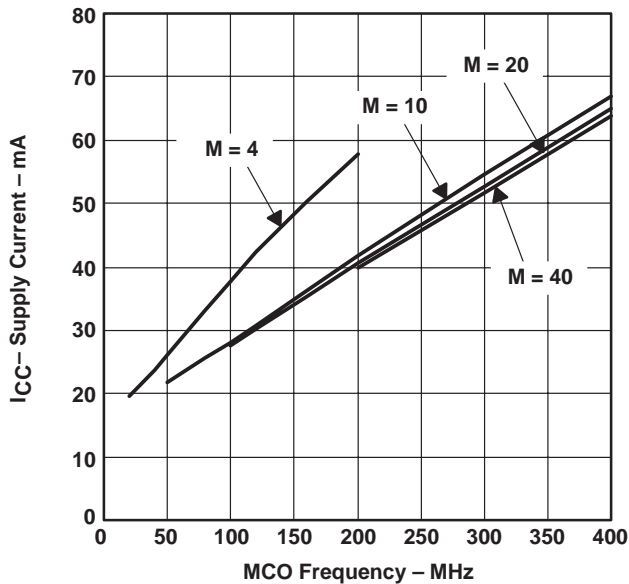


Figure 7

JITTER  
vs  
MCO FREQUENCY

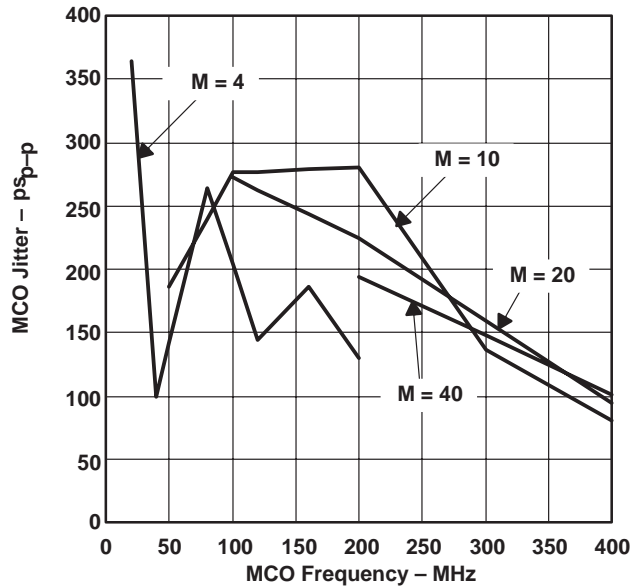


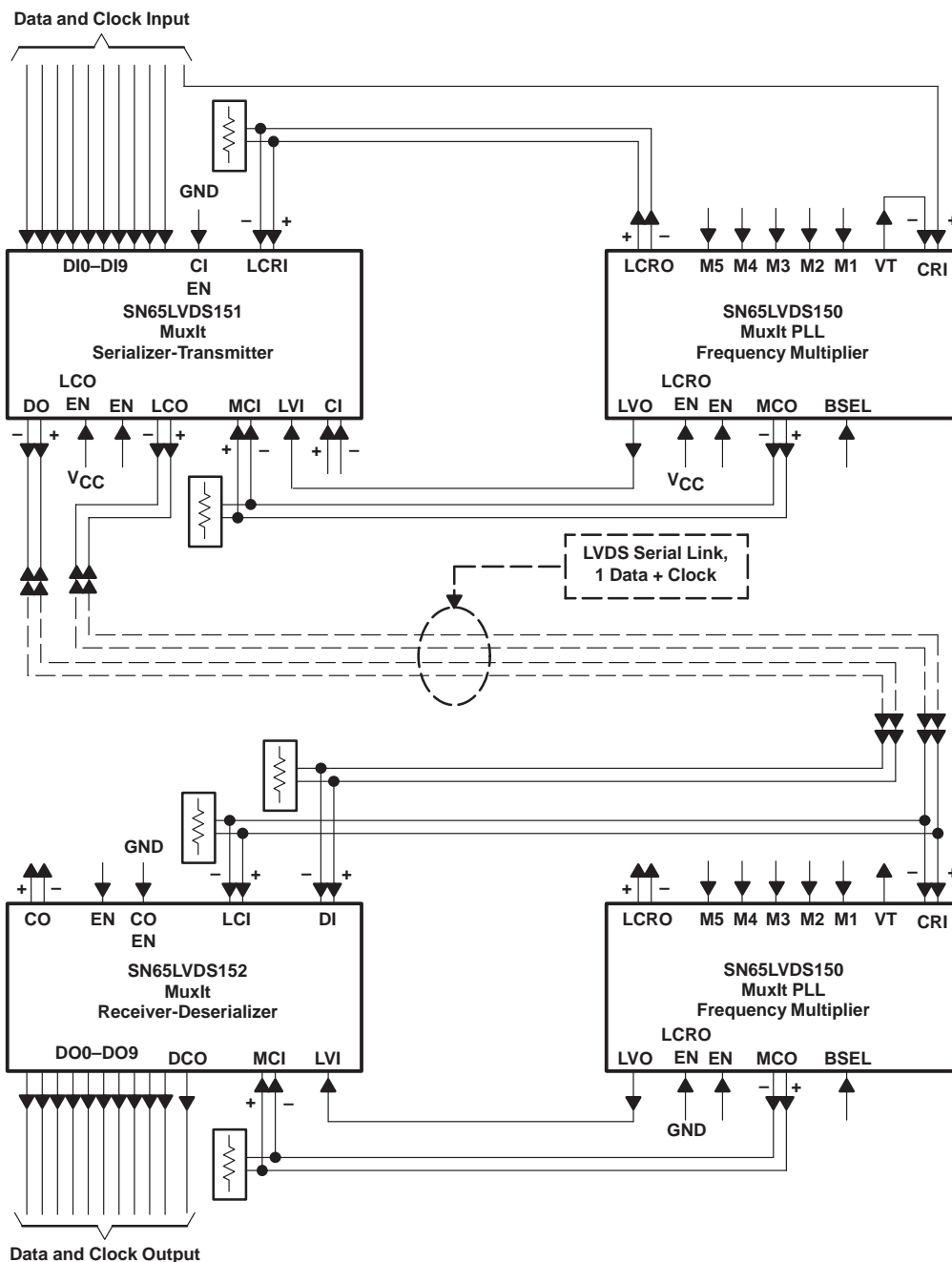
Figure 8

NOTE: M = Multiplying Value (see Page 3)

TYPICAL CHARACTERISTICS

basic applications examples

Parallel data path width between 4 and 10 bits, only one LVDS data link required.



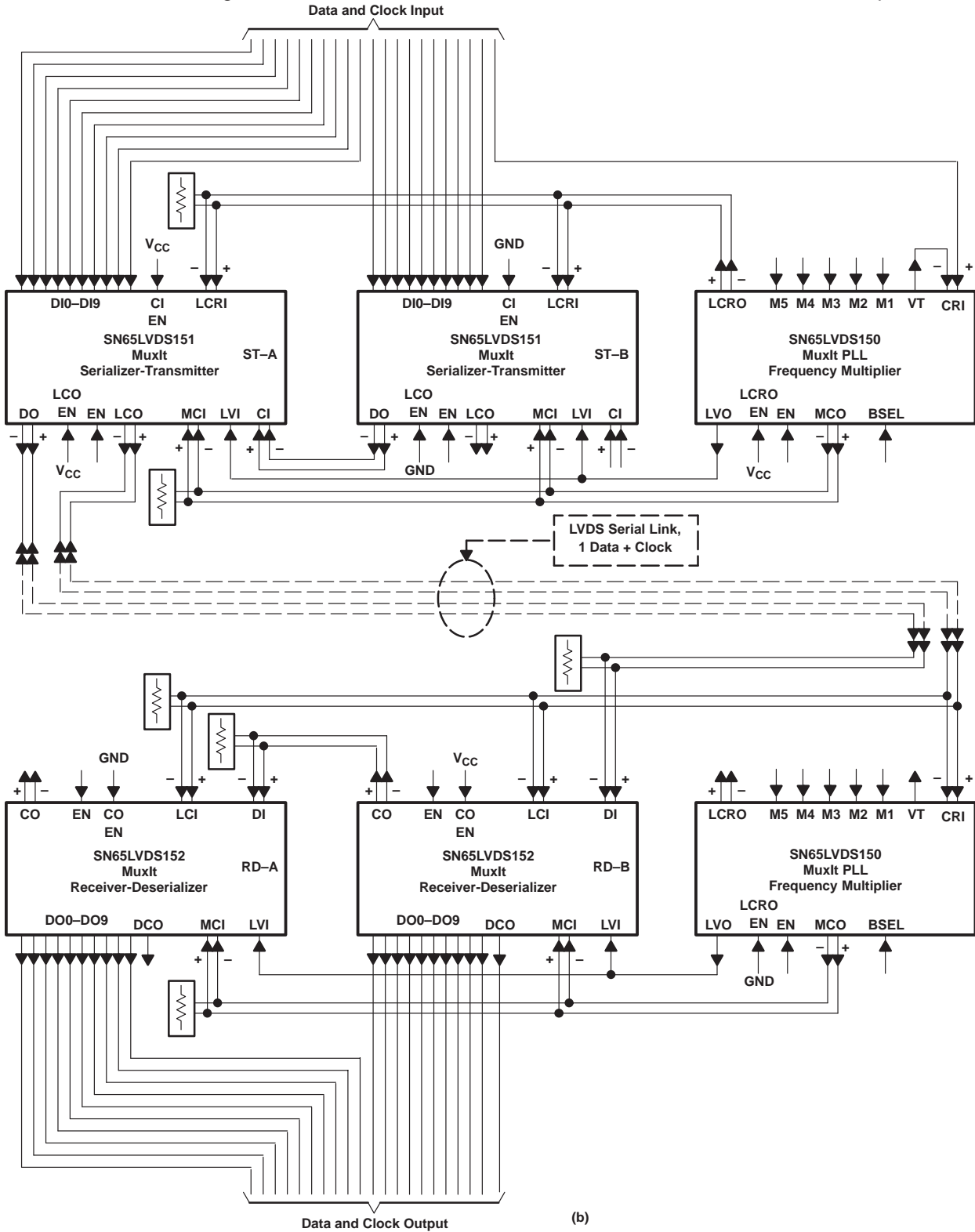
(a)

# SN65LVDS150 MuxIt™ PLL FREQUENCY MULTIPLIER

SLLS443 – DECEMBER 2000

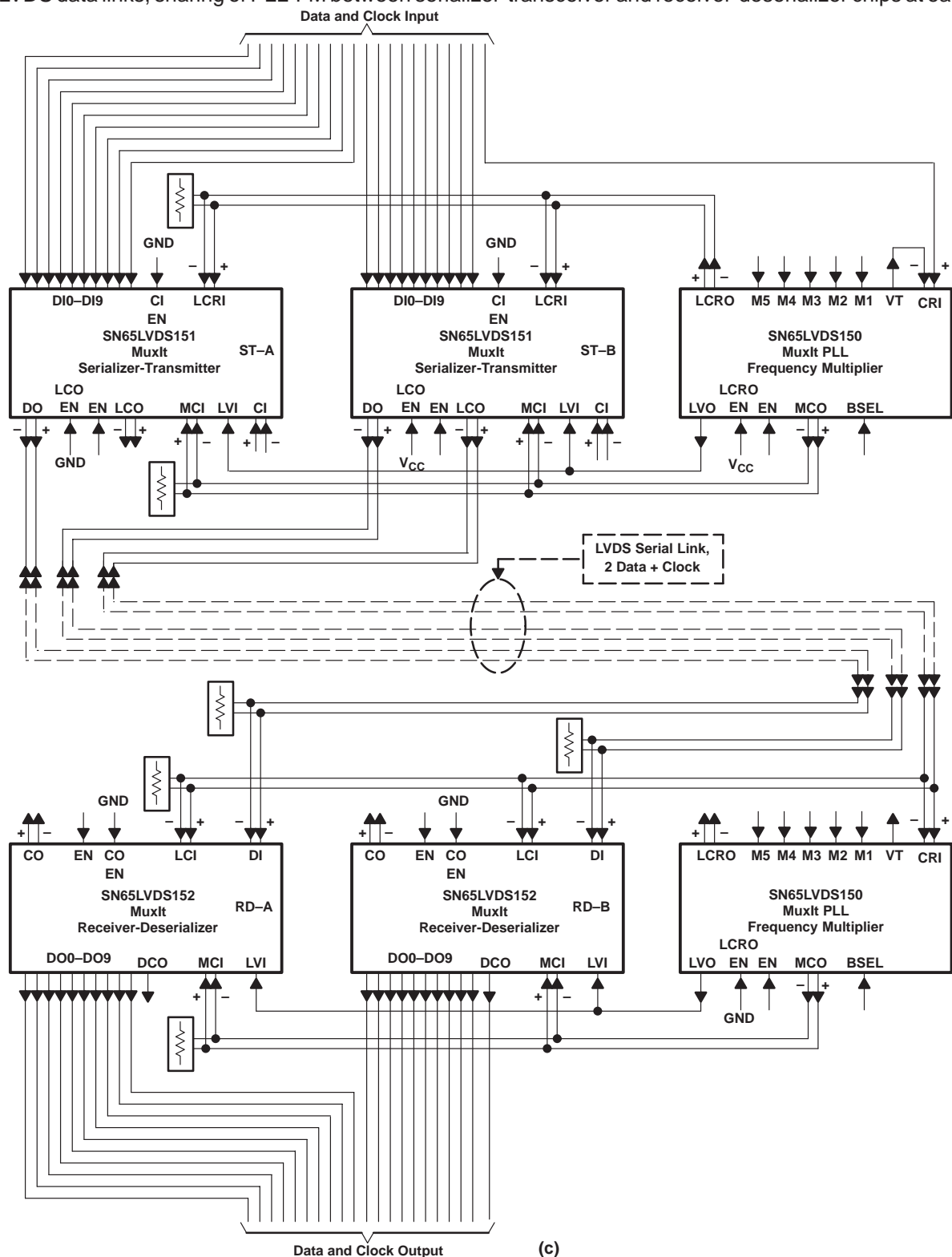
## TYPICAL CHARACTERISTICS

Parallel data path width between 11 and 20 bits, aggregate data rate low enough to allow transmission over one LVDS data link, sharing of PLL-FM between serializer-transmitter and receiver-deserializer chips at each end.



TYPICAL CHARACTERISTICS

Parallel data path width between 11 and 20 bits, aggregate data rate requires transmission over two separate LVDS data links, sharing of PLL-FM between serializer-transceiver and receiver-deserializer chips at each end.



(c)

# SN65LVDS150 MuxIt™ PLL FREQUENCY MULTIPLIER

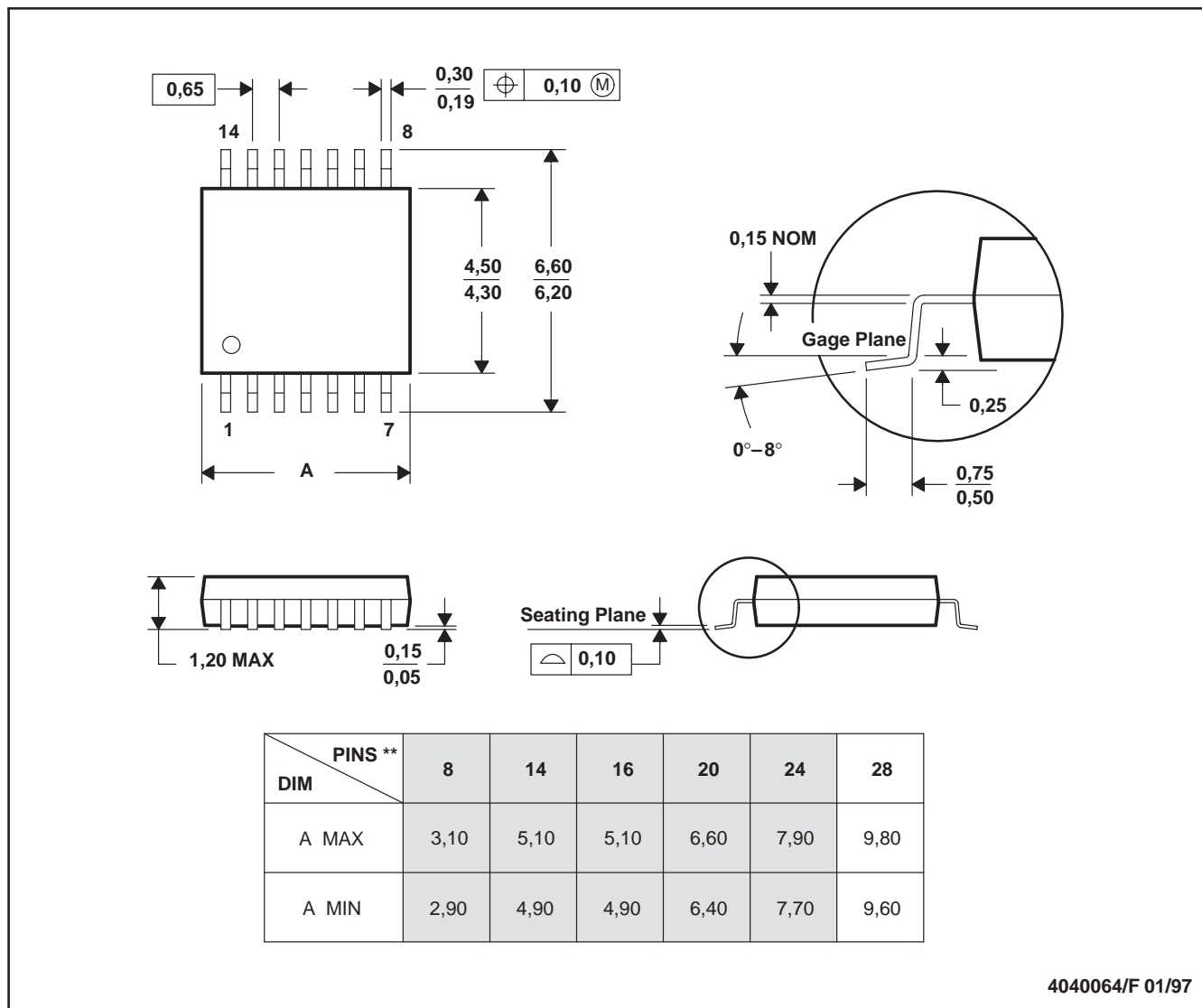
SLLS443 – DECEMBER 2000

## MECHANICAL INFORMATION

PW (R-PDSO-G\*\*)

PLASTIC SMALL-OUTLINE PACKAGE

14 PINS SHOWN



- NOTES: A. All linear dimensions are in millimeters.  
 B. This drawing is subject to change without notice.  
 C. Body dimensions do not include mold flash or protrusion not to exceed 0,15.  
 D. Falls within JEDEC MO-153

## **IMPORTANT NOTICE**

Texas Instruments and its subsidiaries (TI) reserve the right to make changes to their products or to discontinue any product or service without notice, and advise customers to obtain the latest version of relevant information to verify, before placing orders, that information being relied on is current and complete. All products are sold subject to the terms and conditions of sale supplied at the time of order acknowledgment, including those pertaining to warranty, patent infringement, and limitation of liability.

TI warrants performance of its semiconductor products to the specifications applicable at the time of sale in accordance with TI's standard warranty. Testing and other quality control techniques are utilized to the extent TI deems necessary to support this warranty. Specific testing of all parameters of each device is not necessarily performed, except those mandated by government requirements.

Customers are responsible for their applications using TI components.

In order to minimize risks associated with the customer's applications, adequate design and operating safeguards must be provided by the customer to minimize inherent or procedural hazards.

TI assumes no liability for applications assistance or customer product design. TI does not warrant or represent that any license, either express or implied, is granted under any patent right, copyright, mask work right, or other intellectual property right of TI covering or relating to any combination, machine, or process in which such semiconductor products or services might be or are used. TI's publication of information regarding any third party's products or services does not constitute TI's approval, warranty or endorsement thereof.