

VFC32

## Voltage-to-Frequency and Frequency-to-Voltage CONVERTER

### FEATURES

- OPERATION UP TO 500kHz
- EXCELLENT LINEARITY  
 $\pm 0.01\%$  max at 10kHz FS  
 $\pm 0.05\%$  max at 100kHz FS
- V/F OR F/V CONVERSION
- MONOTONIC
- VOLTAGE OR CURRENT INPUT

### APPLICATIONS

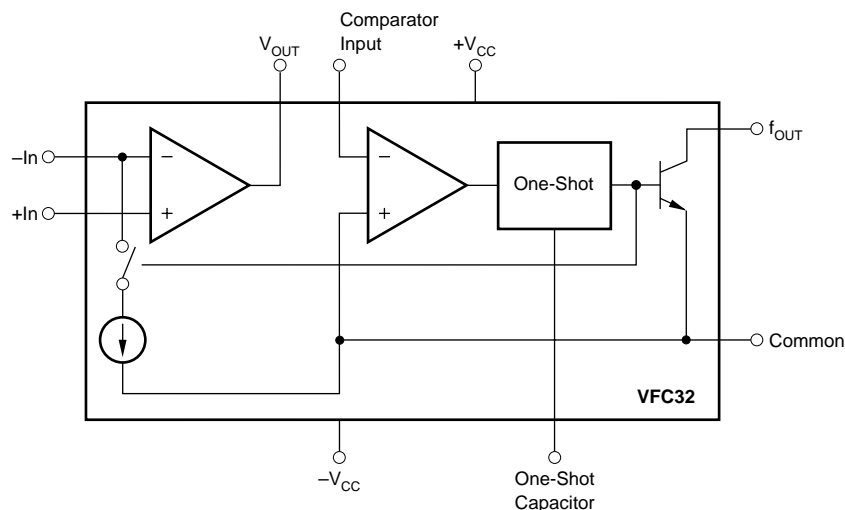
- INTEGRATING A/D CONVERTER
- SERIAL FREQUENCY OUTPUT
- ISOLATED DATA TRANSMISSION
- FM ANALOG SIGNAL MOD/DEMODO
- MOTOR SPEED CONTROL
- TACHOMETER

### DESCRIPTION

The VFC32 voltage-to-frequency converter provides an output frequency accurately proportional to its input voltage. The digital open-collector frequency output is compatible with all common logic families. Its integrating input characteristics give the VFC32 excellent noise immunity and low nonlinearity.

Full-scale output frequency is determined by an external capacitor and resistor and can be scaled over a wide range. The VFC32 can also be configured as a frequency-to-voltage converter.

The VFC32 is available in 14-pin plastic DIP, SO-14 surface-mount, and metal TO-100 packages. Commercial, industrial, and military temperature range models are available.



International Airport Industrial Park • Mailing Address: PO Box 11400 • Tucson, AZ 85734 • Street Address: 6730 S. Tucson Blvd. • Tucson, AZ 85706  
Tel: (602) 746-1111 • Twx: 910-952-1111 • Cable: BBRCORP • Telex: 066-6491 • FAX: (602) 889-1510 • Immediate Product Info: (800) 548-6132

# SPECIFICATIONS

At  $T_A = +25^\circ\text{C}$  and  $V_{CC} = \pm 15\text{V}$ , unless otherwise noted.

PARAMETER	CONDITIONS	VFC32KP, KU			VFC32BM			VFC32SM			UNITS
		MIN	TYP	MAX	MIN	TYP	MAX	MIN	TYP	MAX	
<b>INPUT (V/F CONVERTER)</b> $V_{OUT} = V_{IN}/7.5 R_1 C_1$											
Voltage Range <sup>(1)</sup> Positive Input		>0		+0.25mA $\times R_1$	*		*	*		*	V
Negative Input		>0		-10	*		*	*		*	V
Current Range <sup>(1)</sup> Bias Current		>0		+0.25	*		*	*		*	mA
Inverting Input			20	100		*	*	*	*	*	nA
Noninverting Input			100	250		*	*	*	*	*	nA
Offset Voltage <sup>(2)</sup>			1	4		*	*	*	*	*	mV
Differential Impedance		300    10	650    10		*	*		*	*		k $\Omega$    pF
Common-mode Impedance		300    3	500    3		*	*		*	*		M $\Omega$    pF
<b>INPUT (F/V CONVERTER)</b> $V_{OUT} = 7.5 R_1 C_1 F_{IN}$											
Impedance		50    10	150    10		*	*		*	*		k $\Omega$    pF
Logic "1"			+1.0		*		*	*		*	V
Logic "0"			-0.05		*		*	*		*	V
Pulse-width Range		0.1		150k/F <sub>MAX</sub>	*		*	*		*	$\mu\text{s}$
<b>ACCURACY</b>											
Linearity Error <sup>(3)</sup>	0.01Hz $\leq$ Oper Freq $\leq$ 10kHz		$\pm 0.005$	$\pm 0.010$ <sup>(4)</sup>		*	*		*	*	% of FSR <sup>(5)</sup>
	0.1Hz $\leq$ Oper Freq $\leq$ 100kHz		$\pm 0.025$	$\pm 0.05$		*	*		*	*	% of FSR
	0.5Hz $\leq$ Oper Freq $\leq$ 500kHz		$\pm 0.05$			*	*		*	*	% of FSR
Offset Error Input Offset Voltage <sup>(2)</sup>			1	4		*	*		*	*	mV
Offset Drift <sup>(6)</sup>			$\pm 3$			*	*		*	*	ppm of FSR/ $^\circ\text{C}$
Gain Error <sup>(2)</sup>			5			*	*		*	*	% of FSR
Gain Drift <sup>(6)</sup>	f = 10kHz		$\pm 75$			$\pm 50$	$\pm 100$		$\pm 70$	$\pm 150$	ppm/ $^\circ\text{C}$
Full Scale Drift (offset drift and gain drift) <sup>(6, 7)</sup>	f = 10kHz		$\pm 75$			$\pm 50$	$\pm 100$		$\pm 70$	$\pm 150$	ppm of FSR/ $^\circ\text{C}$
Power Supply Sensitivity	f = DC, $\pm V_{CC} = 12\text{VDC}$ to 18VDC			$\pm 0.015$			*			*	% of FSR/%
<b>OUTPUT (V/F CONVERTER) (open collector output)</b>											
Voltage, Logic "0"	$I_{SINK} = 8\text{mA}$	0	0.2	0.4	*	*	*	*	*	*	V
Leakage Current, Logic "1"	$V_O = 15\text{V}$		0.01	1.0		*	*		*	*	$\mu\text{A}$
Voltage, Logic "1"	External Pull-up Resistor Required (see Figure 4)			$V_{PU}$		*	*		*	*	V
Pulse Width	For Best Linearity		0.25/F <sub>MAX</sub>			*	*		*	*	s
Fall Time	$I_{OUT} = 5\text{mA}$ , $C_{LOAD} = 500\text{pF}$			400			*		*	*	ns
<b>OUTPUT (F/V CONVERTER)</b> $V_{OUT}$											
Voltage	$I_O \leq 7\text{mA}$	0 to +10			*			*		*	V
Current	$V_O \leq 7\text{VDC}$	+10			*			*		*	mA
Impedance	Closed Loop			1			*			*	$\Omega$
Capacitive Load	Without Oscillation			100			*			*	pF
<b>DYNAMIC RESPONSE</b>											
Full Scale Frequency				500 <sup>(8)</sup>	*			*		*	kHz
Dynamic Range		6			*			*		*	decades
Settling Time	(V/F) to Specified Linearity for a Full Scale Input Step		<sup>(9)</sup>			*			*	*	
Overload Recovery	< 50% Overload		<sup>(9)</sup>			*			*	*	
<b>POWER SUPPLY</b>											
Rated Voltage			$\pm 15$								V
Voltage Range		$\pm 11$		$\pm 20$					*	*	V
Quiescent Current			$\pm 5.5$	$\pm 6.0$		*	*		*	*	mA
<b>TEMPERATURE RANGE</b>											
Specification		0		+70	-25		+85	-55		+125	$^\circ\text{C}$
Operating		-25		+85	-55		+125	-55		+125	$^\circ\text{C}$
Storage		-25		+85	-65		+150	-65		+150	$^\circ\text{C}$

\* Specification the same as VFC32KP.

NOTES: (1) A 25% duty cycle (0.25mA input current) is recommended for best linearity. (2) Adjustable to zero. See Offset and Gain Adjustment section. (3) Linearity error is specified at any operating frequency from the straight line intersecting 90% of full scale frequency and 0.1% of full scale frequency. See Discussion of Specifications section. Above 200kHz, it is recommended all grades be operated below +85 $^\circ\text{C}$ . (4)  $\pm 0.015\%$  of FSR for negative inputs shown in Figure 5. Positive inputs are shown in Figure 1. (5) FSR = Full Scale Range (corresponds to full scale frequency and full scale input voltage). (6) Exclusive of external components' drift. (7) Positive drift is defined to be increasing frequency with increasing temperature. (8) For operations above 200kHz up to 500kHz, see Discussion of Specifications and Installation and Operation sections. (9) One pulse of new frequency plus 1 $\mu\text{s}$ .

## ABSOLUTE MAXIMUM RATINGS

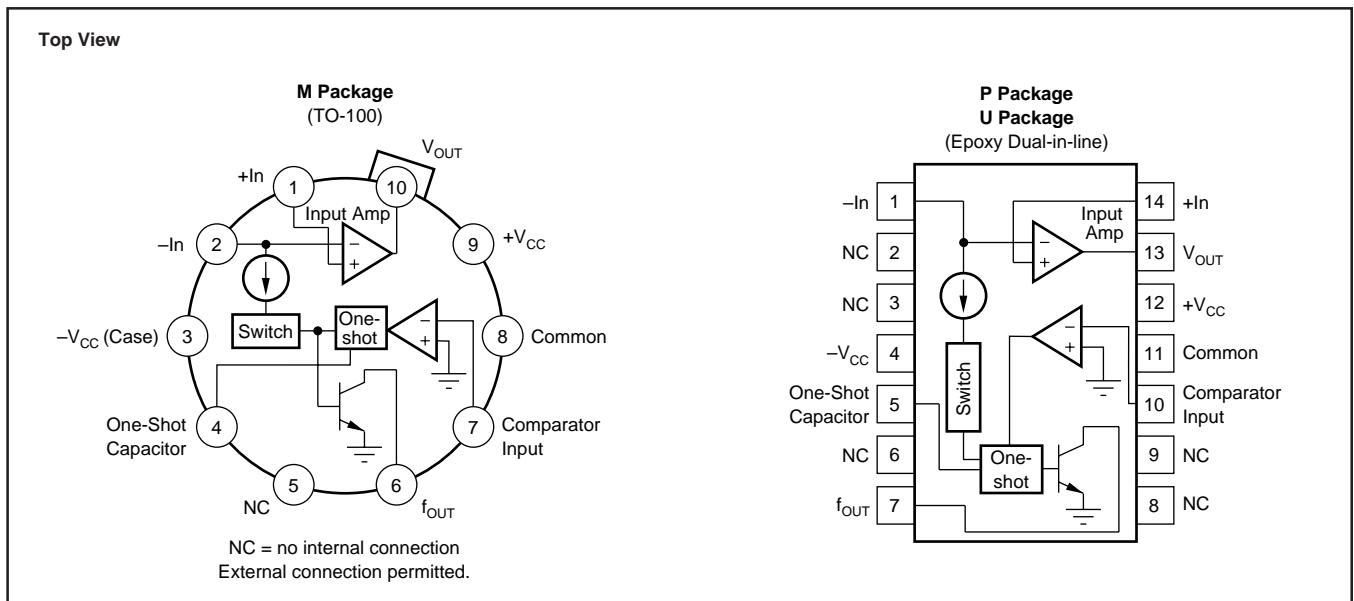
Supply Voltage .....	±22V
Output Sink Current ( $F_{OUT}$ ) .....	50mA
Output Current ( $V_{OUT}$ ) .....	+20mA
Input Voltage, -Input .....	±Supply
Input Voltage, +Input .....	±Supply
Comparator Input .....	±Supply
Storage Temperature Range:	
VFC32BM, SM .....	-65°C to +150°C
VFC32KP, KU .....	-25°C to +85°C

## PACKAGE/ORDERING INFORMATION

PRODUCT	PACKAGE	PACKAGE DRAWING NUMBER <sup>(1)</sup>	TEMPERATURE RANGE
VFC32KP	14-Pin Plastic DIP	010	0°C to 70°C
VFC32BM	TO-100 Metal	007	-25°C to +85°C
VFC32SM	TO-100 Metal	007	-55°C to +125°C
VFC32KU	SO-14 SOIC	235	0°C to +70°C

NOTE: (1) For detailed drawing and dimension table, please see end of data sheet, or Appendix C of Burr-Brown IC Data Book.

## PIN CONFIGURATIONS



## ELECTROSTATIC DISCHARGE SENSITIVITY

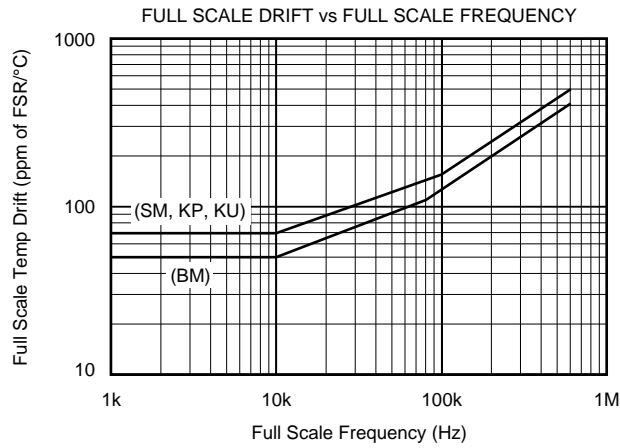
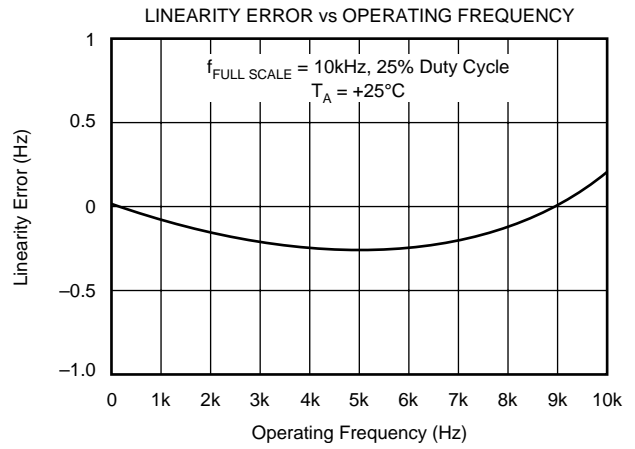
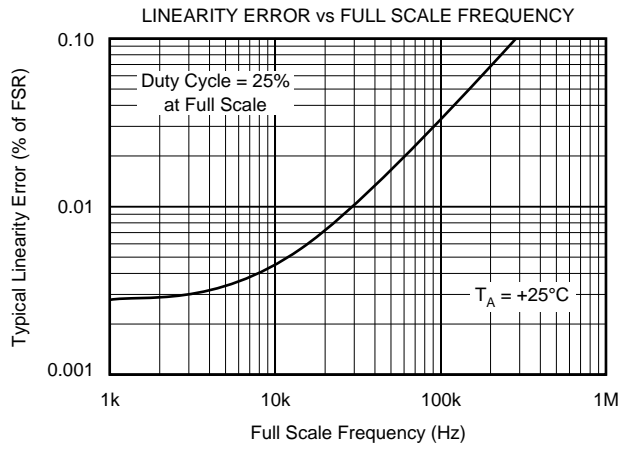
This integrated circuit can be damaged by ESD. Burr-Brown recommends that all integrated circuits be handled with appropriate precautions. Failure to observe proper handling and installation procedures can cause damage.

ESD damage can range from subtle performance degradation to complete device failure. Precision integrated circuits may be more susceptible to damage because very small parametric changes could cause the device not to meet its published specifications.

The information provided herein is believed to be reliable; however, BURR-BROWN assumes no responsibility for inaccuracies or omissions. BURR-BROWN assumes no responsibility for the use of this information, and all use of such information shall be entirely at the user's own risk. Prices and specifications are subject to change without notice. No patent rights or licenses to any of the circuits described herein are implied or granted to any third party. BURR-BROWN does not authorize or warrant any BURR-BROWN product for use in life support devices and/or systems.

# TYPICAL PERFORMANCE CURVES

At  $T_A = +25^\circ\text{C}$  and  $V_{CC} = \pm 15\text{V}$ , unless otherwise noted.



## APPLICATION INFORMATION

Figure 1 shows the basic connection diagram for frequency-to-voltage conversion.  $R_1$  sets the input voltage range. For a 10V full-scale input, a 40k $\Omega$  input resistor is recommended. Other input voltage ranges can be achieved by changing the value of  $R_1$ .

$$R_1 = \frac{V_{FS}}{0.25\text{mA}} \quad (1)$$

$R_1$  should be a metal film type for good stability. Manufacturing tolerances can produce approximately  $\pm 10\%$  variation in output frequency. Full-scale output frequency can be trimmed by adjusting the value of  $R_1$ —see Figure 3.

The full-scale output frequency is determined by  $C_1$ . Values shown in Figure 1 are for a full-scale output frequency of 10kHz. Values for other full-scale frequencies can be read from Figure 2. Any variation in  $C_1$ —tolerance, temperature drift, aging—directly affect the output frequency. Ceramic NPO or silver-mica types are a good choice.

For full-scale frequencies above 200kHz, use larger capacitor values as indicated in Figure 2, with  $R_1 = 20\text{k}\Omega$ .

The value of the integrating capacitor,  $C_2$ , does not directly influence the output frequency, but its value must be chosen within certain bounds. Values chosen from Figure 2 produce

approximately 2.5Vp-p integrator voltage waveform. If  $C_2$ 's value is made too low, the integrator output voltage can exceed its linear output swing, resulting in a nonlinear response. Using  $C_2$  values larger than shown in Figure 2 is acceptable.

Accuracy or temperature stability of  $C_2$  is not critical because its value does not directly affect the output frequency. For best linearity, however,  $C_2$  should have low leakage and low dielectric absorption. Polycarbonate and other film capacitors are generally excellent. Many ceramic types are adequate, but some low-voltage ceramic capacitor types may degrade nonlinearity. Electrolytic types are not recommended.

### FREQUENCY OUTPUT PIN

The frequency output terminal is an open-collector logic output. A pull-up resistor is usually connected to a 5V logic supply to create standard logic-level pulses. It can, however, be connected to any power supply up to  $+V_{CC}$ . Output pulses have a constant duration and positive-going during the one-shot period. Current flowing in the open-collector output transistor returns through the Common terminal. This terminal should be connected to logic ground.

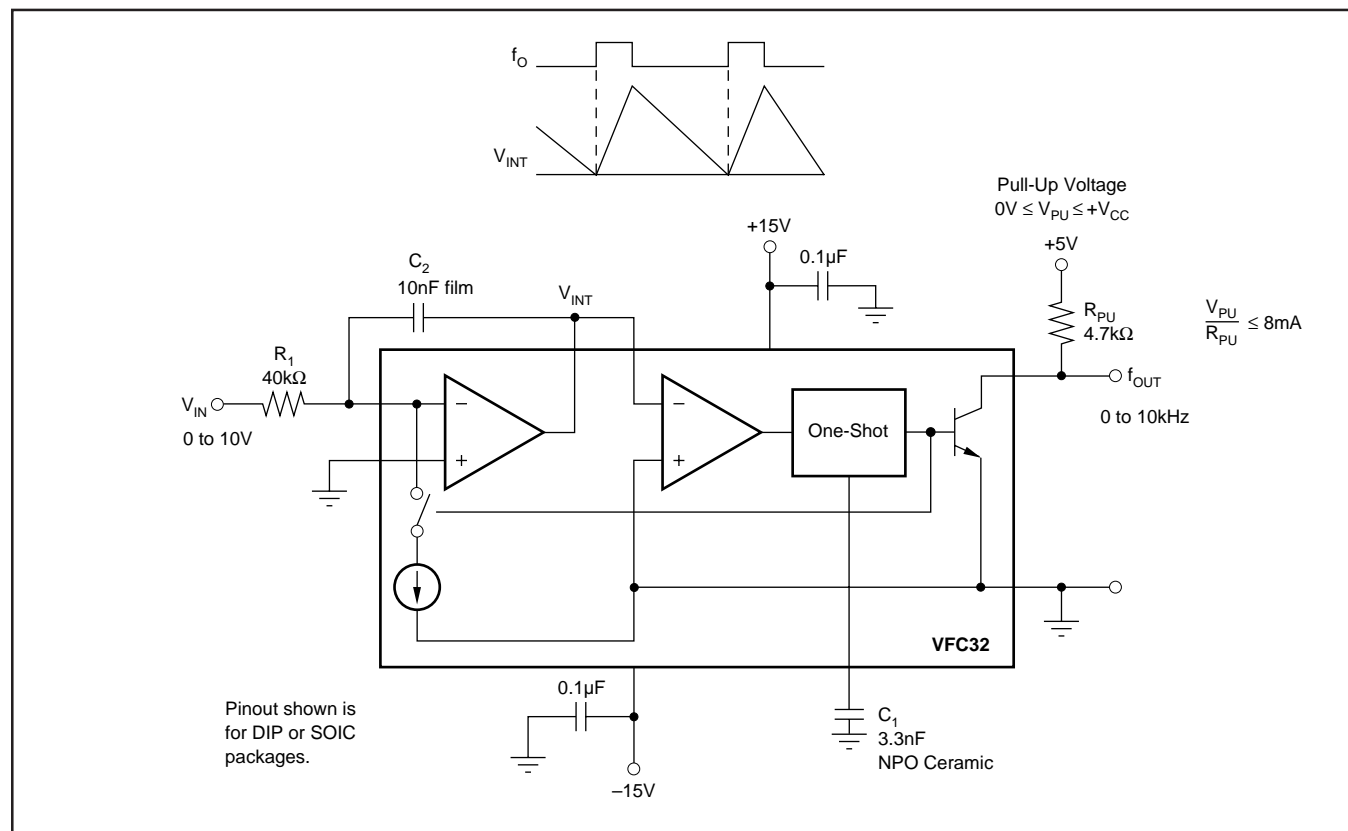


FIGURE 1. Voltage-to-Frequency Converter Circuit.

## FREQUENCY-TO-VOLTAGE CONVERSION

Figure 4 shows the VFC32 connected as a frequency-to-voltage converter. The capacitive-coupled input network  $C_3$ ,  $R_6$  and  $R_7$  allow standard 5V logic levels to trigger the comparator input. The comparator triggers the one-shot on the falling edge of the frequency input pulses. Threshold voltage of the comparator is approximately  $-0.7V$ . For frequency input waveforms less than 5V logic levels, the  $R_6/R_7$  voltage divider can be adjusted to a lower voltage to assure that the comparator is triggered.

The value of  $C_1$  is chosen from Figure 2 according to the full-scale input frequency.  $C_2$  smooths the output voltage waveform. Larger values of  $C_2$  reduce the ripple in the output voltage. Smaller values of  $C_2$  allow the output voltage to settle faster in response to a change in input frequency. Resistor  $R_1$  can be trimmed to achieve the desired output voltage at the full-scale input frequency.

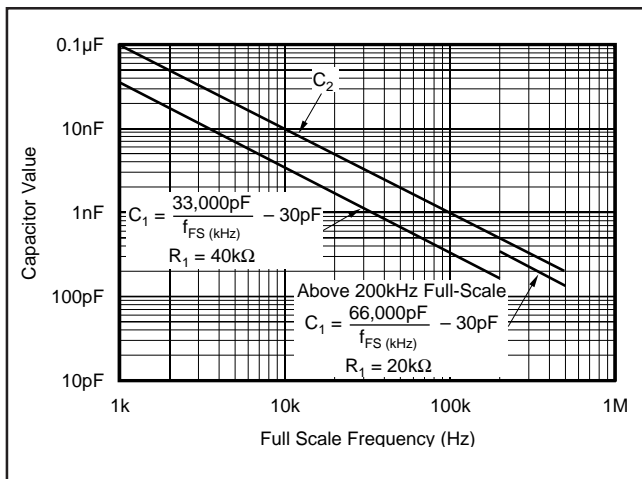


FIGURE 2. Capacitor Value Selection.

## PRINCIPLES OF OPERATION

The VFC32 operates on a principle of charge balance. The signal input current is equal to  $V_{IN}/R_1$ . This current is integrated by input op amp and  $C_2$ , producing a downward ramping integrator output voltage. When the integrator output ramps to the threshold of the comparator, the one-shot is triggered. The 1mA reference current is switched to the integrator input during the one-shot period, causing the integrator output ramp upward. After the one-shot period, the integrator again ramps downward.

The oscillation process forces a long-term balance of charge (or average current) between the input signal current and the reference current. The equation for charge balance is:

$$I_{IN} = I_{R(AVERAGE)} \quad (2)$$

$$\frac{V_{IN}}{R_1} = f_O t_{OS} (1mA) \quad (3)$$

Where:

$f_O$  is the output frequency

$t_{OS}$  is the one-shot period, equal to

$$t_{OS} = 7500 C_1 (\text{Farads}) \quad (4)$$

The values suggested for  $R_1$  and  $C_1$  are chosen to produce a 25% duty cycle at full-scale frequency output. For full-scale frequencies above 200kHz, the recommended values produce a 50% duty cycle.

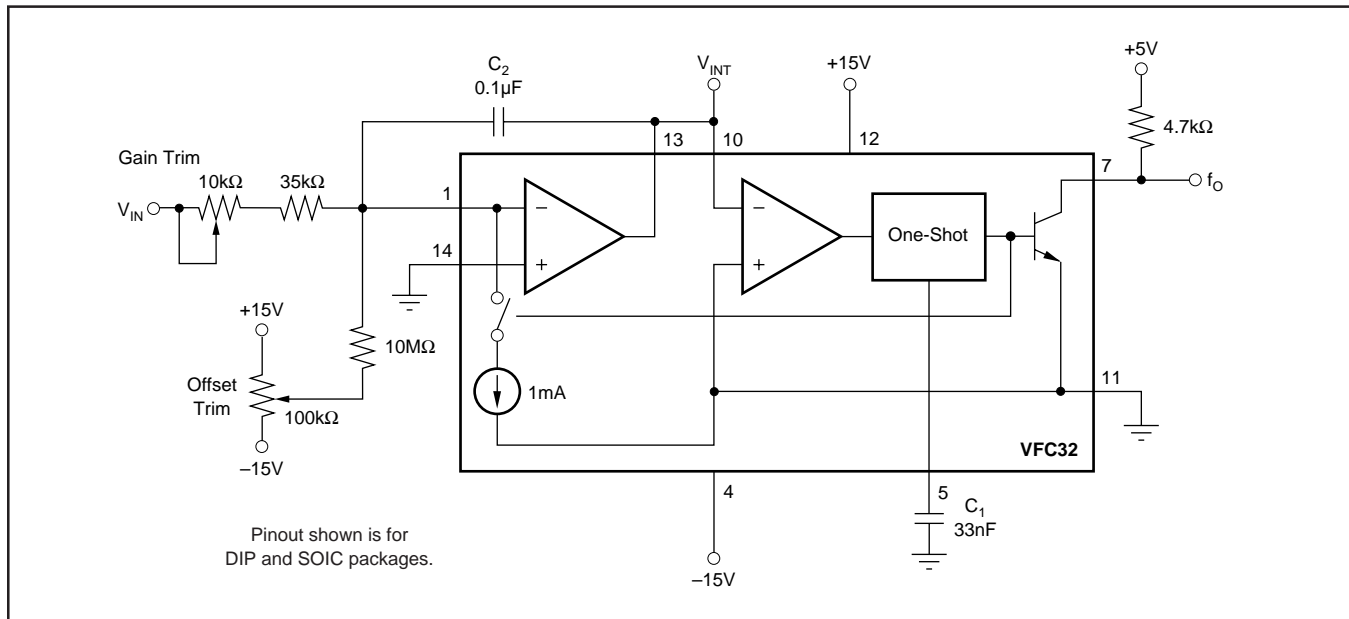


FIGURE 3. Gain and Offset Voltage Trim Circuit.

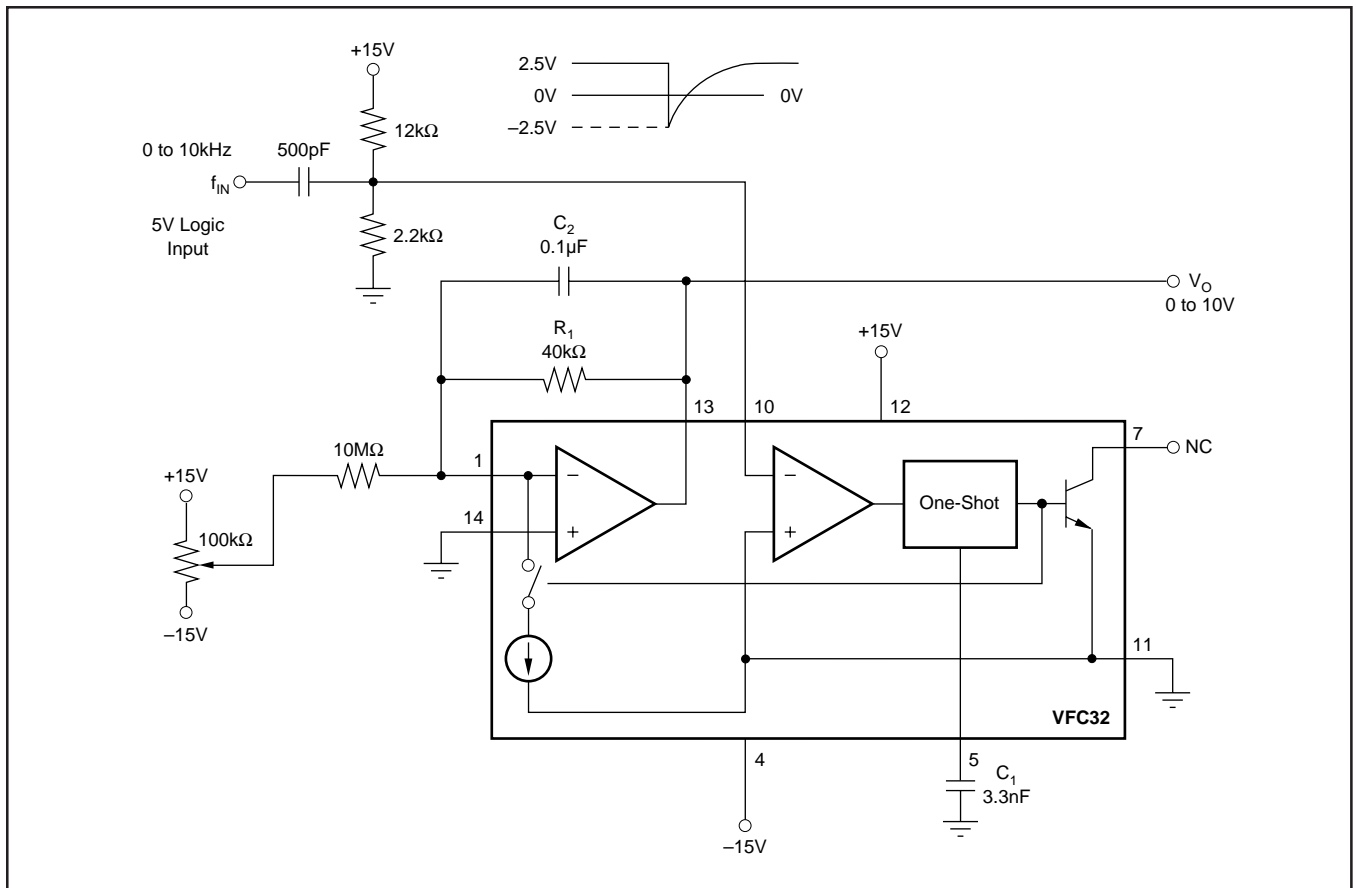


FIGURE 4. Frequency-to-Voltage Converter Circuit.

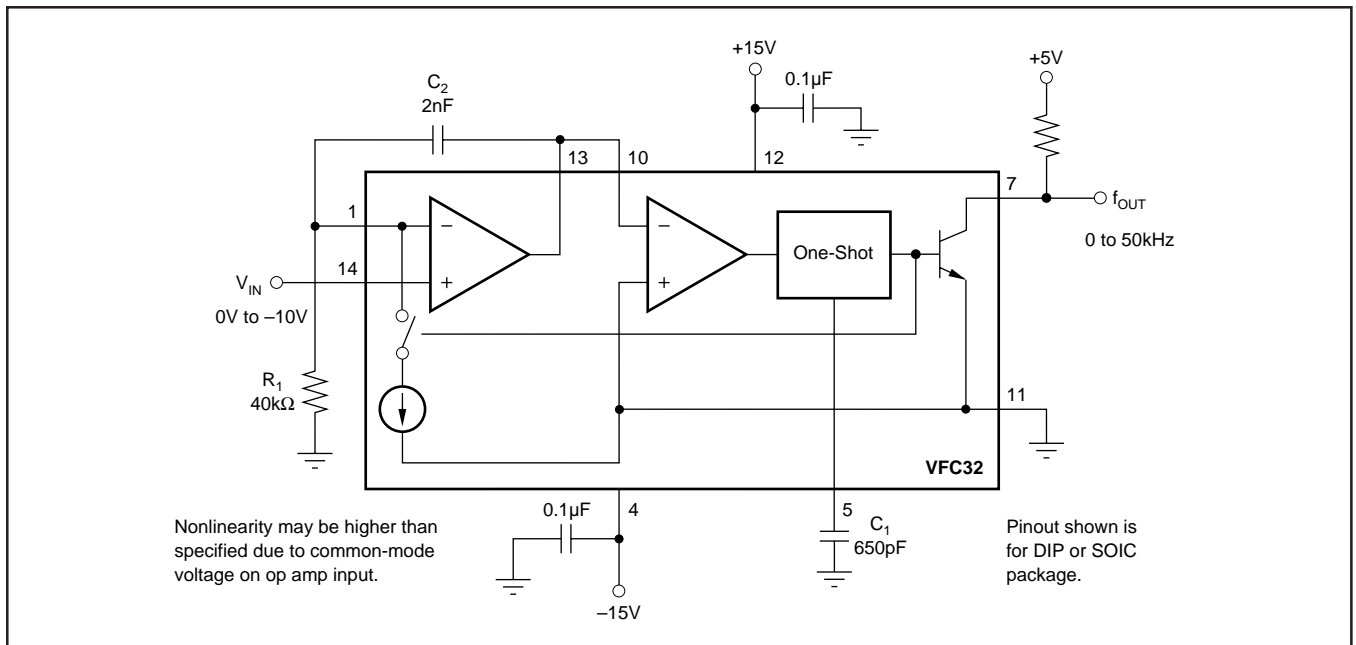


FIGURE 5. V/F Converter—Negative Input Voltage.

---

## PACKAGING INFORMATION

ORDERABLE DEVICE	STATUS(1)	PACKAGE TYPE	PACKAGE DRAWING	PINS	PACKAGE QTY
VFC32BM	OBSOLETE	TO/SOT	LME	10	
VFC32KP	ACTIVE	PDIP	N	14	25
VFC32KU	ACTIVE	SOIC	D	14	58
VFC32KU/2K5	ACTIVE	SOIC	D	14	2500

(1) The marketing status values are defined as follows:

**ACTIVE:** Product device recommended for new designs.

**LIFEBUY:** TI has announced that the device will be discontinued, and a lifetime-buy period is in effect.

**NRND:** Not recommended for new designs. Device is in production to support existing customers, but TI does not recommend using this part in a new design.

**PREVIEW:** Device has been announced but is not in production. Samples may or may not be available.

**OBSOLETE:** TI has discontinued the production of the device.

---



## IMPORTANT NOTICE

Texas Instruments Incorporated and its subsidiaries (TI) reserve the right to make corrections, modifications, enhancements, improvements, and other changes to its products and services at any time and to discontinue any product or service without notice. Customers should obtain the latest relevant information before placing orders and should verify that such information is current and complete. All products are sold subject to TI's terms and conditions of sale supplied at the time of order acknowledgment.

TI warrants performance of its hardware products to the specifications applicable at the time of sale in accordance with TI's standard warranty. Testing and other quality control techniques are used to the extent TI deems necessary to support this warranty. Except where mandated by government requirements, testing of all parameters of each product is not necessarily performed.

TI assumes no liability for applications assistance or customer product design. Customers are responsible for their products and applications using TI components. To minimize the risks associated with customer products and applications, customers should provide adequate design and operating safeguards.

TI does not warrant or represent that any license, either express or implied, is granted under any TI patent right, copyright, mask work right, or other TI intellectual property right relating to any combination, machine, or process in which TI products or services are used. Information published by TI regarding third-party products or services does not constitute a license from TI to use such products or services or a warranty or endorsement thereof. Use of such information may require a license from a third party under the patents or other intellectual property of the third party, or a license from TI under the patents or other intellectual property of TI.

Reproduction of information in TI data books or data sheets is permissible only if reproduction is without alteration and is accompanied by all associated warranties, conditions, limitations, and notices. Reproduction of this information with alteration is an unfair and deceptive business practice. TI is not responsible or liable for such altered documentation.

Resale of TI products or services with statements different from or beyond the parameters stated by TI for that product or service voids all express and any implied warranties for the associated TI product or service and is an unfair and deceptive business practice. TI is not responsible or liable for any such statements.

Following are URLs where you can obtain information on other Texas Instruments products and application solutions:

<b>Products</b>		<b>Applications</b>	
Amplifiers	<a href="http://amplifier.ti.com">amplifier.ti.com</a>	Audio	<a href="http://www.ti.com/audio">www.ti.com/audio</a>
Data Converters	<a href="http://dataconverter.ti.com">dataconverter.ti.com</a>	Automotive	<a href="http://www.ti.com/automotive">www.ti.com/automotive</a>
DSP	<a href="http://dsp.ti.com">dsp.ti.com</a>	Broadband	<a href="http://www.ti.com/broadband">www.ti.com/broadband</a>
Interface	<a href="http://interface.ti.com">interface.ti.com</a>	Digital Control	<a href="http://www.ti.com/digitalcontrol">www.ti.com/digitalcontrol</a>
Logic	<a href="http://logic.ti.com">logic.ti.com</a>	Military	<a href="http://www.ti.com/military">www.ti.com/military</a>
Power Mgmt	<a href="http://power.ti.com">power.ti.com</a>	Optical Networking	<a href="http://www.ti.com/opticalnetwork">www.ti.com/opticalnetwork</a>
Microcontrollers	<a href="http://microcontroller.ti.com">microcontroller.ti.com</a>	Security	<a href="http://www.ti.com/security">www.ti.com/security</a>
		Telephony	<a href="http://www.ti.com/telephony">www.ti.com/telephony</a>
		Video & Imaging	<a href="http://www.ti.com/video">www.ti.com/video</a>
		Wireless	<a href="http://www.ti.com/wireless">www.ti.com/wireless</a>

Mailing Address: Texas Instruments  
Post Office Box 655303 Dallas, Texas 75265

Copyright © 2003, Texas Instruments Incorporated