

## Dual Voltage Detector with Adjustable Hysteresis

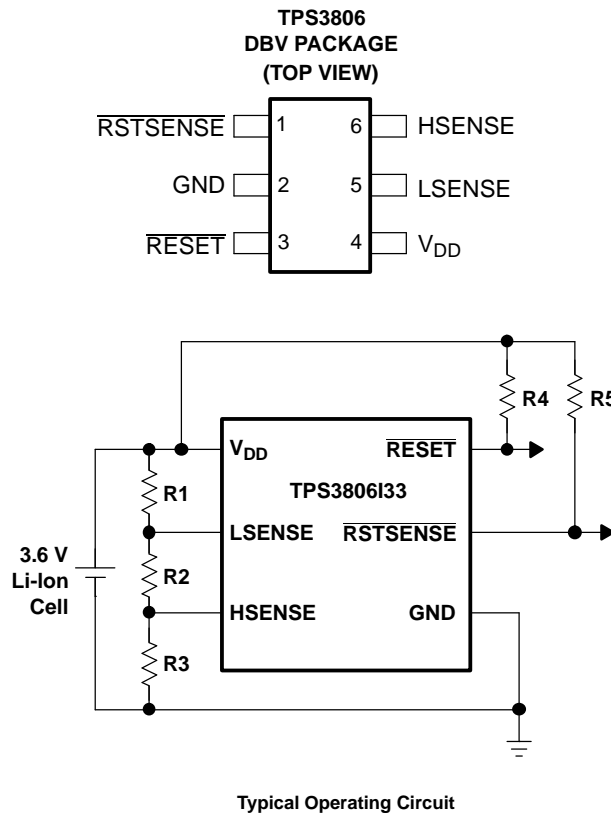
### FEATURES

- Dual Voltage Detector With Adjustable Hysteresis 3.3-V/Adjustable and 2-V/Adjustable
- Assured Reset at  $V_{DD} = 0.8\text{ V}$
- Supply Current:  $3\ \mu\text{A}$  Typical at  $V_{DD} = 3.3\text{ V}$
- Independent Open-Drain Reset Outputs
- Temperature Range:  $-40^{\circ}\text{C}$  to  $+85^{\circ}\text{C}$
- 6-Pin SOT-23 Package

### DESCRIPTION

The TPS3806 integrates two independent voltage detectors for battery voltage monitoring. During power-on,  $\overline{\text{RESET}}$  and  $\overline{\text{RSTSENSE}}$  are asserted when supply voltage  $V_{DD}$  or the voltage at LSENSE input become higher than 0.8 V. Thereafter, the supervisory circuit monitors  $V_{DD}$  and LSENSE, keeping  $\overline{\text{RESET}}$  and  $\overline{\text{RSTSENSE}}$  active as long as  $V_{DD}$  and LSENSE remain below the threshold voltage,  $V_{IT}$ . As soon as  $V_{DD}$  or LSENSE rise above the threshold voltage  $V_{IT}$ ,  $\overline{\text{RESET}}$  or  $\overline{\text{RSTSENSE}}$  is deasserted, respectively. The TPS3806 device has a fixed-sense threshold voltage  $V_{IT}$  set by an internal voltage divider at  $V_{DD}$  and an adjustable second-LSENSE input. In addition, an upper voltage threshold can be set at HSENSE to allow a wide adjustable hysteresis window.

The devices are available in a 6-pin SOT-23 package. The TPS3806 device is characterized for operation over a temperature range of  $-40^{\circ}\text{C}$  to  $+85^{\circ}\text{C}$ .



Please be aware that an important notice concerning availability, standard warranty, and use in critical applications of Texas Instruments semiconductor products and disclaimers thereto appears at the end of this data sheet.



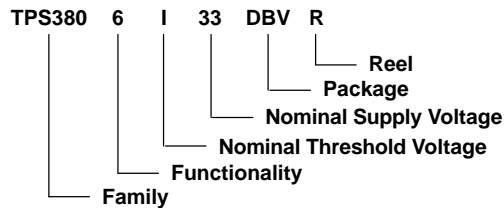
This integrated circuit can be damaged by ESD. Texas Instruments recommends that all integrated circuits be handled with appropriate precautions. Failure to observe proper handling and installation procedures can cause damage.

ESD damage can range from subtle performance degradation to complete device failure. Precision integrated circuits may be more susceptible to damage because very small parametric changes could cause the device not to meet its published specifications.

### ORDERING INFORMATION<sup>(1)</sup>

T <sub>A</sub>	DEVICE NAME		THRESHOLD VOLTAGE		MARKING
			V <sub>DD</sub>	SENSE	
-40°C to +85°C	TPS3806J20DBVR <sup>(2)</sup>	TPS3806J20DBVT <sup>(3)</sup>	1.8 V	1.207 V	PGQI
	TPS3806I33DBVR <sup>(2)</sup>	TPS3806I33DBVT <sup>(3)</sup>	3 V	1.207 V	PGPI

- (1) For the most current package and ordering information, see the Package Option Addendum located at the end of this data sheet or refer to our web site at [www.ti.com](http://www.ti.com).
- (2) The DBVR passive indicates tape and reel containing 3000 parts.
- (3) The DBVT passive indicates tape and reel containing 250 parts.



### ABSOLUTE MAXIMUM RATINGS

over operating free-air temperature range (unless otherwise noted)<sup>(1)</sup>

	TPS3806J20, TPS3806I33	UNIT
Supply voltage, V <sub>DD</sub> <sup>(2)</sup>	7	V
All other pins <sup>(2)</sup>	-0.3 to 7	V
Maximum low-output current, I <sub>OL</sub>	5	mA
Maximum high-output current, I <sub>OH</sub>	-5	mA
Input clamp current, I <sub>IK</sub> (V <sub>I</sub> < 0 or V <sub>I</sub> > V <sub>DD</sub> )	±10	mA
Output clamp current, I <sub>OK</sub> (V <sub>O</sub> < 0 or V <sub>O</sub> > V <sub>DD</sub> )	±10	mA
Continuous total power dissipation	See Dissipation Rating Table	
Operating free-air temperature range, T <sub>A</sub>	-40 to +85	°C
Storage temperature range, T <sub>stg</sub>	-65 to +150	°C
Soldering temperature	+260	°C

- (1) Stresses beyond those listed under absolute maximum ratings may cause permanent damage to the device. These are stress ratings only, and functional operation of the device at these or any other conditions beyond those indicated under recommended operating conditions is not implied. Exposure to absolute-maximum-rated conditions for extended periods may affect device reliability.
- (2) All voltage values are with respect to GND. For reliable operation, the device must not be continuously operated at 7 V for more than t = 1000 h.

### DISSIPATION RATING TABLE

PACKAGE	T <sub>A</sub> < 25°C	DERATING FACTOR ABOVE T <sub>A</sub> = 25°C	T <sub>A</sub> = 70°C POWER RATING	T <sub>A</sub> = 85°C POWER RATING
DBV	437 mW	3.5 mW/°C	280 mW	227 mW

## RECOMMENDED OPERATING CONDITIONS

	MIN	MAX	UNIT
Supply voltage, $V_{DD}$	1.3	6	V
Input voltage, $V_I$	0	$V_{DD} + 0.3$	V
Operating free-air temperature range, $T_A$	-40	+85	°C

## ELECTRICAL CHARACTERISTICS

over recommended operating free-air temperature range (unless otherwise noted)

PARAMETER		TEST CONDITIONS	MIN	TYP	MAX	UNIT		
$V_{OL}$	Low-level output voltage	$V_{DD} = 1.5\text{ V}$ , $I_{OL} = 1\text{ mA}$						
		$V_{DD} = 3.3\text{ V}$ , $I_{OL} = 2\text{ mA}$			0.3	V		
		$V_{DD} = 6\text{ V}$ , $I_{OL} = 3\text{ mA}$						
Power-up reset voltage <sup>(1)</sup>		$V_{DD} \geq 0.8\text{ V}$ , $I_{OL} = 50\text{ }\mu\text{A}$			0.2	V		
$V_{IT}$	Negative-going input threshold voltage <sup>(2)</sup>	LSENSE	$T_A = +25^\circ\text{C}$	1.198	1.207	1.216	V	
		TPS3806J20		1.787	1.8	1.813		
		TPS3806I33		2.978	3.0	3.022		
	LSENSE	$T_A = 0^\circ\text{C to } +70^\circ\text{C}$	TPS3806J20	1.188	1.207	1.226	V	
				TPS3806I33	1.772	1.8		1.828
				TPS3806I33	2.952	3.0		3.048
	LSENSE	$T_A = -40^\circ\text{C to } +85^\circ\text{C}$	TPS3806J20	1.183	1.207	1.231	V	
				TPS3806I33	1.764	1.8		1.836
				TPS3806I33	2.94	3.0		3.06
$V_{hys}$	Hysteresis	$1.2\text{ V} < V_{IT} < 2.5\text{ V}$		60		mV		
		$2.5\text{ V} < V_{IT} < 3.5\text{ V}$		90				
$I_I$	Input current	LSENSE, HSENSE	-25		25	nA		
$I_{OH}$	High-level output current	$V_{DD} = V_{IT} + 0.2\text{ V}$ , $V_{OH} = V_{DD}$			300	nA		
$I_{DD}$	Supply current	$V_{DD} = 3.3\text{ V}$ , Output unconnected		3	5	$\mu\text{A}$		
		$V_{DD} = 6\text{ V}$ , Output unconnected		4	6			
$C_i$	Input capacitance	$V_I = 0\text{ V to } V_{DD}$		1		pF		

(1) The lowest supply voltage at which RESET becomes active.  $t_{r,VDD} \geq 15\text{ }\mu\text{s/V}$

(2) To ensure best stability of the threshold voltage, place a bypass capacitor (ceramic, 0.1  $\mu\text{F}$ ) near the supply terminals.

## SWITCHING CHARACTERISTICS

at  $R_L = 1\text{ M}\Omega$ ,  $C_L = 50\text{ pF}$ ,  $T_A = -40^\circ\text{C to } +85^\circ\text{C}$

PARAMETER		TEST CONDITIONS	MIN	TYP	MAX	UNIT
$t_{PHL}$	Propagation (delay) time, high-to-low-level output	$V_{DD}$ to RESET delay	$V_{IH} = 1.05 \times V_{IT}$ , $V_{IL} = 0.95 \times V_{IT}$	5	100	$\mu\text{s}$
		LSENSE to $\overline{\text{RSTSENSE}}$ delay				
$t_{PLH}$	Propagation (delay) time, low-to-high-level output	$V_{DD}$ to RESET delay				
		HSENSE to $\overline{\text{RSTSENSE}}$ delay				

## TIMING REQUIREMENTS

at  $R_L = 1\text{ M}\Omega$ ,  $C_L = 50\text{ pF}$ ,  $T_A = -40^\circ\text{C to } +85^\circ\text{C}$

PARAMETER		TEST CONDITIONS	MIN	TYP	MAX	UNIT
$t_w$	Pulse width	At $V_{DD}$	$V_{IH} = 1.05 \times V_{IT}$ , $V_{IL} = 0.95 \times V_{IT}$	5.5		$\mu\text{s}$
		At SENSE				

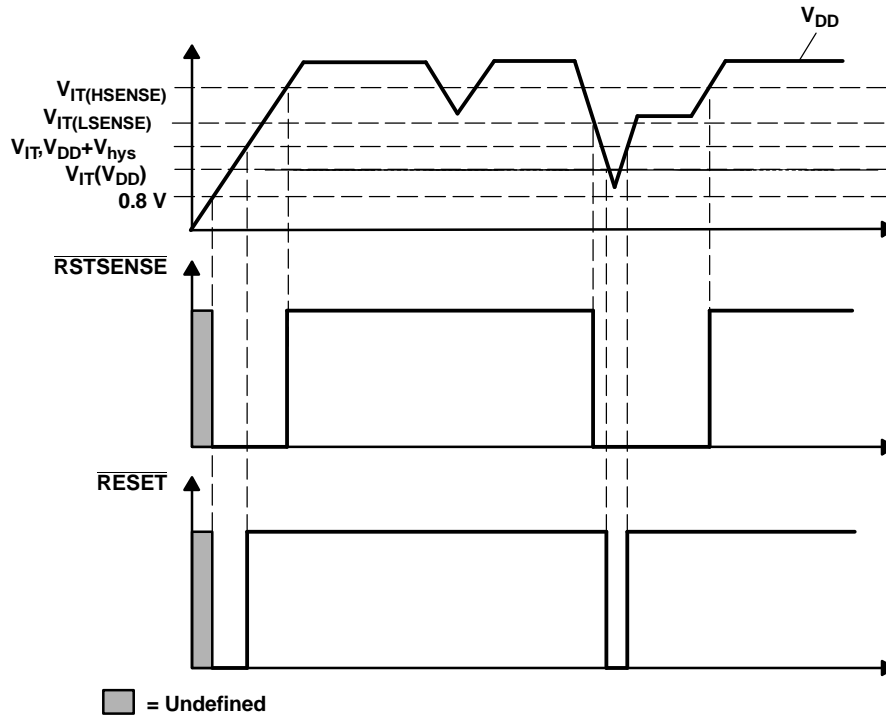


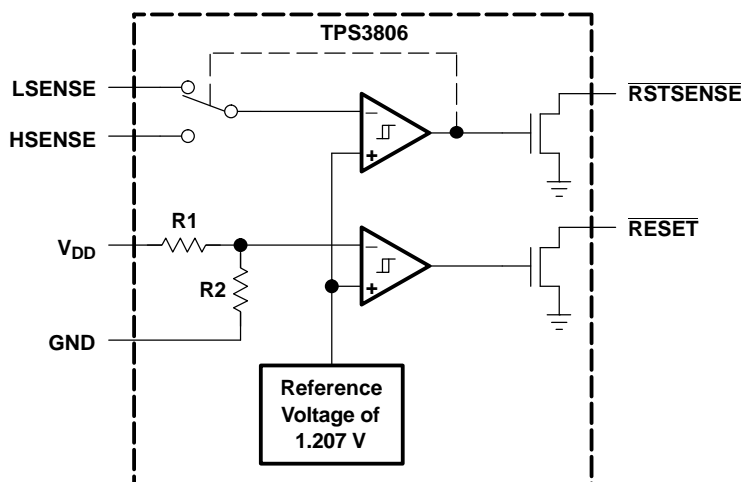
Table 1. TERMINAL FUNCTIONS

TERMINAL		I/O	DESCRIPTION
NAME	NO.		
GND	2	I	Ground
HSENSE	6	I	Adjustable hysteresis input
LSENSE	5	I	Adjustable sense input
$\overline{RESET}$	3	O	Active-low open drain reset output (from $V_{DD}$ )
$\overline{RSTSENSE}$	1	O	Active-low open-drain reset output (from LSENSE)
$V_{DD}$	4	I	Input supply voltage and fixed sense input

FUNCTION/TRUTH TABLE

TPS3806			
$V_{DD} > V_{IT}$	$\overline{RESET}$	LSENSE > $V_{IT}$	$\overline{RSTSENSE}$
0	L	0	L
1	H	1	H

### FUNCTIONAL BLOCK DIAGRAM



## Detailed Description

### Operation

The TPS3806 is used for monitoring battery voltage and asserting  $\overline{\text{RESET}}$  when a battery gets discharged below a certain threshold voltage. The battery voltage is monitored by a comparator via an external resistor divider. When the voltage at the LSENSE input drops below the internal reference voltage the  $\overline{\text{RSTSENSE}}$  output pulls low. The output remains low until the battery is replaced, or recharged above a second higher trip-point, set at HSENSE. A second voltage can be monitored at  $V_{\text{DD}}$ . The independent  $\overline{\text{RESET}}$  output pulls low when the voltage at  $V_{\text{DD}}$  drops below the fixed threshold voltage. Because the TPS3806 outputs are open-drain MOSFETs, most applications may require a pull-up resistor.

### Programming the Threshold Voltage Levels

The low-voltage threshold at LSENSE is calculated according to Equation 1:

$$V_{(\text{LSENSE})} = V_{\text{ref}} \left( \frac{R1 + R2 + R3}{R2 + R3} \right) \quad (1)$$

where  $V_{\text{ref}} = 1.207 \text{ V}$

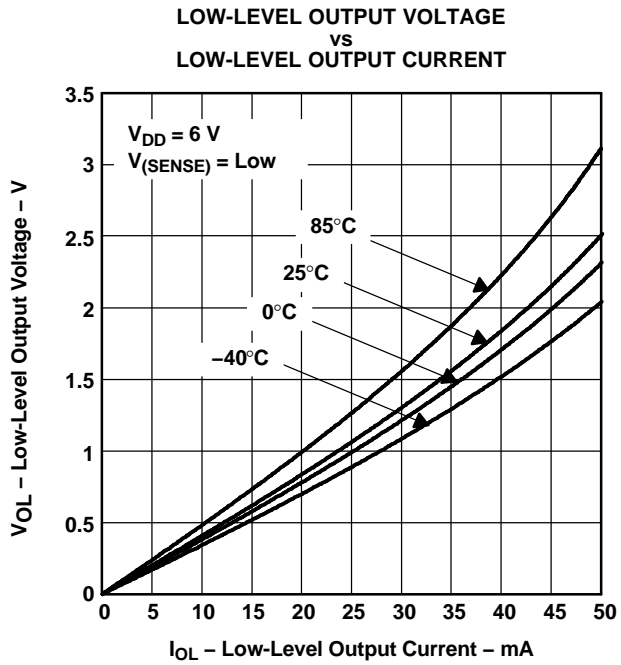
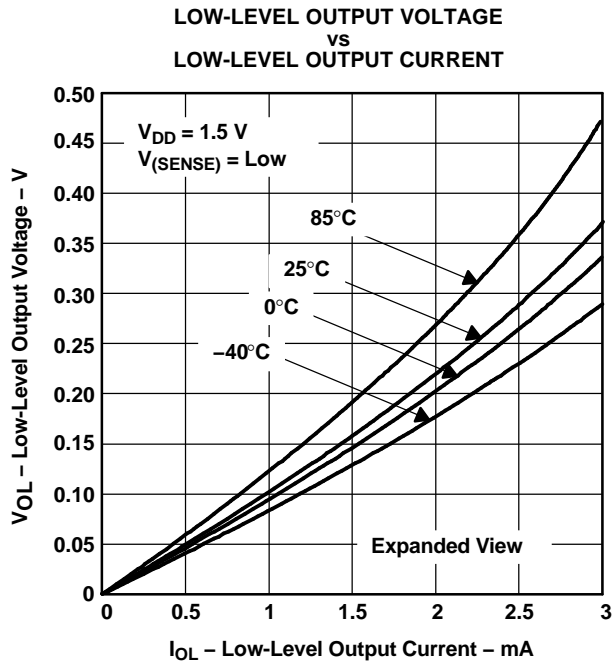
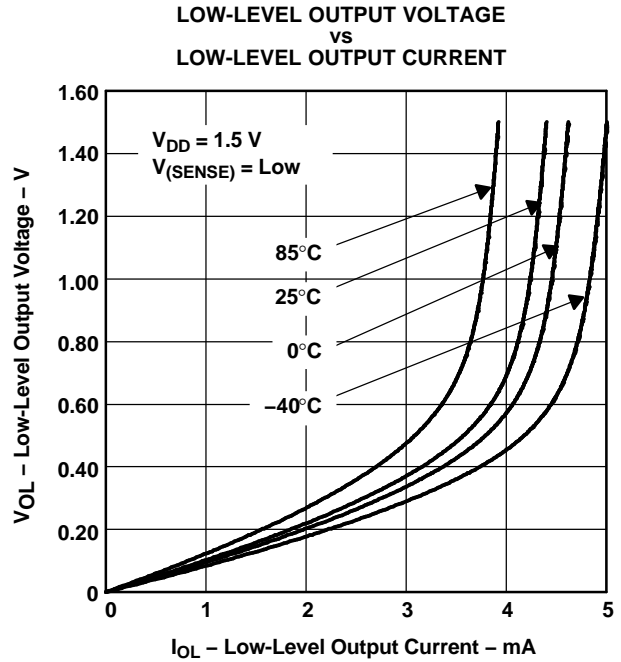
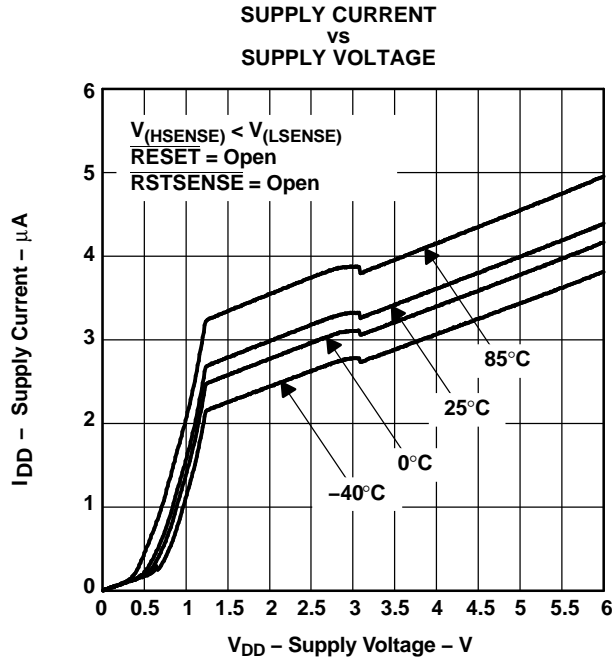
The high-voltage threshold at HSENSE is calculated as shown in Equation 2:

$$V_{(\text{HSENSE})} = V_{\text{ref}} \left( \frac{R1 + R2 + R3}{R3} \right) \quad (2)$$

where  $V_{\text{ref}} = 1.207 \text{ V}$

To minimize battery current draw it is recommended to use  $1\text{-M}\Omega$  as the total resistor value  $R_{(\text{tot})}$ , with  $R_{(\text{tot})} = R1 + R2 + R3$ .

TYPICAL CHARACTERISTICS



TYPICAL CHARACTERISTICS (continued)

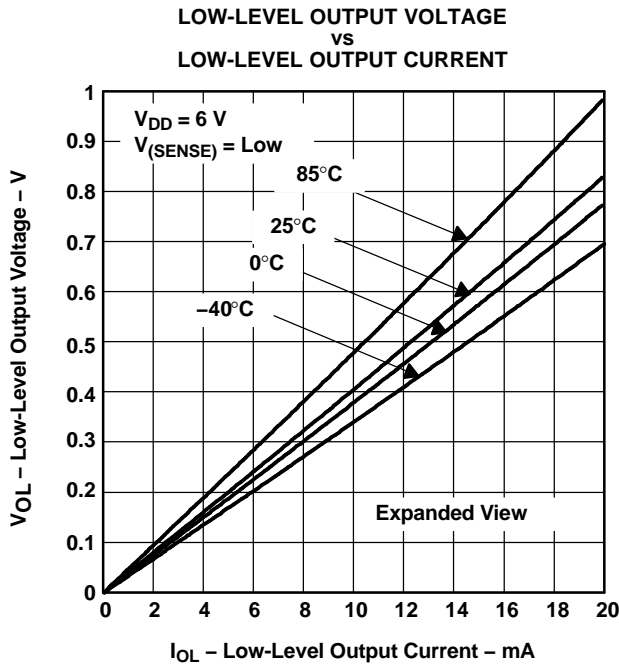


Figure 5.

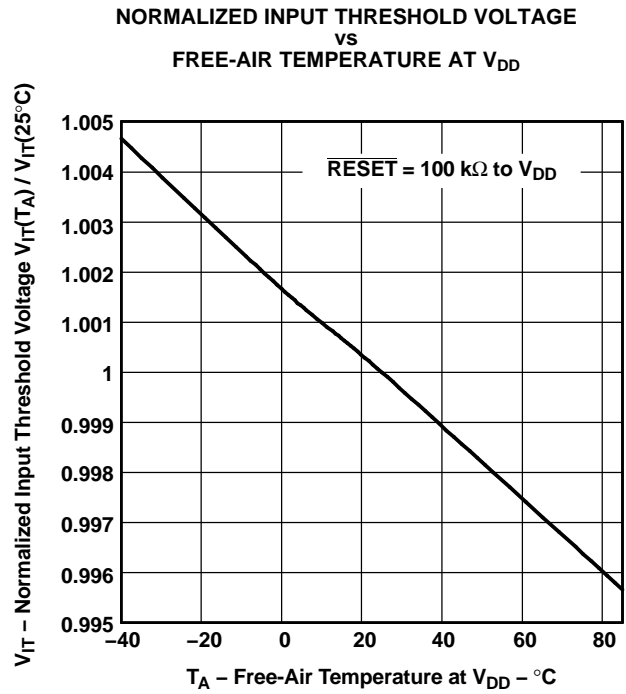


Figure 6.

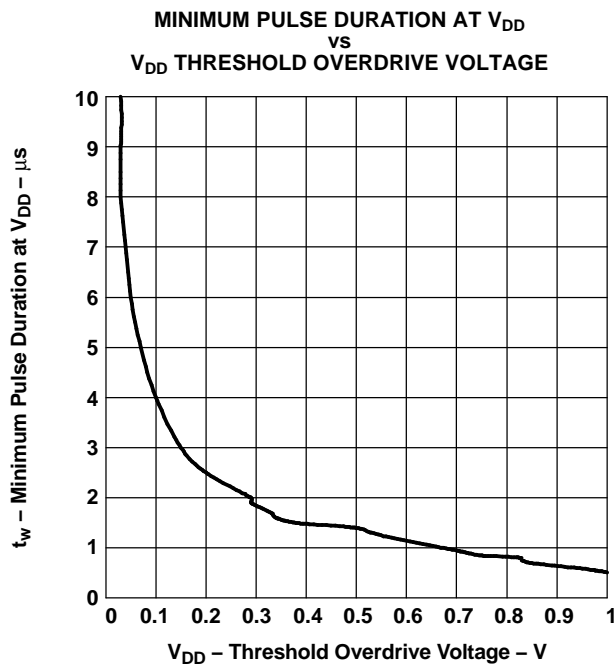


Figure 7.

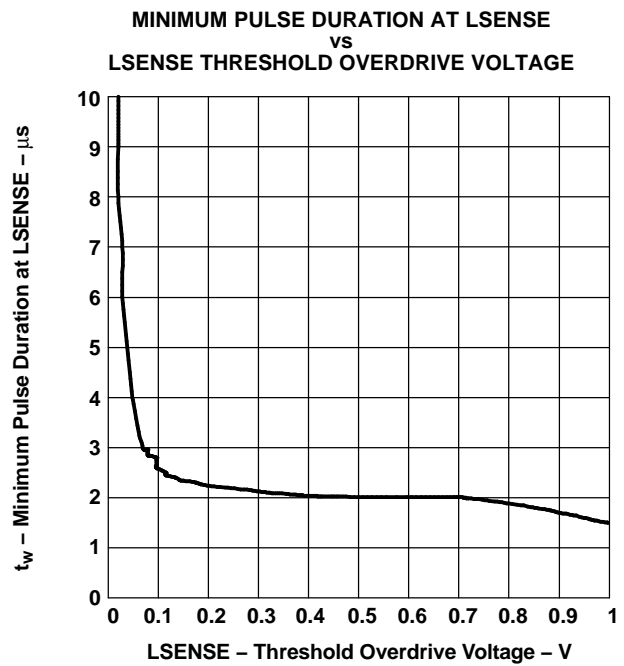


Figure 8.

**PACKAGING INFORMATION**

Orderable Device	Status <sup>(1)</sup>	Package Type	Package Drawing	Pins	Package Qty	Eco Plan <sup>(2)</sup>	Lead/Ball Finish	MSL Peak Temp <sup>(3)</sup>
TPS3806I33DBVR	ACTIVE	SOT-23	DBV	6	3000	Green (RoHS & no Sb/Br)	CU NIPDAU	Level-1-260C-UNLIM
TPS3806I33DBVRG4	ACTIVE	SOT-23	DBV	6	3000	Green (RoHS & no Sb/Br)	CU NIPDAU	Level-1-260C-UNLIM
TPS3806I33DBVT	ACTIVE	SOT-23	DBV	6	250	Green (RoHS & no Sb/Br)	CU NIPDAU	Level-1-260C-UNLIM
TPS3806I33DBVTG4	ACTIVE	SOT-23	DBV	6	250	Green (RoHS & no Sb/Br)	CU NIPDAU	Level-1-260C-UNLIM
TPS3806J20DBVR	ACTIVE	SOT-23	DBV	6	3000	Green (RoHS & no Sb/Br)	CU NIPDAU	Level-1-260C-UNLIM
TPS3806J20DBVRG4	ACTIVE	SOT-23	DBV	6	3000	Green (RoHS & no Sb/Br)	CU NIPDAU	Level-1-260C-UNLIM
TPS3806J20DBVT	ACTIVE	SOT-23	DBV	6	250	Green (RoHS & no Sb/Br)	CU NIPDAU	Level-1-260C-UNLIM
TPS3806J20DBVTG4	ACTIVE	SOT-23	DBV	6	250	Green (RoHS & no Sb/Br)	CU NIPDAU	Level-1-260C-UNLIM

<sup>(1)</sup> The marketing status values are defined as follows:

**ACTIVE:** Product device recommended for new designs.

**LIFEBUY:** TI has announced that the device will be discontinued, and a lifetime-buy period is in effect.

**NRND:** Not recommended for new designs. Device is in production to support existing customers, but TI does not recommend using this part in a new design.

**PREVIEW:** Device has been announced but is not in production. Samples may or may not be available.

**OBSOLETE:** TI has discontinued the production of the device.

<sup>(2)</sup> Eco Plan - The planned eco-friendly classification: Pb-Free (RoHS), Pb-Free (RoHS Exempt), or Green (RoHS & no Sb/Br) - please check <http://www.ti.com/productcontent> for the latest availability information and additional product content details.

**TBD:** The Pb-Free/Green conversion plan has not been defined.

**Pb-Free (RoHS):** TI's terms "Lead-Free" or "Pb-Free" mean semiconductor products that are compatible with the current RoHS requirements for all 6 substances, including the requirement that lead not exceed 0.1% by weight in homogeneous materials. Where designed to be soldered at high temperatures, TI Pb-Free products are suitable for use in specified lead-free processes.

**Pb-Free (RoHS Exempt):** This component has a RoHS exemption for either 1) lead-based flip-chip solder bumps used between the die and package, or 2) lead-based die adhesive used between the die and leadframe. The component is otherwise considered Pb-Free (RoHS compatible) as defined above.

**Green (RoHS & no Sb/Br):** TI defines "Green" to mean Pb-Free (RoHS compatible), and free of Bromine (Br) and Antimony (Sb) based flame retardants (Br or Sb do not exceed 0.1% by weight in homogeneous material)

<sup>(3)</sup> MSL, Peak Temp. -- The Moisture Sensitivity Level rating according to the JEDEC industry standard classifications, and peak solder temperature.

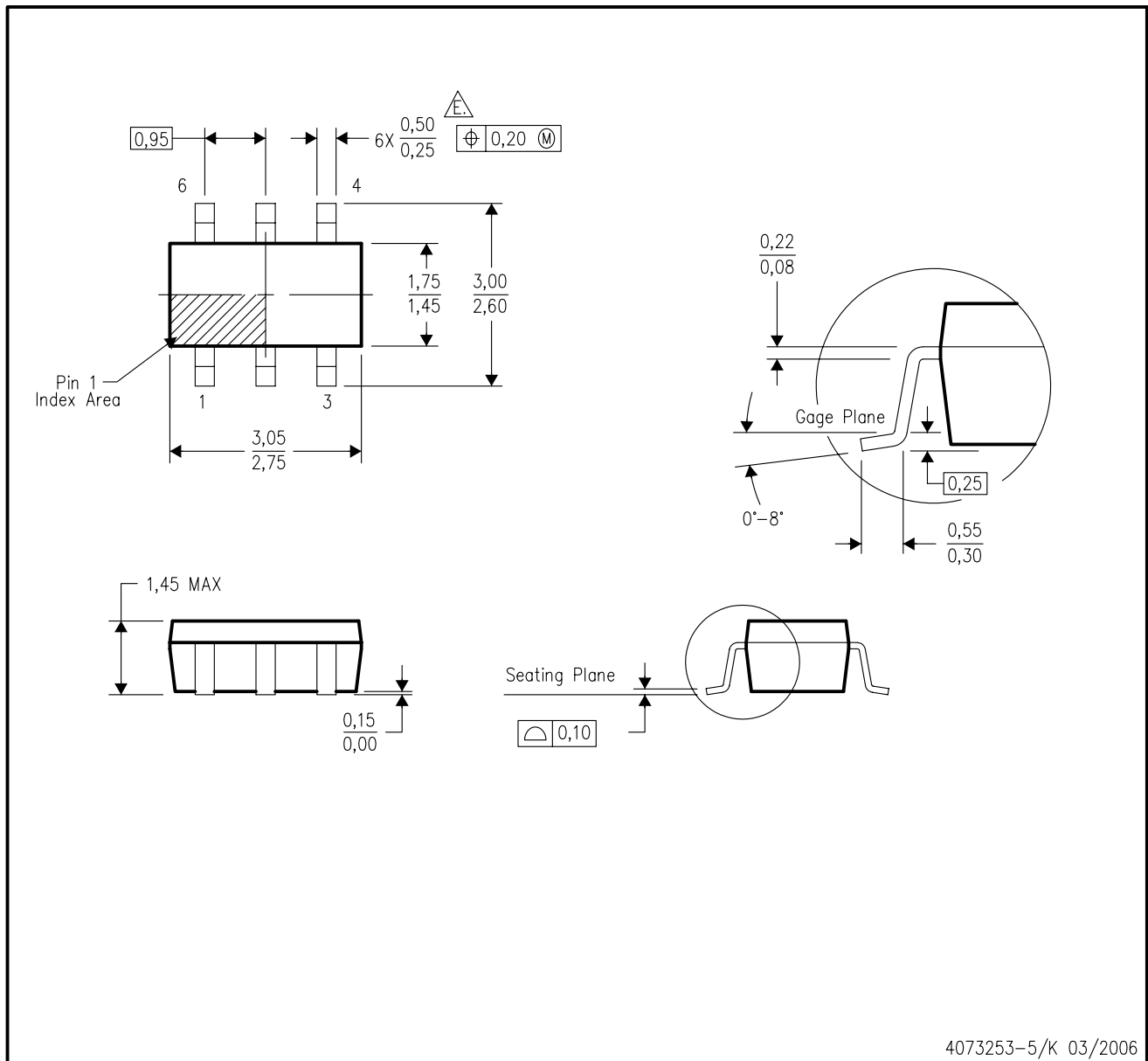
**Important Information and Disclaimer:**The information provided on this page represents TI's knowledge and belief as of the date that it is provided. TI bases its knowledge and belief on information provided by third parties, and makes no representation or warranty as to the accuracy of such information. Efforts are underway to better integrate information from third parties. TI has taken and continues to take reasonable steps to provide representative and accurate information but may not have conducted destructive testing or chemical analysis on incoming materials and chemicals. TI and TI suppliers consider certain information to be proprietary, and thus CAS numbers and other limited information may not be available for release.

In no event shall TI's liability arising out of such information exceed the total purchase price of the TI part(s) at issue in this document sold by TI to Customer on an annual basis.



DBV (R-PDSO-G6)

PLASTIC SMALL-OUTLINE PACKAGE



- NOTES:
- A. All linear dimensions are in millimeters.
  - B. This drawing is subject to change without notice.
  - C. Body dimensions do not include mold flash or protrusion. Mold flash and protrusion shall not exceed 0.15 per side.
  - D. Leads 1,2,3 may be wider than leads 4,5,6 for package orientation.
- $\triangle$  Falls within JEDEC MO-178 Variation AB, except minimum lead width.

## IMPORTANT NOTICE

Texas Instruments Incorporated and its subsidiaries (TI) reserve the right to make corrections, modifications, enhancements, improvements, and other changes to its products and services at any time and to discontinue any product or service without notice. Customers should obtain the latest relevant information before placing orders and should verify that such information is current and complete. All products are sold subject to TI's terms and conditions of sale supplied at the time of order acknowledgment.

TI warrants performance of its hardware products to the specifications applicable at the time of sale in accordance with TI's standard warranty. Testing and other quality control techniques are used to the extent TI deems necessary to support this warranty. Except where mandated by government requirements, testing of all parameters of each product is not necessarily performed.

TI assumes no liability for applications assistance or customer product design. Customers are responsible for their products and applications using TI components. To minimize the risks associated with customer products and applications, customers should provide adequate design and operating safeguards.

TI does not warrant or represent that any license, either express or implied, is granted under any TI patent right, copyright, mask work right, or other TI intellectual property right relating to any combination, machine, or process in which TI products or services are used. Information published by TI regarding third-party products or services does not constitute a license from TI to use such products or services or a warranty or endorsement thereof. Use of such information may require a license from a third party under the patents or other intellectual property of the third party, or a license from TI under the patents or other intellectual property of TI.

Reproduction of information in TI data books or data sheets is permissible only if reproduction is without alteration and is accompanied by all associated warranties, conditions, limitations, and notices. Reproduction of this information with alteration is an unfair and deceptive business practice. TI is not responsible or liable for such altered documentation.

Resale of TI products or services with statements different from or beyond the parameters stated by TI for that product or service voids all express and any implied warranties for the associated TI product or service and is an unfair and deceptive business practice. TI is not responsible or liable for any such statements.

Following are URLs where you can obtain information on other Texas Instruments products and application solutions:

<b>Products</b>		<b>Applications</b>	
Amplifiers	<a href="http://amplifier.ti.com">amplifier.ti.com</a>	Audio	<a href="http://www.ti.com/audio">www.ti.com/audio</a>
Data Converters	<a href="http://dataconverter.ti.com">dataconverter.ti.com</a>	Automotive	<a href="http://www.ti.com/automotive">www.ti.com/automotive</a>
DSP	<a href="http://dsp.ti.com">dsp.ti.com</a>	Broadband	<a href="http://www.ti.com/broadband">www.ti.com/broadband</a>
Interface	<a href="http://interface.ti.com">interface.ti.com</a>	Digital Control	<a href="http://www.ti.com/digitalcontrol">www.ti.com/digitalcontrol</a>
Logic	<a href="http://logic.ti.com">logic.ti.com</a>	Military	<a href="http://www.ti.com/military">www.ti.com/military</a>
Power Mgmt	<a href="http://power.ti.com">power.ti.com</a>	Optical Networking	<a href="http://www.ti.com/opticalnetwork">www.ti.com/opticalnetwork</a>
Microcontrollers	<a href="http://microcontroller.ti.com">microcontroller.ti.com</a>	Security	<a href="http://www.ti.com/security">www.ti.com/security</a>
Low Power Wireless	<a href="http://www.ti.com/lpw">www.ti.com/lpw</a>	Telephony	<a href="http://www.ti.com/telephony">www.ti.com/telephony</a>
		Video & Imaging	<a href="http://www.ti.com/video">www.ti.com/video</a>
		Wireless	<a href="http://www.ti.com/wireless">www.ti.com/wireless</a>

Mailing Address: Texas Instruments  
Post Office Box 655303 Dallas, Texas 75265