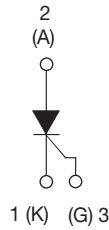




Thyristor High Voltage, Phase Control SCR, 40 A



TO-247AC



FEATURES

- Designed and qualified according to JEDEC®-JESD 47
- Low I_{GT} parts available
- 125 °C max. operating junction temperature
- Material categorization: for definitions of compliance please see www.vishay.com/doc?99912



RoHS
COMPLIANT
HALOGEN
FREE
Available

APPLICATIONS

- Typical usage is in input rectification crowbar (soft start) and AC switch motor control, UPS, welding and battery charge

DESCRIPTION

The VS-40TPS... high voltage series of silicon controlled rectifiers are specifically designed for medium power switching and phase control applications. The glass passivation technology used has reliable operation up to 125 °C junction temperature.

| PRODUCT SUMMARY | |
|-------------------|-------------------|
| Package | TO-247AC |
| Diode variation | Single SCR |
| $I_{T(AV)}$ | 35 A |
| V_{DRM}/V_{RRM} | 800 V, 1200 V |
| V_{TM} | 1.45 V |
| I_{GT} | 150 mA |
| T_J | -40 °C to +125 °C |

| MAJOR RATINGS AND CHARACTERISTICS | | | |
|-----------------------------------|----------------------------|-------------|------------|
| PARAMETER | TEST CONDITIONS | VALUES | UNITS |
| $I_{T(AV)}$ | Sinusoidal waveform | 35 | A |
| I_{RMS} | | 55 | |
| V_{RRM}/V_{DRM} | | 800/1200 | V |
| I_{TSM} | | 600 | A |
| V_T | 40 A, $T_J = 25\text{ °C}$ | 1.45 | V |
| dV/dt | | 1000 | V/ μ s |
| dI/dt | | 100 | A/ μ s |
| T_J | | -40 to +125 | °C |

| VOLTAGE RATINGS | | | |
|--------------------------------|--|--|-----------------------------------|
| PART NUMBER | V_{RRM}/V_{DRM} , MAXIMUM REPETITIVE PEAK AND OFF-STATE VOLTAGE V | V_{RSM} , MAXIMUM NON-REPETITIVE PEAK REVERSE VOLTAGE V | I_{RRM}/I_{DRM} AT 125 °C mA |
| VS-40TPS08APbF, VS-40TPS08A-M3 | 800 | 900 | 10 |
| VS-40TPS08PbF, VS-40TPS08-M3 | 800 | 900 | |
| VS-40TPS12APbF, VS-40TPS12A-M3 | 1200 | 1300 | |
| VS-40TPS12PbF, VS-40TPS12-M3 | 1200 | 1300 | |



| ABSOLUTE MAXIMUM RATINGS | | | | | |
|--|-------------------|---|---------------------------------------|--------|-------------------|
| PARAMETER | SYMBOL | TEST CONDITIONS | | VALUES | UNITS |
| Maximum average on-state current | $I_{T(AV)}$ | $T_C = 79\text{ }^\circ\text{C}$, 180° conduction half sine wave | | 35 | A |
| Maximum continuous RMS on-state current as AC switch | $I_{T(RMS)}$ | | | 55 | |
| Maximum peak, one-cycle non-repetitive surge current | I_{TSM} | 10 ms sine pulse, rated V_{RRM} applied | Initial $T_J = T_{J\text{ max.}}$ | 500 | |
| | | 10 ms sine pulse, no voltage reapplied | | 600 | |
| Maximum I^2t for fusing | I^2t | 10 ms sine pulse, rated V_{RRM} applied | | 1250 | A ² s |
| | | 10 ms sine pulse, no voltage reapplied | | 1760 | |
| Maximum $I^2\sqrt{t}$ for fusing | $I^2\sqrt{t}$ | t = 0.1 ms to 10 ms, no voltage reapplied | | 17 600 | A ² √s |
| Low level value of threshold voltage | $V_{T(TO)1}$ | $T_J = 125\text{ }^\circ\text{C}$ | | 1.02 | V |
| High level value of threshold voltage | $V_{T(TO)2}$ | | | 1.23 | |
| Low level value of on-state slope resistance | r_{t1} | | | 9.74 | mΩ |
| High level value of on-state slope resistance | r_{t2} | | | 7.50 | |
| Maximum peak on-state voltage | V_{TM} | 110 A, $T_J = 25\text{ }^\circ\text{C}$ | | 1.85 | V |
| Maximum rate of rise of turned-on current | dI/dt | $T_J = 25\text{ }^\circ\text{C}$ | | 100 | A/μs |
| Maximum holding current | I_H | Anode supply = 6 V, resistive load, initial $T_J = 1\text{ A}$, $I_T = 25\text{ }^\circ\text{C}$ | | 200 | mA |
| Maximum latching current | I_L | Anode supply = 6 V, resistive load, $T_J = 25\text{ }^\circ\text{C}$ | | 300 | |
| Maximum reverse and direct leakage current | I_{RRM}/I_{DRM} | $T_J = 25\text{ }^\circ\text{C}$ | $V_R = \text{Rated } V_{RRM}/V_{DRM}$ | 0.5 | |
| | | $T_J = 125\text{ }^\circ\text{C}$ | | 10 | |
| Maximum rate of rise of off-state voltage 40TPS12A | dV/dt | $T_J = T_{J\text{ maximum}}$, linear to 80 % V_{DRM} , $R_{g-k} = 100\text{ }^\circ\Omega$ | | 500 | V/μs |
| Maximum rate of rise of off-state voltage 40TPS12 | | | | 1000 | |

| TRIGGERING | | | | | |
|---|-------------|--|-----------------------------------|--------|-------|
| PARAMETER | SYMBOL | TEST CONDITIONS | | VALUES | UNITS |
| Maximum peak gate power | P_{GM} | | | 10 | W |
| Maximum average gate power | $P_{G(AV)}$ | | | 2.5 | |
| Maximum peak gate current | I_{GM} | | | 2.5 | A |
| Maximum peak negative gate voltage | $-V_{GM}$ | | | 10 | V |
| Maximum required DC gate voltage to trigger | V_{GT} | $T_J = -40\text{ }^\circ\text{C}$ | Anode supply = 6 V resistive load | 4.0 | V |
| | | $T_J = 25\text{ }^\circ\text{C}$ | | 2.5 | |
| | | $T_J = 125\text{ }^\circ\text{C}$ | | 1.7 | |
| Maximum required DC gate current to trigger | I_{GT} | $T_J = -40\text{ }^\circ\text{C}$ | Anode supply = 6 V resistive load | 270 | mA |
| | | $T_J = 25\text{ }^\circ\text{C}$ | | 150 | |
| | | $T_J = 125\text{ }^\circ\text{C}$ | | 80 | |
| | | $T_J = 25\text{ }^\circ\text{C}$, for 40TPS08APbF and 40TPS12APbF | | 40 | |
| Maximum DC gate voltage not to trigger for 40TPS12 | V_{GD} | $T_J = 125\text{ }^\circ\text{C}$, $V_{DRM} = \text{Rated value}$ | | 0.25 | V |
| Maximum DC gate current not to trigger for 40TPS12 | I_{GD} | | | 6 | mA |
| Maximum DC gate voltage not to trigger for 40TPS12A | V_{GD} | $T_J = 125\text{ }^\circ\text{C}$, $V_{DRM} = \text{Rated value}$ | | 0.15 | V |
| Maximum DC gate current not to trigger for 40TPS12A | I_{GD} | | | 1 | mA |



| THERMAL AND MECHANICAL SPECIFICATIONS | | | | |
|---|--------------------|--------------------------------------|-------------|------------------------|
| PARAMETER | SYMBOL | TEST CONDITIONS | VALUES | UNITS |
| Maximum junction and storage temperature range | T_J, T_{Stg} | | -40 to +125 | °C |
| Maximum thermal resistance, junction to case | R_{thJC} | DC operation | 0.6 | °C/W |
| Maximum thermal resistance, junction to ambient | R_{thJA} | | 40 | |
| Maximum thermal resistance, case to heatsink | R_{thCS} | Mounting surface, smooth and greased | 0.2 | |
| Approximate weight | | | 6 | g |
| | | | 0.21 | oz. |
| Mounting torque | minimum maximum | | 6 (5) | kgf · cm (lbf · in) |
| | | | 12 (10) | |
| Marking device | | Case style TO-247AC | 40TPS08A | |
| | | | 40TPS12A | |
| | | | 40TPS08 | |
| | | | 40TPS12 | |

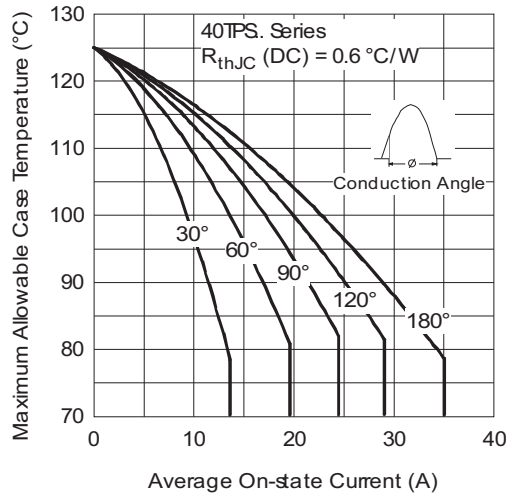


Fig. 1 - Current Rating Characteristics

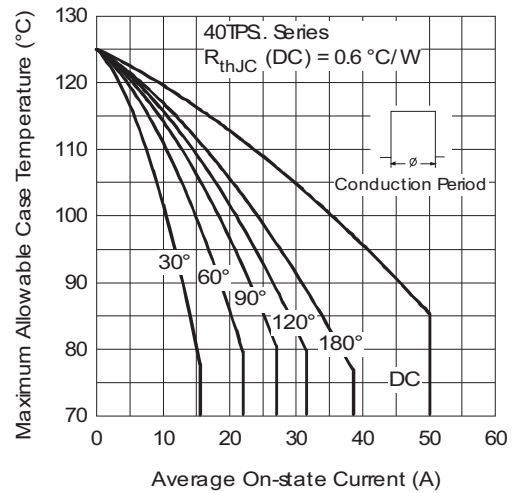


Fig. 2 - Current Rating Characteristics

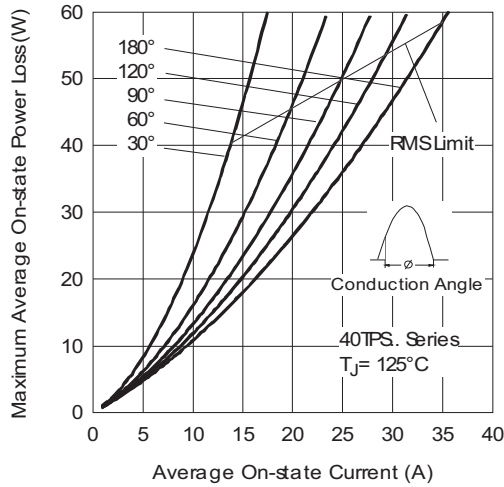


Fig. 3 - On-State Power Loss Characteristics

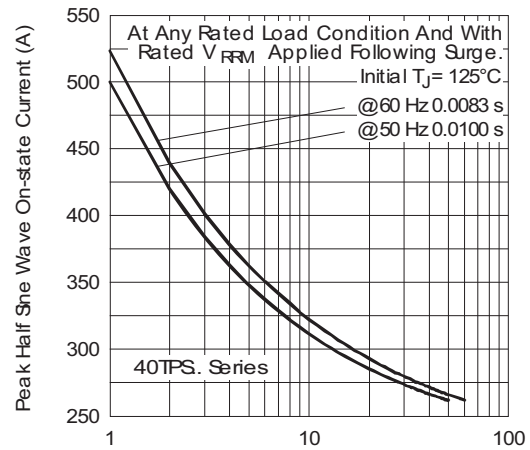


Fig. 5 - Maximum Non-Repetitive Surge Current

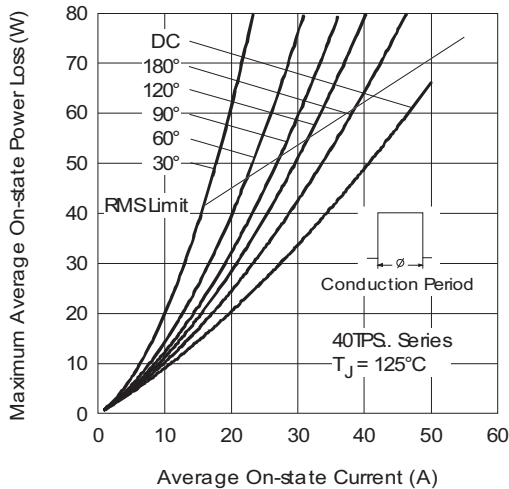


Fig. 4 - On-State Power Loss Characteristics

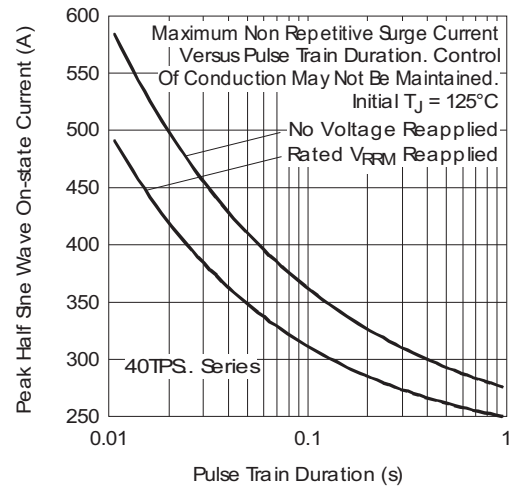


Fig. 6 - Maximum Non-Repetitive Surge Current

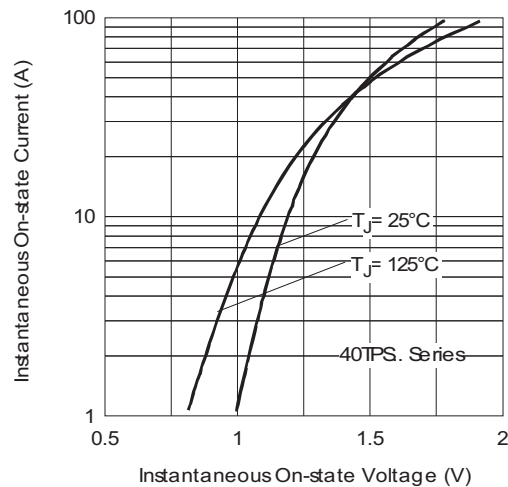


Fig. 7 - On-State Voltage Drop Characteristics

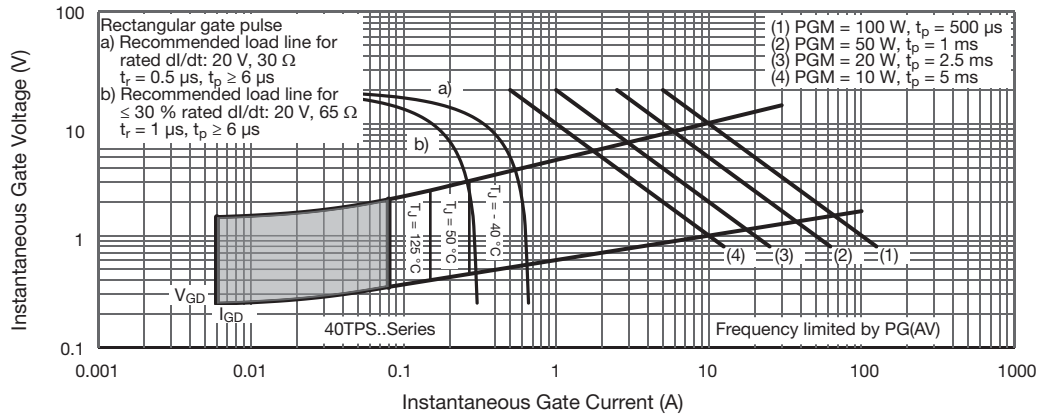


Fig. 8 - Gate Characteristics

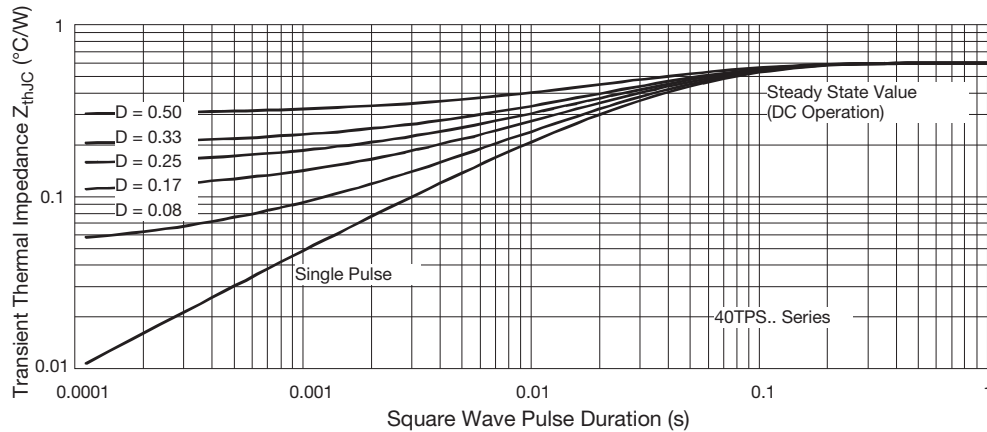
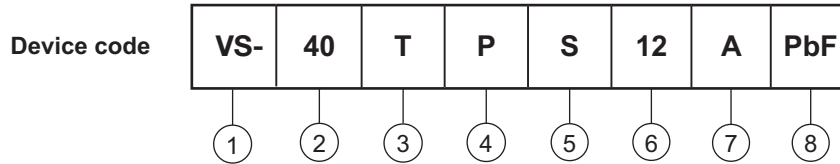


Fig. 9 - Thermal Impedance Z_{thJC} Characteristics



ORDERING INFORMATION TABLE



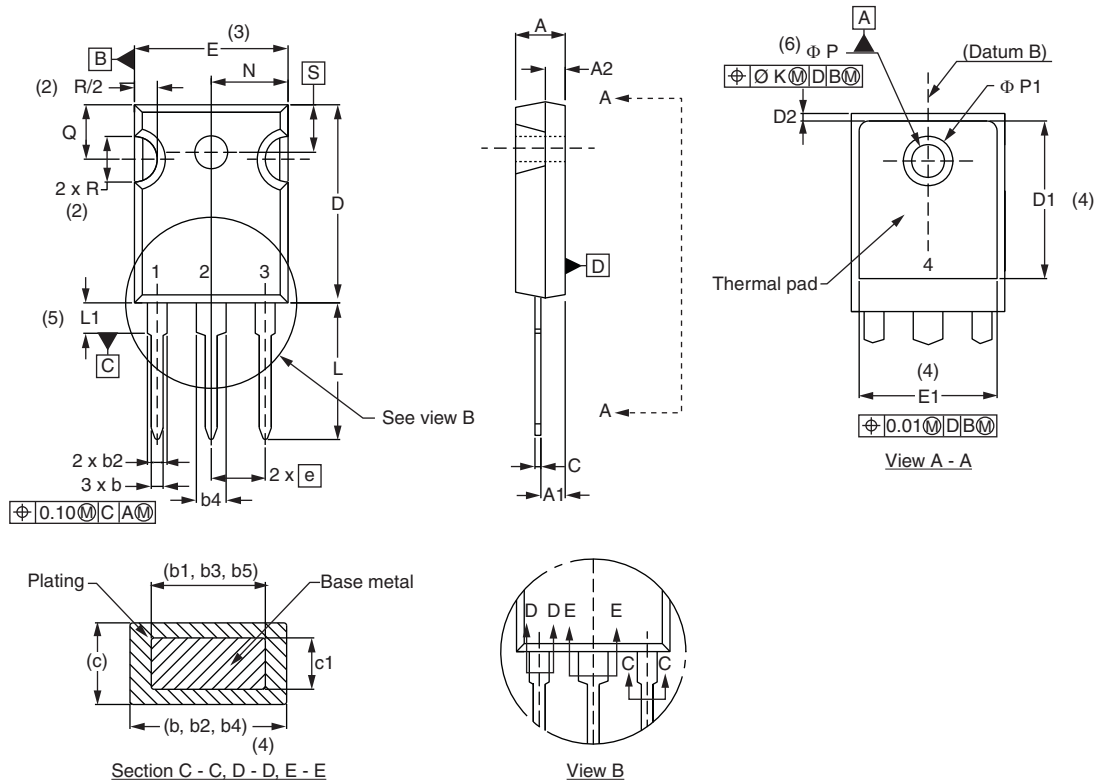
- 1** - Vishay Semiconductors product
- 2** - Current rating (40 = 40 A)
- 3** - Circuit configuration:
T = Thyristor
- 4** - Package:
P = TO-247
- 5** - Type of silicon:
S = Standard recovery rectifier
- 6** - Voltage ratings 08 = 800 V
12 = 1200 V
- 7** -
 - A = Low Igt selection 40 mA maximum
 - None = Standard Igt selection
- 8** - Environmental digit:
PbF = Lead (Pb)-free and RoHS compliant
-M3 = Halogen-free, RoHS compliant, and terminations lead (Pb)-free

| ORDERING INFORMATION (Example) | | | |
|--------------------------------|------------------|------------------------|--------------------------|
| PREFERRED P/N | QUANTITY PER T/R | MINIMUM ORDER QUANTITY | PACKAGING DESCRIPTION |
| VS-40TPS08APbF | 25 | 500 | Antistatic plastic tubes |
| VS-40TPS08A-M3 | 25 | 500 | Antistatic plastic tubes |
| VS-40TPS08PbF | 25 | 500 | Antistatic plastic tubes |
| VS-40TPS08-M3 | 25 | 500 | Antistatic plastic tubes |
| VS-40TPS12APbF | 25 | 500 | Antistatic plastic tubes |
| VS-40TPS12A-M3 | 25 | 500 | Antistatic plastic tubes |
| VS-40TPS12PbF | 25 | 500 | Antistatic plastic tubes |
| VS-40TPS12-M3 | 25 | 500 | Antistatic plastic tubes |

| LINKS TO RELATED DOCUMENTS | | |
|----------------------------|--------------|--|
| Dimensions | | www.vishay.com/doc?95542 |
| Part marking information | TO-247AC PbF | www.vishay.com/doc?95226 |
| | TO-247AC-M3 | www.vishay.com/doc?95007 |

TO-247

DIMENSIONS in millimeters and inches



| SYMBOL | MILLIMETERS | | INCHES | | NOTES | SYMBOL | MILLIMETERS | | INCHES | | NOTES |
|--------|-------------|-------|--------|-------|-------|-----------|-------------|-------|-----------|-------|-------|
| | MIN. | MAX. | MIN. | MAX. | | | MIN. | MAX. | MIN. | MAX. | |
| A | 4.65 | 5.31 | 0.183 | 0.209 | | D2 | 0.51 | 1.30 | 0.020 | 0.051 | |
| A1 | 2.21 | 2.59 | 0.087 | 0.102 | | E | 15.29 | 15.87 | 0.602 | 0.625 | 3 |
| A2 | 1.50 | 2.49 | 0.059 | 0.098 | | E1 | 13.72 | - | 0.540 | - | |
| b | 0.99 | 1.40 | 0.039 | 0.055 | | e | 5.46 BSC | | 0.215 BSC | | |
| b1 | 0.99 | 1.35 | 0.039 | 0.053 | | ϕK | 2.54 | | 0.010 | | |
| b2 | 1.65 | 2.39 | 0.065 | 0.094 | | L | 14.20 | 16.10 | 0.559 | 0.634 | |
| b3 | 1.65 | 2.34 | 0.065 | 0.092 | | L1 | 3.71 | 4.29 | 0.146 | 0.169 | |
| b4 | 2.59 | 3.43 | 0.102 | 0.135 | | N | 7.62 BSC | | 0.3 | | |
| b5 | 2.59 | 3.38 | 0.102 | 0.133 | | ϕP | 3.56 | 3.66 | 0.14 | 0.144 | |
| c | 0.38 | 0.89 | 0.015 | 0.035 | | $\phi P1$ | - | 6.98 | - | 0.275 | |
| c1 | 0.38 | 0.84 | 0.015 | 0.033 | | Q | 5.31 | 5.69 | 0.209 | 0.224 | |
| D | 19.71 | 20.70 | 0.776 | 0.815 | 3 | R | 4.52 | 5.49 | 0.178 | 0.216 | |
| D1 | 13.08 | - | 0.515 | - | 4 | S | 5.51 BSC | | 0.217 BSC | | |

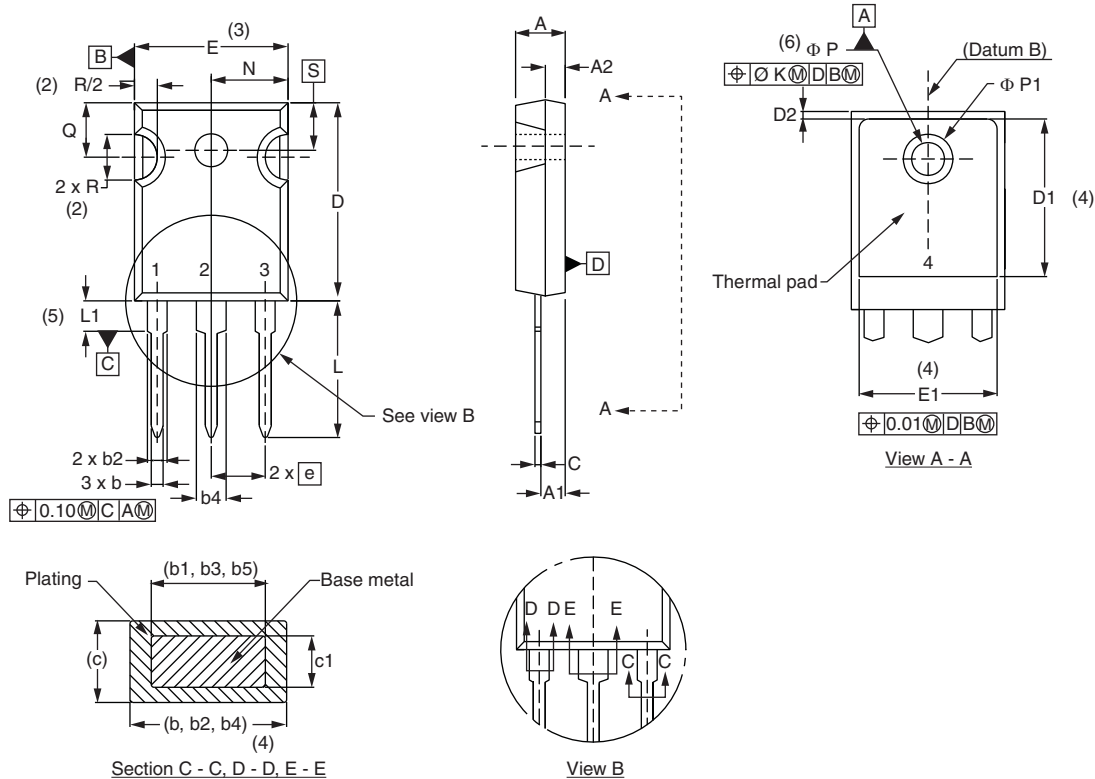
Notes

- (1) Dimensioning and tolerancing per ASME Y14.5M-1994
- (2) Contour of slot optional
- (3) Dimension D and E do not include mold flash. Mold flash shall not exceed 0.127 mm (0.005") per side. These dimensions are measured at the outermost extremes of the plastic body
- (4) Thermal pad contour optional with dimensions D1 and E1
- (5) Lead finish uncontrolled in L1
- (6) ϕP to have a maximum draft angle of 1.5 to the top of the part with a maximum hole diameter of 3.91 mm (0.154")
- (7) Outline conforms to JEDEC® outline TO-247 with exception of dimension c



TO-247 - 50 mils L/F

DIMENSIONS in millimeters and inches



| SYMBOL | MILLIMETERS | | INCHES | | NOTES | SYMBOL | MILLIMETERS | | INCHES | | NOTES |
|--------|-------------|-------|--------|-------|-------|--------|-------------|-------|-----------|-------|-------|
| | MIN. | MAX. | MIN. | MAX. | | | MIN. | MAX. | MIN. | MAX. | |
| A | 4.65 | 5.31 | 0.183 | 0.209 | | D2 | 0.51 | 1.35 | 0.020 | 0.053 | |
| A1 | 2.21 | 2.59 | 0.087 | 0.102 | | E | 15.29 | 15.87 | 0.602 | 0.625 | 3 |
| A2 | 1.17 | 1.37 | 0.046 | 0.054 | | E1 | 13.46 | - | 0.53 | - | |
| b | 0.99 | 1.40 | 0.039 | 0.055 | | e | 5.46 BSC | | 0.215 BSC | | |
| b1 | 0.99 | 1.35 | 0.039 | 0.053 | | Ø K | 0.254 | | 0.010 | | |
| b2 | 1.65 | 2.39 | 0.065 | 0.094 | | L | 14.20 | 16.10 | 0.559 | 0.634 | |
| b3 | 1.65 | 2.34 | 0.065 | 0.092 | | L1 | 3.71 | 4.29 | 0.146 | 0.169 | |
| b4 | 2.59 | 3.43 | 0.102 | 0.135 | | N | 7.62 BSC | | 0.3 | | |
| b5 | 2.59 | 3.38 | 0.102 | 0.133 | | Ø P | 3.56 | 3.66 | 0.14 | 0.144 | |
| c | 0.38 | 0.89 | 0.015 | 0.035 | | Ø P1 | - | 7.39 | - | 0.291 | |
| c1 | 0.38 | 0.84 | 0.015 | 0.033 | | Q | 5.31 | 5.69 | 0.209 | 0.224 | |
| D | 19.71 | 20.70 | 0.776 | 0.815 | 3 | R | 4.52 | 5.49 | 0.178 | 0.216 | |
| D1 | 13.08 | - | 0.515 | - | 4 | S | 5.51 BSC | | 0.217 BSC | | |

Notes

- (1) Dimensioning and tolerancing per ASME Y14.5M-1994
- (2) Contour of slot optional
- (3) Dimension D and E do not include mold flash. Mold flash shall not exceed 0.127 mm (0.005") per side. These dimensions are measured at the outermost extremes of the plastic body
- (4) Thermal pad contour optional with dimensions D1 and E1
- (5) Lead finish uncontrolled in L1
- (6) Ø P to have a maximum draft angle of 1.5 to the top of the part with a maximum hole diameter of 3.91 mm (0.154")
- (7) Outline conforms to JEDEC® outline TO-247 with exception of dimension c and Q



Disclaimer

ALL PRODUCT, PRODUCT SPECIFICATIONS AND DATA ARE SUBJECT TO CHANGE WITHOUT NOTICE TO IMPROVE RELIABILITY, FUNCTION OR DESIGN OR OTHERWISE.

Vishay Intertechnology, Inc., its affiliates, agents, and employees, and all persons acting on its or their behalf (collectively, "Vishay"), disclaim any and all liability for any errors, inaccuracies or incompleteness contained in any datasheet or in any other disclosure relating to any product.

Vishay makes no warranty, representation or guarantee regarding the suitability of the products for any particular purpose or the continuing production of any product. To the maximum extent permitted by applicable law, Vishay disclaims (i) any and all liability arising out of the application or use of any product, (ii) any and all liability, including without limitation special, consequential or incidental damages, and (iii) any and all implied warranties, including warranties of fitness for particular purpose, non-infringement and merchantability.

Statements regarding the suitability of products for certain types of applications are based on Vishay's knowledge of typical requirements that are often placed on Vishay products in generic applications. Such statements are not binding statements about the suitability of products for a particular application. It is the customer's responsibility to validate that a particular product with the properties described in the product specification is suitable for use in a particular application. Parameters provided in datasheets and/or specifications may vary in different applications and performance may vary over time. All operating parameters, including typical parameters, must be validated for each customer application by the customer's technical experts. Product specifications do not expand or otherwise modify Vishay's terms and conditions of purchase, including but not limited to the warranty expressed therein.

Except as expressly indicated in writing, Vishay products are not designed for use in medical, life-saving, or life-sustaining applications or for any other application in which the failure of the Vishay product could result in personal injury or death. Customers using or selling Vishay products not expressly indicated for use in such applications do so at their own risk. Please contact authorized Vishay personnel to obtain written terms and conditions regarding products designed for such applications.

No license, express or implied, by estoppel or otherwise, to any intellectual property rights is granted by this document or by any conduct of Vishay. Product names and markings noted herein may be trademarks of their respective owners.

Material Category Policy

Vishay Intertechnology, Inc. hereby certifies that all its products that are identified as RoHS-Compliant fulfill the definitions and restrictions defined under Directive 2011/65/EU of The European Parliament and of the Council of June 8, 2011 on the restriction of the use of certain hazardous substances in electrical and electronic equipment (EEE) - recast, unless otherwise specified as non-compliant.

Please note that some Vishay documentation may still make reference to RoHS Directive 2002/95/EC. We confirm that all the products identified as being compliant to Directive 2002/95/EC conform to Directive 2011/65/EU.

Vishay Intertechnology, Inc. hereby certifies that all its products that are identified as Halogen-Free follow Halogen-Free requirements as per JEDEC JS709A standards. Please note that some Vishay documentation may still make reference to the IEC 61249-2-21 definition. We confirm that all the products identified as being compliant to IEC 61249-2-21 conform to JEDEC JS709A standards.